



## **PRESSURE-FLO**

---

Instruction Manual

---

Mode d'emploi

---

Bedienungsanleitung

---

Manual de instrucciones

---

Manual de instruções

---

Handleiding

---



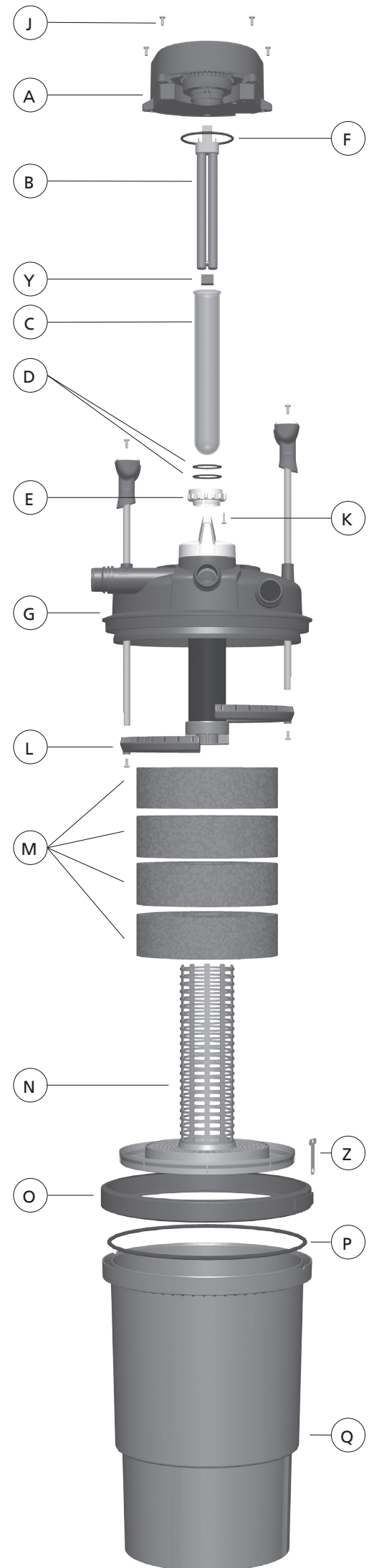
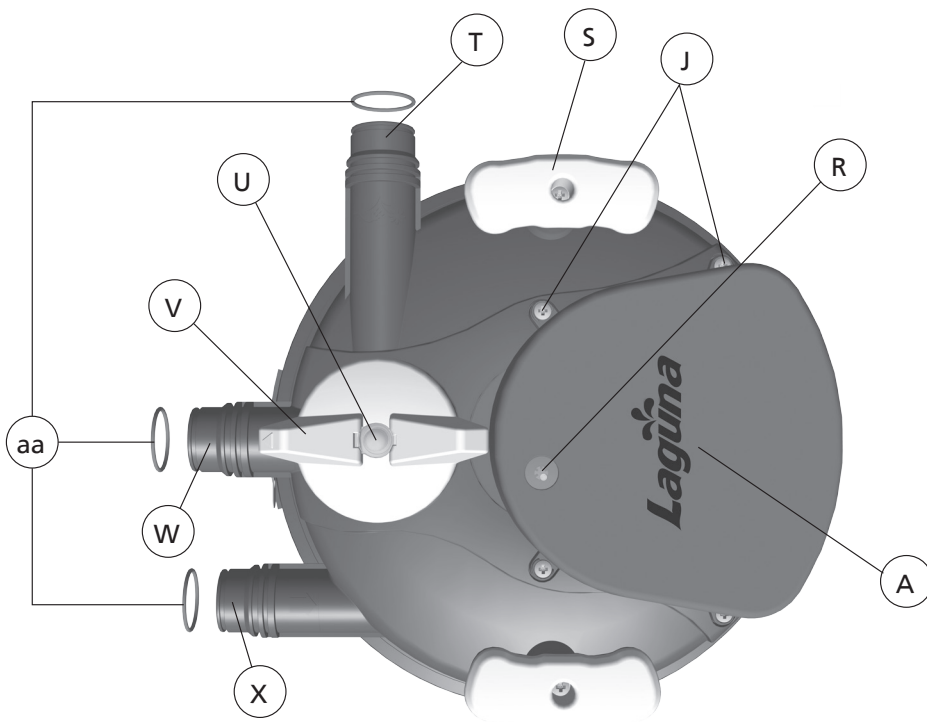
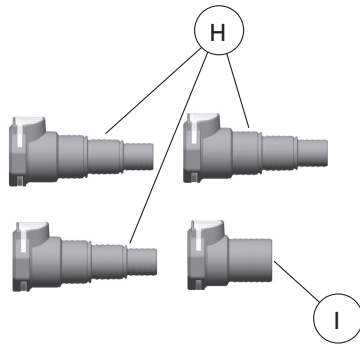
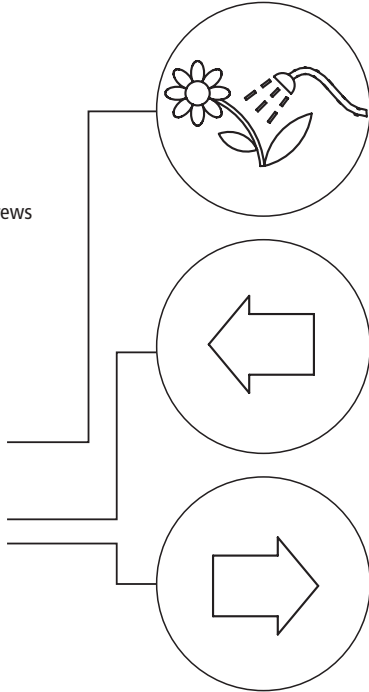
*Beautifully simple water gardening*

*Aménager un bassin de jardin : merveilleusement simple • Herrlich einfacher Wassergarten • Perfecto para la jardinería acuática  
Jardim de água maravilhosamente simples • Een watertuin inrichten: wonderbaarlijk eenvoudig*

# English Instructions

Refer to these illustrations when reading instruction manual.

- A UV-C Head
- B UV-C Lamp
- C Quartz Sleeve
- D O-Rings
- E Retaining Flange
- F UV-C Head O-Ring
- G Filter Lid
- H Universal Click-Fit
- I Sealing Cap Click-Fit
- J Head Screws
- K Quartz Sleeve Flange Screws
- L Foam Cleaning Blades
- M Foam Filters
- N Foam Support Frame
- O Lid Clamp
- P Filter Lid O-Ring
- Q Filter Case
- R Lamp Indicator
- S Cleaning Handles
- T Drain Outlet
- U Cleaning Indicator
- V Mode Selector Switch
- W Water Outlet
- X Water Inlet
- Y Lamp Damper
- Z Safety lock
- aa Rubber O-Rings



**POND FILTER WITH INTEGRATED UVC UNIT**  
**For freshwater use only; Read thoroughly prior to installation and operation**

**IMPORTANT SAFETY INSTRUCTIONS**

**WARNING: To guard against injury, basic safety precautions should be observed, including the following:**

1. READ AND FOLLOW ALL SAFETY INSTRUCTIONS and all the important notices on the use and maintenance of this appliance. Disregarding this advice may result in damage to the appliance or personal injury.
  - DANGER – To avoid possible electric shock, special care should be taken since water is employed in the use of pond equipment. For each of the following situations, do not attempt repairs yourself; return the appliance to the store where it was purchased if still under warranty:
  - This is a weather-proof but NOT a submersible product. Do not immerse the product in water! If the appliance falls into the water, DON'T reach for it. First unplug it and then retrieve it.
2. Prior to installing the unit, check the quartz glass sleeve and the UV-C lamp have not been damaged during transportation, as the UV lamp (B) and the quartz sleeve (C) are made of glass. Handle them with care. Do not handle UV lamp with bare hands as this will impede its performance.
  - If the appliance shows any sign of abnormal water leakage or if RCD (or GFCI-Ground Fault Current Interrupter) switches off, disconnect the power supply cord from mains (main power supply).
  - Carefully examine the appliance after installation. It should not be plugged in if there is water on parts not intended to be wet. If electrical components of the appliance get wet, unplug the appliance immediately.
  - Do not operate any appliance if it has a damaged cord or plug, if it is malfunctioning or if it is dropped or damaged in any manner. The power cord of this appliance is a special cord; if it is damaged, it must be replaced by an authorized Laguna service facility or similar qualified person in order to avoid any hazard. Never cut the cord.
3. WARNING – This appliance contains a UV-C emitter. Direct exposure to UV-C can damage eyes and skin. Do not operate the UV-C emitter when it is removed from the appliance enclosure.
4. WARNING – This appliance can be used by children aged 8 years and above, persons with reduced physical, sensory or mental capabilities or lack of experience and knowledge if they have been given supervision or instruction concerning use of the appliance in a safe way and understand the hazards involved. Children shall not play with the appliance. Cleaning and user maintenance shall not be made by children without supervision.
5. To avoid injury, do not touch moving parts or hot parts.
6. CAUTION – Always unplug or disconnect all appliances in the pond from the electrical supply before placing hands in water, before putting on or taking off parts and while the equipment is being installed, maintained or handled. Never yank the cord to pull the plug from outlet. Grasp the plug and pull to disconnect. Always unplug an appliance from an outlet when not in use.
7. This is a Filter unit complete with integrated UV sterilizer for outdoor fresh water garden ponds. Do not use this appliance for other than its intended use. Unintended use of the appliance or damage to the housing may result in the escape of dangerous UV-C radiation. UV-C radiation may, even in little doses, cause harm to the eyes and skin.
  - Do not use this product in swimming pools or other situations where people are immersed;
  - This product is suitable for use in water temps from 4 °C to 35 °C;
  - Do not use this product with inflammable or drinkable liquids.
  - The use of attachments not recommended or sold by the appliance manufacturer may cause an unsafe condition and will invalidate your warranty.
8. Do not install or store the appliance where it will be exposed to temperatures close to 0 °C (32 °F) or below. In freezing conditions, disconnect the power supply to

the filter and drain water from the filter canister. In winter, remove and store the appliance in a sheltered place.

9. Shelter appliance also from direct sunlight. The materials have high stability to sunlight but direct rays may overheat the motor and speed up insulator aging.
  - To avoid overheating, do not place objects on the filter.
  - This product should not be placed where it can fall into the water. Do not install it in an area where flooding can occur or where water can accumulate. It should be placed at least 1m/3.2 feet from the edge of the garden pond, in a dry and protected place, with sufficient ventilation around it. Be sure that there is enough room around it for maintenance operations.
10. IMPORTANT – The maximum operating pressure is 0.04 Mpa (0.4 Bar or 5.8 PSI). Do not connect power filter to the water mains.
11. Do not attempt to open the lid clamp (O) and lift the lid when the appliance and the filters are in operation. The lid clamp latch features a safety metal insert to prevent accidental opening.
12. If an extension cord is necessary, ensure connection is watertight and dust proof. A cord with proper rating should be used. A cord rated for less amperes or watts than the appliance rating may overheat. Care should be taken to ensure the cord will not be tripped over or pulled. The connection should be carried out by a qualified electrical installer.
13. IMPORTANT – Electrical connection must be in accordance with data on the rating label; the appliance can be operated only after having been correctly installed. The electrical safety is guaranteed only when the item is connected to a residual current device (RCD) or Ground Fault Circuit Interrupter (GFCI) having a rated residual operating current not exceeding 30 mA.
14. WARNING – Do not connect power to filter unless filter is fully and correctly assembled. Never use the product without water. The filter must always be fully filled with water when operating.
15. WARNING – Risk of electric shock. This appliance is equipped with a grounded, type 3-wire cord (3-prong plug). This plug will only fit into an electrical outlet made for a 3-prong plug. This is a safety feature. If the plug should fail to fit the outlet, contact an electrician to replace the outlet. Do not attempt to defeat the safety purpose of the grounding pin part of the 3-prong plug. Ensure that it is connected only to a properly grounded RCD or GFCI equipped receptacle rated at 30mA.

WARNING – Do not bury cord. Locate cord to minimize damage from lawn mowers, hedge trimmers and other equipment. Permanent installations to the main power supply (hard wiring), must comply with local authority regulations, which may stipulate the use of plastic or metal conduit to protect the cable.

**SPECIAL INSTRUCTION FOR U.K.:**

**IMPORTANT** – This product is supplied without plug and is designed to be permanently wired to the mains supply; the connection must be made in a dry, weatherproof enclosure through the use of a double pole switched fused, incorporated in the fixed wiring in accordance with the wiring rules and having a contact separation in all poles that provided full disconnection under overvoltage category III, which complies to BS3676 fitted with a 3 amp fuse. The installation must conform to the regulations of the Local Electricity Authority which could include the use of plastic or metal conduit to protect the cable. A 30mA Residual Current Device (RCD) must be fitted to the mains supply.

**WARNING: THIS APPLIANCE MUST BE EARTHED. IMPORTANT** – The wires in the mains lead are coloured in accordance with the following code:

**BROWN-LIVE • BLUE-NEUTRAL • GREEN/YELLOW-EARTH**

- The Brown lead should be connected to the live terminal, which may be marked with an 'L' or coloured brown or red.
- The Blue lead should be connected to the Neutral terminal, which may be marked with an 'N' or coloured blue or black.
- The Green/Yellow lead should be connected to the Earth terminal which may be marked with an 'E' or coloured green or yellow.
- The cord should be protected from abrasion, cuts or any other damage.

**SAVE THESE INSTRUCTIONS FOR FUTURE REFERENCE**

Filter specifications		Pressure Flo 1000/3000	Pressure Flo 2000/6000	Pressure Flo 3000/10000	Pressure Flo 4000/14000
Unit size (diameter x Height)		ø11.2" - 13.7" H ø28,5 cm - 35 cm H	ø11.2" - 20" H ø28,5 cm - 51 cm H	ø14.3" - 20.6" H ø36,5 cm - 52,5 cm H	ø14.3" - 25.2" H ø36,5 cm - 64 cm H
Canister Height		9" (23 cm)	15.2" (38,5 cm)	15.7" (40 cm)	19.7" (50 cm)
Canister Volume		2.6 U.S. gal (10 l)	4.6 U.S. gal (17,5 l)	8.2 U.S. gal (31 l)	10.6 U.S. gal (40 l)
Foam Quantity		3		4	5
Bio-Lava/Bio-Rock		-	1600 g	3200 g	4800 g
Hose Connection size		¾", 1", 1 ¼" (19, 25, 32 mm); female 1 ¼" (32 mm)			
UV-C Lamp	120 V - 60 Hz	13W		24 W	36 W
	230-240 V - 50 Hz	11W		18 W	24 W
Recommended Laguna Max-Flo pump <sup>1</sup>		PT8232	PT8236	PT8244	PT8248
Recommended total hose length <sup>2</sup>		13 ft - 4 m		19 ft - 6 m	26 ft - 8 m
Minimum hose diameter to achieve above performances		1-¼"			
Recommended max. waterfall height to achieve above performances		24" - 60 cm		39" - 100 cm	

Maintenance of filter will be more frequent during the hot summer months.

<sup>1</sup> If the application includes a higher waterfall than the maximum indicated, choose a bigger pump.

<sup>2</sup> Total length outlet + inlet. For reference only. The final flow rate depends on many factors, such as the length and the diameter of the hose, hosing kinks or bends, and the height of the waterfalls.

## CONTENTS

Before you begin, please check that the following items are included in the box:

- Pressure-Flo Filter
- UV-C Lamp, installed
- 3 Foam Filters (PF 1000/PF 3000), 4 Foam Filters (PF 2000/PF 6000 & PF 3000/PF 10000, 5 Foam Filters (PF 4000/PF 14000)
- Biological Media (except Pressure-Flo 1000/3000 UVC)
- 1 Lid sealing O-ring (P), supplied in a separate poly bag
- 3 Click-fit couplings (H) for 3/4", 1", and 1-1/4" (19, 25, & 32 mm) diameter hosing
- 1 Click-fit sealing cap (I)
- Instruction manual
- Safety lock (Z)
- 3 Rubber O-rings (aa)

## INTENDED USE

The Pressure-Flo filter is a sealed pressure filter with an integrated UV-C sterilizer designed to provide mechanical and biological filtration in outdoor fresh water ornamental ponds with a temperature from +4°C to 35°C (+39.2° to 95° F), with or without fish. The purpose of mechanical filtration is to trap and accumulate debris and waste material coming from the pond. The purpose of biological filtration is to convert toxic by-products of fish metabolism and other organic waste into much less harmful substances. The purpose of UV-C filtration is to inhibit single-celled algae growth.

## HOW PRESSURE-FLO FILTERS WORK

Pressure-Flo Filters are designed to provide three important water filtration operations that are essential for keeping pond water clear and healthy: mechanical and biological filtration, and UVC sterilization. The filters are designed to work in tandem with a solids handling pump. For best results, use a Laguna Max-Flo circulating pump. With the filter connected to the outlet of a pump, water enters the unit through water inlet (X). It is then forced to pass through the mechanical filtration stage, consisting of foam filters that intercept and trap dirt and debris. Next, water reaches the biological filtration\* chamber where it comes into contact with beneficial bacteria. Finally, dirt-free water passes along the UV-C lamp unit (B), where it is exposed to UV rays that inhibit algae growth. Water then returns to the pond through outlet (W).

\*Pressure-Flo 1000/3000 UVC does not feature biological filtration.

## BACKWASH-CLEANING SYSTEM

During operation, coarse debris is captured at the surface of the foam filters. As a result, over time, the external surface of the foam filters will clog and hinder proper filtration, because of reduced water flow. The limited water flow through the foam filters reduces the effectiveness of both the biological and UV-C filtration. This condition can easily be detected thanks to the cleaning indicator (U). Pressure-Flo filters feature a unique Backwash-cleaning system that completely cleans the entire surface of the mechanical foam filters. The complete cleaning operation can easily and comfortably be done in a few minutes with no need to open the unit. Cleaning will ensure that the filter will perform at optimal levels. Though the Backwash-Cleaning System prolongs the time between maintenance sessions, thorough cleaning of the unit is necessary periodically. See Cleaning and Maintenance of the Pressure-Flo Filter for more details.

## CLEANING INDICATOR

This unit features a cleaning indicator (U), which lets you know when the filter needs backwashing or cleaning. The height of the red cleaning indicator is approximately proportional to the filter clogging level. When the red indicator is low, the filter is clean. When the red indicator is fully exposed, the filter needs cleaning. The cleaning indicator may be affected by many variables, such as waterfall height and pump performance. Its operating characteristics have been calibrated according to specific application conditions indicated in the chart (selecting the right Pressure-Flo and max-Flo pump for your Pond). Different application conditions may lead to different results.

## SELECTING THE RIGHT PRESSURE-FLO AND MAX-FLO PUMP FOR YOUR POND

Using the "filterspecification" table, select the correct Laguna Max-Flo pump/Pressure-Flo filter combination according to your pond size and conditions. Due to the high number of variables, the following recommendations are offered as general guidance only.

## INSTALLATION

### Location of the filter

Choose a suitable location for your Pressure-Flo filter, keeping in mind the following recommendations:

- Place the Pressure-Flo Filter on a firm and level base, where it is safe from flooding and has enough ventilation. Protect the appliance from direct sunlight.
- Place either above ground or buried with the lid clamp (O) at least 5 cm/2 inches above ground level.
- To avoid overheating, do not cover the filter.
- Place the filter at least 1 meter/3.2 feet from the pond edge and make sure it cannot fall into the water in any way.
- Make sure you have full access to the lid of the unit for maintenance.
- Do not operate the filter with a water pressure greater than 0,4 bar or 5.8 PSI of pressure. Never connect the filter to public water works.

- Orient the filter so that the water inlet (X), water outlet (W) and drain outlet (T) point in the desired directions to avoid sharp bends in the hosing.

## Hose connections

Pressure-Flo filter requires the connection of 3 hoses (not included): one for the inlet of the unit (from the pond pump), one for the outlet which takes filtered water to the pond, and one for discharging dirty water from the filter to a location outside the pond during maintenance. When selecting and installing the hoses for your application, maximize potential flow by choosing the largest diameter and shortest hosing possible and avoiding kinks and sharp bends. Pressure-Flo Filters are equipped with 3 universal click-fit couplings (H), which will make connecting and disconnecting the hosing fast and easy. Connect flexible hoses to click-fit couplings and secure them with an adequate hose clamp (not included).

**IMPORTANT – Universal Click-Fit couplings (H) allow the connection of different diameter flexible hosing, but it is important to cut off the unused smaller diameter hose-tails to avoid flow restrictions.**

When flexible hoses are securely connected to click-fit couplings, you can disconnect hosing from the unit simply by pushing the click-fit coupling button and pulling. To connect click-fit couplings to the unit, insert them onto the male connectors located on the lid of the unit and ensure that the coupling button comes up fully.

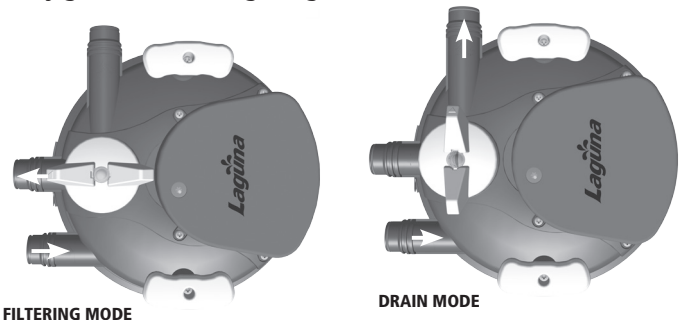
**Water Inlet (X):** the Water Inlet is where pond water enters the Pressure-Flo filter. Simply connect the outlet of a Laguna Max-Flo solids handling pump to the Pressure-Flo inlet (X) using non-kink hosing. The pump delivers dirty water from the pond to the Pressure-Flo filter.

**Water Outlet (W):** the Water Outlet returns filtered water to the pond when the filter is operating in filtering mode. Hosing attached to the water outlet (W) can be placed directly in the pond or used to create a watercourse or waterfall. This outlet is activated when the Mode Selector Switch (V) is pointing at the water outlet (W) (Filtering Mode). The end of the outlet hosing should be placed as far away from the pump inlet as possible to maximize water circulation in the pond.

**Drain Outlet (T):** the Drain Outlet is where dirty water exits the filter when using the Backwash-Cleaning System. Connect a hose to the Drain Outlet to allow dirty water to drain out of the filter and into your garden (See Tip below). This outlet is activated when the Mode Selector Switch (V) is pointing at the Drain Outlet (T) (Drain Mode).

**IMPORTANT – During normal "Filtering Mode" operation, close the Drain Outlet (T) using the Click-fit Sealing Cap (I).**

**Tip: dirty pond water is nutrient-rich and chlorine-free and is particularly good for watering the garden.**



## FILTER START-UP, OPERATION AND BACKWASH CLEANING

**IMPORTANT! – Before the first and every start-up after cleaning filter verify the following:**

- Before the first start-up, it is necessary to install the lid O-ring (P), which is supplied in a separate poly bag. This O-ring must be correctly inserted in its seat at the top of the filter canister (Fig. 1).
- This filter comes with the UVC lamp already installed. Before connecting the filter to the power supply, it is necessary to perform the Filter Wet Test. Refer to the section "Changing the UV-C Lamp and Cleaning the Quartz Sleeve" for detailed instructions.
- The Biological Media must be placed in the Filter Case as indicated in the picture (except Pressure-Flo 1000/3000 UV-C)(Fig. 2).

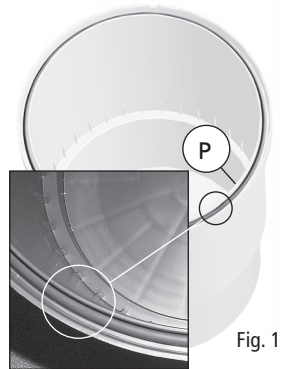


Fig. 1

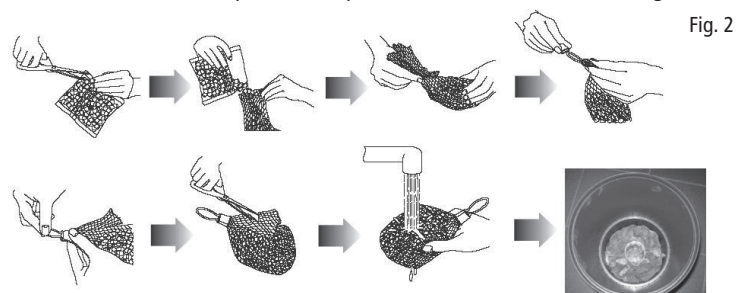


Fig. 2

- Ensure that the lid (G) is securely closed with the lid clamp (O) and the lid O-ring (P) correctly sitting in its seat. **IMPORTANT:** Before applying the lid clamp (O),

the lid (G) must be pressed down until the gap between lid and filter case is eliminated. The lid clamp must be latched, with the safety metal lock (Z) inserted correctly inside the latch slot (Fig. 3). **WARNING:** Pay attention not to catch your fingers or the line cord, while latching the lid clamp. A padlock (not included) can be inserted in the bottom hole of the safety lock (Z) to secure it if necessary.



Fig. 3

- The Mode Selector Switch (V) must be set to the "Filtering Mode" position with the switch pointing at Water Outlet (W). **Mode selector (V) must be fully turned 90°; do not set it at intermediate positions.**
- Ensure that all hoses have been securely connected to the unit and placed in their final position. Ensure that the male section of all Click-Fit couplings is equipped with the rubber O-Ring (aa).

**During normal "Filtering Mode" operation, close the Drain Outlet (T) using the Click fit Sealing Cap (I). Always ensure that the Click-fit Sealing Cap is securely locked in place (push button fully up).**

**CAUTION – Do not operate the UV-C lamp (B) without water flowing through the unit.**

**After the above verifications, proceed as follows:**

1. Turn on the pump and run the filter for several minutes to check that there are no water leaks
2. If everything is OK and water regularly flows through the unit, plug the Pressure-Flo UV-C lamp into the power supply. The UV lamp indicator (R) lights up with a blue shimmer when the UV-C is operating; this light can be better viewed after dusk.

Keep the filter working for 24 hours a day and ideally all year round, provided that there is no frost and water can flow freely through the unit.

## BACKWASH-CLEANING SYSTEM

When the foam surface becomes clogged, the Backwash-Cleaning System quickly and efficiently restores normal filter operation without having to open the unit. Cleaning should be done at least weekly or whenever the cleaning indicator (U) detects that the filter is clogged or dirty or when cloudy water comes out of the filter. If the pond is very dirty and during the first weeks the unit is used, the filter may need more frequent cleaning. Proceed as follows:

1. Turn off the power to the pond pump.
2. Remove the click-fit Sealing Cap from the Drain Outlet (T). **CAUTION:** there will be a small flow of water coming out.
3. Connect a drain hose to the Drain Outlet (T) and ensure that it will expel the dirty water where desired.
4. Turn the Mode Selector Switch (V) to the Drain Mode position (point selector fully at drain outlet (T)). A small amount of water may continue to come out of the Water Outlet (W). This is normal. To avoid this, remove the Universal Click-Fit from the Water Outlet and connect the Sealing Cap Click-Fit.
5. Turn on the power to the pond pump
6. Slide both cleaning handles (S) up and down. The up-and-down sliding motion causes the cleaning blades to scrape against the surface of the foam filters, dislodging debris and suspending it in the outer chamber of the filter, where water loaded with the suspended debris is forced out of the filter through the Drain Outlet (T). Proceed for several minutes until you see clear water coming out through the drain hose.
7. **CAUTION –** The cleaning system uses pond water. This fact must be considered when using the cleaning feature. When cleaning is complete, refill the pond to the desired water level.
8. Turn off the power to the pond pump
9. Turn the Mode Selector Switch (V) to the Filtering Mode position (selector fully pointing at Water Outlet (W)). The filter is now in normal filtering mode. A flow of green water coming out for a few seconds is quite normal.
10. Seal the Drain Outlet (T) using the Click-fit Sealing Cap (I). Ensure that it is securely locked in place (push button fully up). If the filter remains clogged at the end of this operation, inspect the Cleaning Indicator to see whether it is clean and unimpeded (refer to Foam and Biological Media Cleaning, point 11, for detailed instructions). If the Cleaning Indicator continues to signal clogged, perform Foam and Biological Media Cleaning as explained below.
11. Turn on the power to the pond pump.

If the filter remains clogged at the end of this operation, perform Foam and Biological Media Cleaning below.

## CLEANING AND MAINTENANCE OF THE PRESSURE-FLO FILTER

### WARNINGS:

- Do not attempt to open the lid clamp (O) and lift the lid when the pump and the filter are in operation. The lid clamp latch features a safety metal insert to prevent accidental opening.
- **DO NOT ATTEMPT TO VIEW THE LAMP WHEN LIT!** Direct exposure to ultraviolet light can damage eyes and skin.
- The UV-C lamp (B) and the quartz sleeve (C) are made of glass. Handle all parts with care.
- Make sure that the internal electrical parts of the appliance are dry before, during and after the maintenance operations.
- The Mode Selector Switch (V) simply diverts water but does not stop it.

## Foam and biological media cleaning

At the start of each season or when the Backwash-Cleaning System does not produce expected results it will be necessary to thoroughly wash or replace the foam filters (M). During the hot summer months, more frequent cleaning is required. During this operation, the biological media can also be cleaned and/or replaced (except Pressure-Flo 1000/3000 UVC).

1. Switch off the UV-C lamp (B) by disconnecting the unit plug from the main power supply.
2. Switch off the pump that supplies the Pressure-Flo Filter.
3. Disconnect all hosing from the unit by releasing the click-fit couplings (push the press button and pull).
4. Slowly lift the Cleaning Handles (S) up to their maximum extension above the filter.
5. Remove the safety insert from the metallic lid clamp (O). Unlatch the metallic lid clamp.
6. Remove the Lid (G) by grasping the cleaning handles or by gently levering into the side slots by means of an adequate flatheaded screwdriver. **CAUTION:** do not force the guiding rods sideways as this may damage the unit.

**CAUTION –** The lid integrates the UV-C unit with the lamp and the quartz sleeve, which are made of glass. **HANDLE ALL PARTS WITH CARE!**

7. You now have access to the Foam Filters (M). Remove all of them together by grasping and lifting the internal Foam Support Frame (N).
8. Free the Foam Filters (M) from the Foam Support Frame (N) and rinse with pond water or replace them as required.
9. Rinse the biological media located in the lower section of the Filter Case (Q) with pond water or replace as required. Pressure-Flo 1000/3000 UVC does not have a biological media chamber.
10. Clean the Filter Case (Q) with water, particularly around the top edge where the lid sealing O-ring (P) is seated.
11. If necessary clean the Cleaning Indicator (U) after disassembling it as follows (the Mode Selector Switch (V) must be set to the "Filtering Mode" position): 1) remove the retaining ring by rotating it counter-clockwise, 2) remove the indicator and its spring. Rinse all parts in water and reassemble them with care (Fig. 4 - Fig. 5).

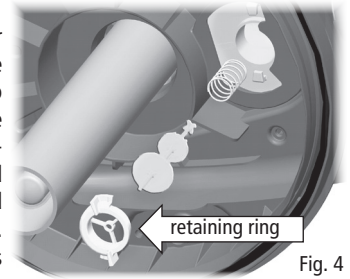


Fig. 4

12. Inspect and clean the two Cleaning Blades (L) and the guide rods. If necessary, replace the blades with new ones. Each blade can easily be detached from the guiding rod by unscrewing the screw in the middle.

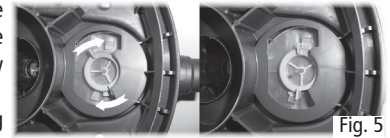


Fig. 5

13. Put the foam and biological filtering media back in their original locations. Ensure that the foam filters are properly stacked with no space between them.
14. Reassemble the unit with care. Make sure that the biological filtration media does not interfere with the foam support frame (N) and that the frame is refitted correctly.
15. The filter is now ready for start-up. Read and follow all instructions in Filter Start-up, Operation, and Backwash-Cleaning.

**NEVER** use soap or detergents for cleaning. Any remaining traces may pollute the pond and result in damage to sensitive fish tissues.

## Changing the UV-C lamp and cleaning the quartz sleeve

**Changing the UV-C lamp:** to maintain optimum performance, the UV-C lamp (B) should be replaced every year. An ideal time is Spring, during pre-season pond maintenance.

**Cleaning the Quartz Sleeve:** although only filtered water passes through the UVC section of the Pressure-Flo filter, the quartz sleeve (C) can become coated with limescale, which will diminish the performance of the UV-C lamp (B). It is recommended to check and clean the quartz sleeve (C) on a regular basis. The frequency of cleaning depends on pond conditions. In order to access the UV-C lamp (B) and the quartz sleeve (C), proceed as follows:

1. Switch off the UV-C lamp by disconnecting the unit plug from the main power supply.
2. Switch off the pump that supplies the Pressure-Flo Filter.
3. Disconnect all hosing from the unit by releasing the click-fit couplings (push the "press" button and pull).
4. Remove the UV-C head (A) (Fig. 6) from the filter by unscrewing the 4 screws (J)

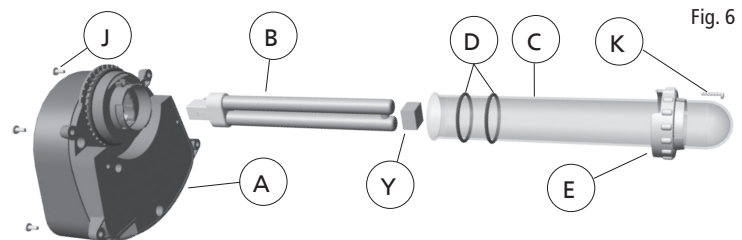


Fig. 6

that fasten the UV-C head to the filter lid (G). UV-C Head is equipped with anti-loss screws. You do not need to completely remove the screws. Just unscrew them until the UV-C Head is disengaged.

5. At this stage it is possible to clean the quartz sleeve (C), if required. **To clean the quartz sleeve, use a damp soft cloth to wipe away limescale and debris. In case of stubborn dirt, some vinegar may be used. Do not use detergents or other chemical cleaners. If it is not necessary to change the UV-C lamp, go straight to point #10.**
6. To access the UV-C lamp (B), remove the Quartz Sleeve (C) by first unscrewing, about 3 turns, the security screw (K) of the Retaining Flange (E) that fasten it to the UV-C head. Afterwards turn the Retaining Flange approx 30 deg counterclockwise until the screw is aligned with the arrow present in the UV-C head and pull to disengage it from its place. Important: the Retaining Flange is equipped with one anti-loss safety screw. There is no need to remove the screw completely. Just unscrew the screw until the Retaining Flange is free to be turned and disengaged from its position.
7. Pull off the Quartz Sleeve including the O-Rings by exerting a slight rotary movement.
8. Once the Quartz Sleeve is removed, pull out the UV-C lamp (B) away from the lamp holder (if it is not the first start-up) and replace it with a new one. **WARNING - DO NOT ATTEMPT TO VIEW THE LAMP WHEN LIT!** Direct exposure to ultraviolet light can damage eyes and skin. Do not test the UV-C lamp unless the filter is fully assembled and closed. **IMPORTANT** – Use original Laguna spare parts only. Refer to the Spare Parts List for correct part number identification.
9. Place the Quartz Sleeve (C) and the two O-rings (D) back in their original position. It is recommended to lubricate the O-Rings with an appropriate lubricant. **IMPORTANT** – The Lamp Damper (Y) inside the quartz sleeve must be between the lamp and the bottom of the quartz sleeve. Do not remove it. **IMPORTANT** – **The two O-rings (D) of the quartz sleeve (C) must be replaced every time the unit is opened.**

10. Place the retaining flange (E) in its original position. Simply align the screw with the arrow and press the flange towards the UV-C head, then turn the Retaining Flange approx 30 deg clockwise in the direction the security screw (K). At this time fasten the Retaining Flange by screwing the security screw (K) (Fig. 7 - Fig. 8 - Fig. 9).

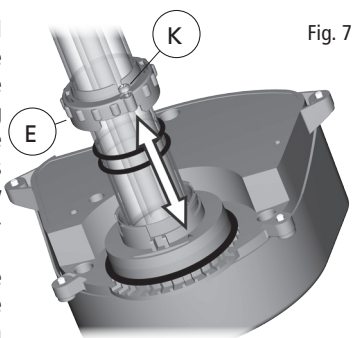


Fig. 7

11. Check to ensure that the Quartz Sleeve (C) is not damaged. Check that all the components are present and have been reassembled properly. If in doubt, consult your Laguna dealer.
12. Put the UV-C head (A) back on the filter lid (G), ensuring that the inner O-ring (F) is correctly located before securing the UV-C head with the screws (J).

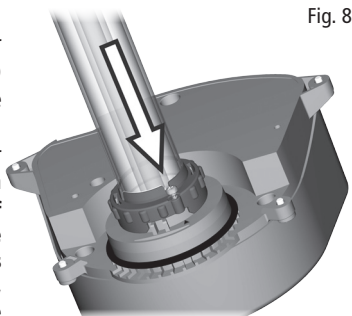


Fig. 8

13. Secure the UV-C head (A) to the filter lid by refitting the 4 anti-loss screws on the UV-C Head (J). **WARNING – Risk of Electric Shock: Before powering the lamp, make sure that ALL O-Rings are back in their original position, ALL screws are tightened and there has not been any damage to the unit. Before connecting the unit to the power supply, perform the Filter Wet Test (see below).**

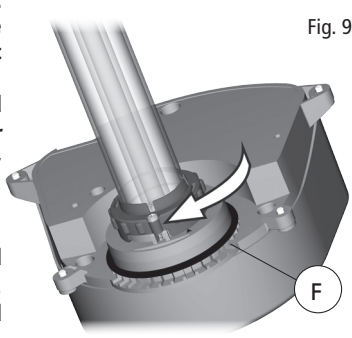


Fig. 9

14. The filter is now ready for start-up. Read and follow all instructions in **Filter Start-up, Operation, and Backwash-Cleaning.**

## WINTER STORAGE

The unit must be protected from frost. In cold winter weather, the unit may be switched off. It should then be drained of water, removed from its installation and stored in a dry, weather-proof area. It is recommended to keep the unit lid open during storage.

## FILTER WET TEST

Once the unit is fully assembled, it must be wet tested before connecting to the power supply. This test must be repeated whenever the lamp and the quartz sleeve are changed or disassembled.

- 1) Install the filter and connect it to the pump following all installation instructions. Do NOT switch on the filter. Switch on the pump only and let it run for 24 hours.
- 2) After 24 hours, switch off the pump and remove the UV-C head (A) from filter by unscrewing the 4 screws (J). Do not disassemble more parts.

- 3) Inspect inside the quartz sleeve (C) for leaks. If you see water inside the quartz sleeve and around the lamp, do NOT connect the unit to power supply but take it to an authorized Laguna dealer or contact Laguna Customer Service.

If on the contrary no water is visible inside the quartz sleeve (C), carefully reassemble the unit and use it normally according to this Installation and Maintenance Guide.

UVC Spare Parts - 230-240V 50Hz					
		PT1715 PF 3000L	PT1716 PF 6000L	PT1717 PF 10000L	PT1718 PF 14000L
UV-C lamp + 2 pcs O-Rings	B	PT1601	PT1601	PT1602	PT1603
Quartz Sleeve + 2 pcs O-Rings	C D	PT1605	PT1605	PT1606	PT1607

UVC Spare Parts - 120V 60Hz					
		PT1725 PF 1000 US GAL	PT1726 PF 2000 US GAL	PT1727 PF 3000 US GAL	PT1728 PF 4000 US GAL
UV-C lamp + 2 pcs O-Rings	B	PT1701	PT1701	PT1603	PT1703
Quartz Sleeve + 2 pcs O-Rings	C D	PT1704	PT1704	PT1607	PT1706

Universal Spare Parts (See Product Illustrations)					
		Pressure Flo 1000/3000	Pressure Flo 2000/6000	Pressure Flo 3000/10000	Pressure Flo 4000/14000
Quartz Sleeve O-Rings (2 pcs)	D	PT1707	PT1707	PT1708	PT1708
Quartz Sleeve flange	E	PT1711	PT1711	PT1712	PT1712
UV-C Head O-Ring	F	PT1530	PT1530	PT1530	PT1530
Universal Click-fit	H	PT640	PT640	PT640	PT640
Sealing Cap Click-fit	I	PT1543	PT1543	PT1543	PT1543
Foam cleaning blades (2 pcs)	L	PT1513	PT1513	PT1514	PT1514
Foam Filters kit	M	PT1735	PT1736	PT1737	PT1738
Lid sealing O-Ring	P	PT1535	PT1535	PT1536	PT1536
Rubber O-Rings	aa	PT743	PT743	PT743	PT743

\* See Product Illustrations

## WARRANTY

**To register your warranty or for more information, visit [www.hagen.com](http://www.hagen.com).**

This product is warranted for defects in material or workmanship for a period of three (3) years from date of purchase. This warranty is valid only under normal operating conditions for which the product is intended. This warranty does not apply to any unit that has been subjected to misuse, negligence, tampering, accidental damage or damage due to faulty packaging or mishandling in transit. This warranty does not cover normal wear of parts and does not apply to any unit that has been used for commercial purposes. The UV-C bulb is not covered by the warranty. No liability is assumed with respect to loss or damage to livestock or personal property irrespective of the cause thereof. This warranty does not affect your statutory rights. This warranty does not cover damage or defects caused by or resulting from damages from shipping or repairs, service or alterations to the product or any of its parts, which have been performed by a repair person not authorized by Rolf C. Hagen Inc.

## RECYCLING

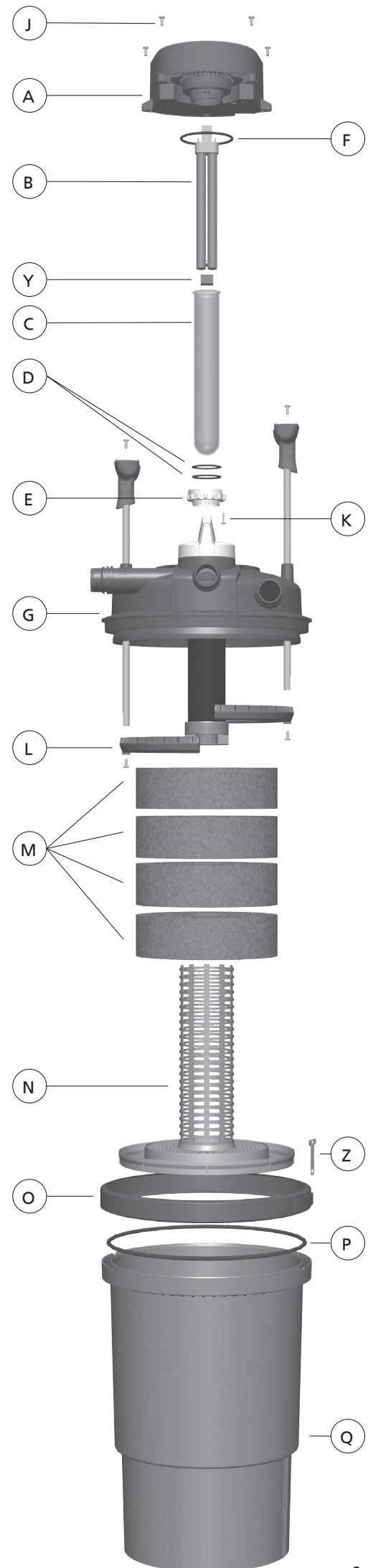
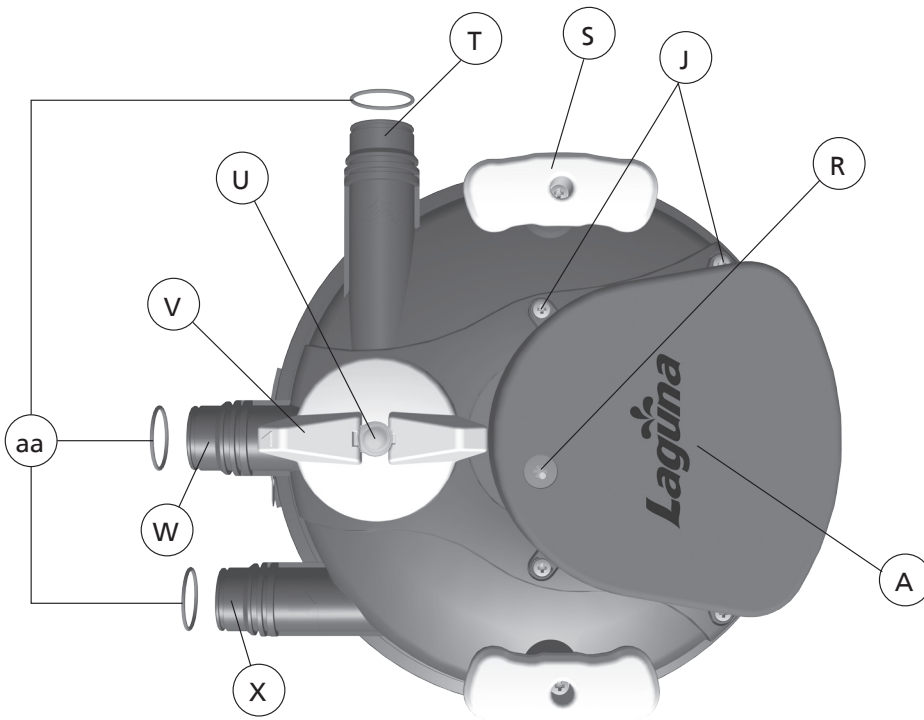
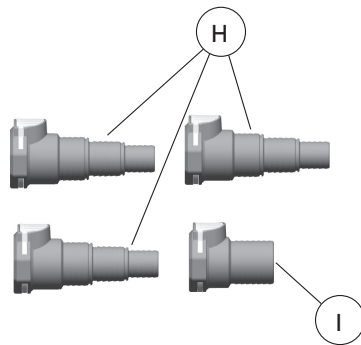
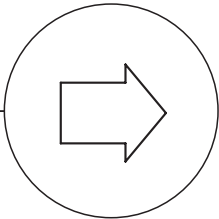
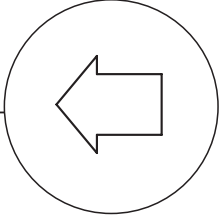
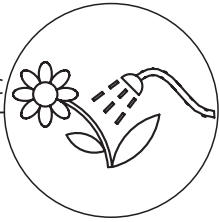
This item bears the selective sorting symbol for waste electronic and electrical equipment (WEEE). This means that the product must be handled pursuant to European Directive 2002/96/EC in order to be recycled or dismantled to minimize its impact on the environment. For further information please contact your local or regional Authorities. Electronic products not included in the selective sorting process are potentially dangerous for the environment and human health due to the presence of hazardous substances.



# Instructions en français

Veuillez consulter les illustrations tout en lisant le manuel d'instructions.

- A Couvercle UV-C
- B Lampe UV-C
- C Manchon de quartz
- D Bagues d'étanchéité du manchon de quartz
- E Bride de retenue du manchon de quartz
- F Bague d'étanchéité du couvercle de la lampe UV-C
- G Couvercle du filtre
- H Raccords universels autobloquants
- I Bouchon hermétique autobloquant
- J Vis du couvercle de la lampe UV-C
- K Vis de la bride du manchon de quartz
- L Lames de nettoyage des blocs de mousse
- M Blocs de mousse
- N Support des blocs de mousse
- O Collier de serrage du couvercle
- P Bague d'étanchéité du couvercle du filtre
- Q Boîtier du filtre
- R Témoïn
- S Poignées de lavage
- T Orifice d'évacuation
- U Indicateur de nettoyage
- V Commande de sélection
- W Sortie d'eau
- X Entrée d'eau
- Y Amortisseur de la lampe
- Z Tige métallique de sécurité
- aa Bagues d'étanchéité en caoutchouc



## FILTRE POUR BASSIN AVEC

### STÉRILISATEUR/CLARIFICATEUR UV-C INTÉGRÉ

Pour usage en eau douce seulement. Bien lire les instructions avant d'installer le filtre et de le faire fonctionner.

#### MESURES DE SÉCURITÉ IMPORTANTES

**MISE EN GARDE – Pour éviter toute blessure, il faut observer des précautions élémentaires de sécurité, y compris les suivantes :**

1. LIRE ET SUIVRE TOUTES LES MESURES DE SÉCURITÉ ainsi que toutes les notes importantes relatives à l'utilisation et à l'entretien de cet appareil. Le non-respect des précautions peut entraîner des dommages à l'appareil ou des blessures.
  - DANGER – Pour éviter tout risque de choc électrique, il faut faire particulièrement attention puisque l'équipement de bassin s'utilise dans l'eau. Dans chacune des situations suivantes, ne pas essayer de réparer l'appareil soi-même; le retourner plutôt au magasin où il a été acheté s'il est encore sous garantie.
  - L'appareil est à l'épreuve des intempéries, mais NE DOIT PAS être immergé dans l'eau. Si l'appareil tombe dans l'eau, NE PAS tenter de l'attraper. Il faut d'abord le débrancher et ensuite le retirer.
2. Avant d'installer l'appareil, vérifier que le manchon de quartz (C) et la lampe UV-C (B) n'ont subi aucun dommage au cours du transport, car ils sont en verre. Les manipuler délicatement. Ne pas les manipuler à mains nues, car cela pourrait diminuer leur efficacité.
  - Si l'appareil montre un signe anormal de fuite d'eau ou si le dispositif différentiel (ou disjoncteur de fuite de terre) s'éteint, débrancher d'abord le cordon d'alimentation (alimentation électrique) et retirer ensuite l'appareil de l'eau.
  - Examiner attentivement l'appareil après l'installation. Il ne doit pas être branché s'il y a de l'eau sur des pièces qui ne doivent pas être mouillées. Si des pièces électriques de l'appareil se mouillent, débrancher immédiatement l'appareil.
  - Ne pas faire fonctionner un appareil dont la fiche ou le cordon sont endommagés, qui ne fonctionne pas correctement ou qui est tombé ou a été endommagé d'une façon quelconque. Le cordon d'alimentation de cet appareil ne peut être remplacé. Si le cordon est endommagé, il faut jeter l'appareil. Ne jamais couper le cordon d'alimentation.
3. AVERTISSEMENT – Cet appareil comprend un émetteur UV-C. Une exposition directe à des rayons UV-C peut entraîner des dommages aux yeux et à la peau. Il ne faut donc pas faire fonctionner l'émetteur UV-C s'il n'est pas à l'intérieur du manchon.
4. AVERTISSEMENT – Cet appareil peut être utilisé par des personnes de 8 ans et plus, des personnes aux capacités physiques, sensorielles ou mentales réduites, ou des personnes manquant d'expérience ou de connaissances, si elles sont sous surveillance ou qu'elles ont reçu les directives nécessaires à l'utilisation de cet appareil et qu'elles connaissent les dangers possibles. Les enfants ne doivent pas jouer avec cet appareil, et ils ne doivent ni nettoyer ni entretenir celui-ci s'ils ne sont pas sous surveillance.
5. Pour éviter toute blessure, ne toucher aucune pièce mobile ou chaude.
6. ATTENTION – Toujours débrancher tous les appareils électriques dans le bassin avant de se mettre les mains dans l'eau, avant d'installer ou d'enlever des pièces et pendant que l'équipement est installé, entretenu ou manipulé. Ne jamais tirer sur le cordon d'alimentation pour débrancher l'appareil, mais plutôt prendre la fiche même entre les doigts et tirer à partir de celle-ci. Toujours débrancher tout appareil qui n'est pas utilisé.
7. Le présent appareil de filtration comprenant un stérilisateur/clarificateur UV intégré est destiné à des jardins aquatiques d'eau douce extérieurs. Ne pas utiliser l'appareil pour un usage autre que celui pour lequel il a été conçu. Des radiations UV-C peuvent s'échapper si l'appareil est employé sans surveillance ou que le boîtier est endommagé. Les radiations UV-C peuvent, même en petite quantité, endommager les yeux et la peau.
  - Ne pas utiliser cet appareil dans une piscine ou dans toute autre situation où des personnes sont dans l'eau.

- Cet appareil a été fabriqué pour fonctionner dans de l'eau dont la température est de 4 °C à 35 °C.
  - Ne pas se servir de cet appareil avec des liquides inflammables ni potables.
  - L'emploi de tuyaux ou d'appareils ni recommandés ni vendus par le fabricant de l'appareil peut être source de situations dangereuses.
8. Ne pas installer ni ranger l'appareil où il sera exposé à des températures près de 0 °C (32 °F) ou moins. En cas de gel, débrancher le filtre et vider l'eau de son boîtier. En hiver, ranger l'appareil dans un endroit abrité.
  9. L'appareil ne doit pas être exposé directement aux rayons du soleil. L'appareil résiste très bien à la lumière du soleil, mais le moteur peut surchauffer et la durée de vie du matériau isolant peut diminuer si l'appareil est directement exposé aux rayons du soleil.
    - Pour éviter que l'appareil ne surchauffe, ne pas placer d'objets sur celui-ci.
    - Ne pas installer l'appareil à un endroit où il pourrait tomber dans l'eau ni à un endroit où un dégât d'eau ou une accumulation d'eau pourrait avoir lieu. Placer l'appareil à 1 m (3,2 pi) du rebord bassin, à un endroit sec et sûr, où la ventilation est adéquate. Laisser suffisamment d'espace autour de la filtre afin de bien pouvoir effectuer l'entretien.
  10. IMPORTANT – La pression maximum de fonctionnement est de 0,04 MPa (0,4 bar ou 5,8 psi). Ne pas brancher le filtre à moteur à la conduite principale d'eau.
  11. Ne pas essayer d'ouvrir la manette de blocage du couvercle (O) ni de soulever le couvercle quand la pompe et le filtre fonctionnent. Le loquet est muni d'une tige métallique de sécurité servant à empêcher l'ouverture accidentelle.
  12. Si une rallonge électrique est nécessaire, s'assurer que la connexion est étanche, à l'abri de la saleté et d'un calibre suffisant. Un cordon électrique de moins d'ampères ou de watts que l'appareil peut surchauffer. Des précautions doivent être prises afin d'éviter que l'on tire la rallonge ou que l'on trébuché sur celle-ci. Le raccordement doit être effectué par un électricien qualifié.
  13. IMPORTANT – Le raccordement électrique doit être effectué conformément aux données sur l'étiquette concernant le calibre; ne mettre l'appareil en marche qu'après l'avoir installé correctement. La sécurité en matière d'électricité ne peut être garantie que si l'appareil est branché à un dispositif différentiel (ou à un disjoncteur de fuite de terre) dont le courant résiduel ne dépasse pas 30 mA.
  14. AVERTISSEMENT – Brancher le filtre seulement s'il est correctement et complètement assemblé. Il ne doit jamais fonctionner à sec et doit toujours être entièrement rempli d'eau quand il est en marche.
  15. AVERTISSEMENT – Risque de choc électrique. Cet appareil est muni d'un cordon trifilaire mis à la terre (fiche à trois broches). Cette fiche ne convient qu'à une prise de courant conçue pour les fiches à trois broches. Il s'agit d'un dispositif de sécurité. Si la fiche n'entre pas dans la prise, s'adresser à un électricien qualifié afin de remplacer la prise. Ne pas essayer d'aller à l'encontre du dispositif de sécurité de la broche de masse faisant partie des trois broches de la fiche. S'assurer que l'appareil est branché seulement à un dispositif différentiel ou à un disjoncteur de fuite de terre adéquatement mis à la terre et dont le courant résiduel est de 30 mA.

AVERTISSEMENT – Ne pas enfouir le cordon. Le placer de telle sorte que l'on minimise les dommages causés par les tondeuses, les taille-haies et autre équipement. Les installations permanentes à l'alimentation principale (câblage) doivent être conformes aux règlements des autorités locales, qui peuvent mentionner l'utilisation d'une gaine de plastique ou de métal pour protéger le câble.

## CONSERVER CES MESURES DE SÉCURITÉ POUR CONSULTATION ULTÉRIEURE

### CONTENU

**Avant de commencer l'assemblage du filtre, vérifiez que les articles suivants sont inclus dans la boîte :**

- 1 filtre Pressure-Flo
- 1 lampe UV-C, installée
- 3 blocs de mousse (PF 1000/PF 3000), 4 blocs de mousse (PF 2000/PF 6000 et PF 3000/PF 10000), 5 blocs de mousse (PF 4000/PF 14000)
- Masse filtrante biologique (excepté pour le Pressure-Flo 1000/3000 UVC)

Caractéristiques techniques du filtre	Pressure-Flo 1000/3000	Pressure-Flo 2000/6000	Pressure-Flo 3000/10000	Pressure-Flo 4000/14000
Dimensions du filtre (diamètre x hauteur)	28,5 cm x 35 cm 11,2 x 13,7 po	28,5 cm x 51 cm 11,2 x 20 po	36,5 cm x 52,5 cm 14,3 x 20,6 po	36,5 cm x 64 cm 14,3 x 25,2 po
Hauteur du boîtier	23 cm (9 po)	38,5 cm (15,2 po)	40 cm (15,7 po)	50 cm (19,7 po)
Volume du boîtier	10 L (2,6 gal US)	17,5 L (4,6 gal US)	31 L (8,2 gal US)	40 L (10,6 gal US)
Nombre de blocs de mousse	3		4	5
Quantité de pierres de lave	-	1 600 g	3 200 g	4 800 g
Dimensions des raccords aux tuyaux	19, 25, 32 mm (¾, 1, 1 ¼ po); femelle 32 mm (1 ¼ po)			
Puissance de la lampe UV-C	120 V - 60 Hz	13 W	24 W	36 W
	230-240 V - 50 Hz	11 W	18 W	24 W
Pompe Max-Flo Laguna recommandée <sup>1</sup>	PT8232	PT8236	PT8244	PT8248
Longueur totale recommandée pour les tuyaux <sup>2</sup>	4 m (13 pi)		6 m (19 pi)	8 m (26 pi)
Diamètre minimum des tuyaux pour obtenir d'excellents résultats	32 mm (1 ¼ po)			
Hauteur recommandée des cascades pour obtenir d'excellents résultats	60 cm (24 po)		100 cm (39 po)	

Vous devez entretenir votre filtre plus souvent durant les chauds mois d'été.

<sup>1</sup> Si vous avez une ou des cascades plus hautes que la hauteur maximale recommandée, employez une pompe plus puissante.

<sup>2</sup> Longueur totale des tuyaux d'entrée et de sortie d'eau (à titre de référence seulement). Un tuyau de longueur ou de diamètre inadéquat ainsi qu'un tuyau plié ou tortillé ont un impact sur le débit d'eau final.



- 1 bague d'étanchéité pour le couvercle (P), fournie dans un sac de polyéthylène séparé
- 3 raccords universels autobloquants (H) pour des tuyaux de diamètres de 19, 25 et 32 mm (¾, 1, et 1 ¼ po)
- 1 bouchon hermétique autobloquant (I)
- 1 manuel d'instructions
- 1 verrou de sécurité (Z)
- 3 bagues d'étanchéité en caoutchouc (aa)

## UTILISATION PRÉVUE

Le filtre Pressure-Flo est un filtre pressurisé muni d'un stérilisateur UV-C intégré conçu pour fournir une filtration mécanique et biologique aux bassins ornementaux extérieurs d'eau douce dont la température varie de 4 °C à 35 °C (39,2 °F à 95 °F), et avec ou sans poissons. La filtration mécanique vise à bloquer et à accumuler des débris et des déchets provenant du bassin. La filtration biologique a pour but de transformer les sous-produits toxiques du métabolisme des poissons et les autres déchets organiques en substances beaucoup moins nocives. La filtration UV-C sert à empêcher la prolifération d'algues.

## FONCTIONNEMENT DES FILTRES PRESSURE-FLO

Les filtres Pressure-Flo sont conçus pour fournir trois types importants de filtration, essentiels pour garder l'eau du bassin claire et saine : filtration mécanique et biologique et stérilisation UVC. Les filtres travaillent parallèlement à une pompe qui traite les solides. Pour obtenir les meilleurs résultats possible, utiliser une pompe de circulation Max-Flo Laguna. Le filtre est branché à la sortie d'eau d'une pompe et l'eau entre dans le filtre par l'entrée d'eau (X). Elle est alors forcée à travers la filtration mécanique composée de blocs de mousse qui interceptent et retiennent la saleté et les débris. Ensuite, l'eau atteint le module de filtration biologique\* et entre en contact avec des bactéries bénéfiques. Enfin, l'eau débarrassée des saletés passe le long de la lampe UV-C, où elle est exposée aux rayons ultraviolets, qui empêchent la prolifération d'algues. L'eau retourne ensuite dans le bassin par la sortie d'eau (W).

\*Le filtre Pressure-Flo 1000/3000 UVC n'a pas de module de filtration biologique.

## SYSTÈME DE LAVAGE À CONTRE-COURANT

Au cours de l'opération, de gros débris sont emprisonnés à la surface des blocs de mousse. Ainsi, le débit sera réduit au fil du temps, et la surface extérieure des blocs de mousse sera bouchée, ce qui empêchera une filtration adéquate. Si la quantité d'eau passant à travers les blocs de mousse est limitée, l'efficacité des filtrations biologique et UV-C est réduite. Ce problème peut être facilement détecté grâce à l'indicateur de nettoyage (U). Les filtres Pressure-Flo ont un système unique de lavage à contre-courant qui nettoie entièrement toute la surface des blocs de mousse de la filtration mécanique. Le nettoyage complet peut être effectué facilement en quelques minutes sans avoir à ouvrir l'appareil. Le nettoyage assurera que le filtre fournira un rendement optimal. Bien que le lavage à contre-courant prolonge la période entre chaque entretien, un nettoyage en profondeur de l'appareil est nécessaire périodiquement. Consulter la section « Nettoyage et entretien du filtre Pressure-Flo » pour plus de détails.

## INDICATEUR DE NETTOYAGE

Cet appareil est équipé d'un indicateur de nettoyage (U) vous permettant de savoir quand le filtre a besoin d'un lavage à contre-courant ou d'un nettoyage. La hauteur de l'indicateur rouge est approximativement proportionnelle au niveau de blocage du filtre. Lorsque l'indicateur rouge est bas, le filtre est propre. Quand l'indicateur rouge a atteint sa hauteur maximum, le filtre a besoin de nettoyage. L'indicateur de nettoyage peut être modifié par de nombreuses variables comme la hauteur de la cascade et le rendement de la pompe. Les caractéristiques d'opération indiquées dans le tableau de la page 2 ont été calibrées selon des applications précises. Si ces dernières varient, les résultats seront légèrement différents.

## COMMENT CHOISIR LE BON FILTRE PRESSURE-FLO ET LA POMPE MAX-FLO ADÉQUATE À VOTRE BASSIN

À l'aide du tableau de la page 2, choisir la bonne combinaison de pompe Max-Flo Laguna et de filtre Pressure-Flo conformément à la dimension de votre bassin et à la qualité de l'eau qu'il contient. En raison du nombre élevé de variables, les recommandations suivantes sont offertes seulement comme directives générales.

## INSTALLATION

### Emplacement du filtre

Choisir un emplacement convenable pour son filtre Pressure-Flo en gardant à l'esprit les recommandations suivantes :

- Placer le filtre Pressure-Flo à un endroit stable et à niveau, qui ne risque pas d'être inondé et où il y a une bonne circulation d'air. Protéger le filtre de l'exposition directe du soleil.
- Placer le filtre en surface ou dans le sol, en laissant le collier de serrage à 5 cm (2 pouces) au-dessus du sol, au minimum.
- Afin d'éviter toute surchauffe, ne pas couvrir le filtre.
- Placer le filtre à au moins un 1 mètre (3,2 pieds) du rebord du bassin et s'assurer qu'il ne pourra jamais tomber dans l'eau.
- Faire en sorte d'avoir aisément accès au couvercle de l'appareil pour effectuer l'entretien de ce dernier.
- **Ne pas faire fonctionner le filtre à des pressions d'eau supérieures à 0,4 bar ou 5,8 psi. Ne jamais brancher le filtre sur le réseau public de distribution de l'eau.**
- Orienter le filtre de sorte que l'entrée d'eau (X), la sortie d'eau (W) et l'orifice d'évacuation (T) des eaux usées soient positionnés convenablement, afin d'éviter que les tuyaux se plient.

### Branchement des tuyaux

Le filtre Pressure-Flo requiert un branchement de trois tuyaux (non inclus) : un pour l'entrée d'eau de l'appareil (depuis la pompe du bassin), un autre pour la sortie d'eau qui emmène l'eau filtrée dans le bassin, et un dernier qui servira à évacuer les eaux usées traversant le filtre à l'extérieur du bassin pendant son entretien. Lors du choix et de l'installation des tuyaux en vue de l'application voulue, maximiser le débit d'eau utilisable en choisissant les diamètres les plus grands et les longueurs les plus courtes possible afin d'éviter que les

tuyaux se plient ou se coincent. Les filtres Pressure-Flo comportent trois raccords universels autobloquants (H), grâce auxquels on peut effectuer un branchement et un débranchement rapides et faciles des tuyaux. Brancher les tuyaux souples aux raccords autobloquants et les maintenir en place avec les colliers de serrage adéquats (non inclus).

**IMPORTANT – Les raccords autobloquants universels (H) permettent le branchement de tuyaux souples de différents diamètres, mais il est important d'éliminer les bouts inutilisables de diamètre inférieur, susceptibles de freiner le débit.**

Une fois que les tuyaux souples sont solidement branchés aux raccords autobloquants, on peut alors débrancher ces tuyaux de l'appareil en appuyant simplement sur le bouton du raccord autobloquant et en tirant. Pour fixer les raccords autobloquants au filtre, les insérer dans les prises mâles situées sur le couvercle de l'appareil, puis s'assurer que le bouton du raccord est complètement délogé.

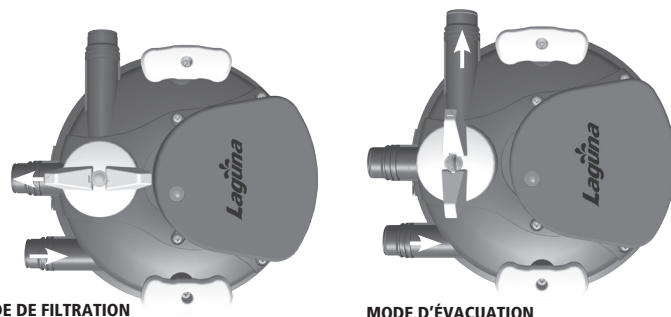
**Entrée d'eau (X) :** L'entrée d'eau correspond à l'endroit où l'eau entre dans le filtre Pressure-Flo. Il suffit de relier la sortie d'une pompe Max-Flo Laguna qui traite les matières solides à l'entrée d'eau du filtre Pressure-Flo (X). Pour ce faire, employer un tube à chenilles Laguna. La pompe fait circuler les eaux usées depuis le bassin jusqu'au filtre Pressure-Flo.

**Sortie d'eau (W) :** La sortie d'eau renvoie l'eau filtrée dans le bassin lorsque le filtre est utilisé en mode de filtration. Le tuyau branché à la sortie d'eau peut être mis directement dans le bassin ou servir à créer un cours d'eau ou une cascade. La sortie d'eau est activée quand la commande de sélection (V) est orientée vers la sortie d'eau (W) (mode de filtration). L'extrémité du tuyau de sortie doit être placée aussi loin que possible de l'entrée de la pompe afin de maximiser la circulation de l'eau dans le bassin.

**Orifice d'évacuation (T) :** L'orifice d'évacuation correspond à l'endroit où passent les eaux usées provenant du filtre lorsqu'on utilise le lavage à contre-courant. Brancher un tuyau à l'orifice d'évacuation pour laisser les eaux usées sortir du filtre et s'écouler dans les égouts ou dans votre jardin. On active cet orifice en positionnant la commande de sélection (V) sur l'orifice d'évacuation (T) (mode d'évacuation).

**IMPORTANT – Pendant le « mode de filtration » normal, fermer l'orifice d'évacuation (T) en se servant du capuchon hermétique à blocage rapide (I).**

**TRUC : Les eaux usées de bassin sont riches en nutriments et dépourvues de chlore. Elles peuvent très bien être utilisées pour arroser son jardin.**



## DÉMARRAGE ET FONCTIONNEMENT DU FILTRE

**IMPORTANT! – Avant de démarrer le filtre après l'avoir nettoyé, vérifier les points suivants :**

- Avant le premier démarrage, il est nécessaire de mettre en place la bague d'étanchéité du couvercle (P), fournie individuellement dans un sac de polyéthylène. Il faut insérer cette bague convenablement dans sa cuvette située dans la partie supérieure du boîtier du filtre (Fig. 1).
- Ce filtre est équipé d'une lampe UV-C déjà installée. Avant de brancher le filtre, il est nécessaire d'effectuer un essai humide du filtre. Consulter la section « Changement de la lampe UV-C et nettoyage du manchon de quartz » pour des instructions détaillées.
- La masse filtrante biologique doit être placée dans la cuve du filtre tel qu'il est indiqué sur l'illustration (excepté pour le filtre Pressure-Flo 3000 UV-C) (Fig. 2).

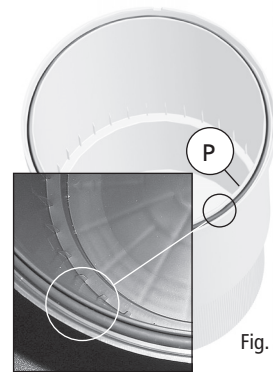


Fig. 1

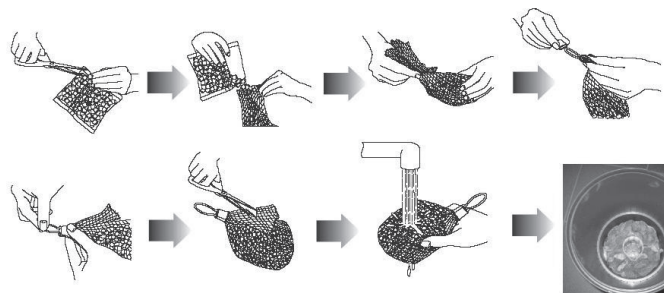


Fig. 2

- Vérifier que le couvercle (G) est verrouillé solidement avec la manette de blocage (O) et que la bague d'étanchéité du couvercle (P) est correctement positionnée dans sa cuvette. **IMPORTANT :** Avant d'utiliser la manette de blocage du couvercle (O), on doit appuyer sur le couvercle (G) jusqu'à ce que l'espace entre le couvercle et la cuve du filtre soit éliminé. La manette de blocage doit être verrouillée avec la tige métallique de sécurité (Z) insérée convenablement dans la fente du verrou (Fig. 3).

**MISE EN GARDE** - Faire attention de ne pas se pincer les doigts ni pincer le cordon électrique en verrouillant la manette de blocage. Un cadenas (non inclus) peut être inséré dans le trou du bas de la tige métallique de sécurité (Z) aux fins de verrouillage.

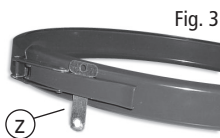


Fig. 3

- La commande de sélection (V) doit être réglée sur la position « mode de filtration ». Elle doit être dirigée vers la sortie d'eau (W). **La soupape de sélection doit être tournée complètement à 90°, et non dans des positions intermédiaires.**
- S'assurer que tous les tuyaux ont été solidement raccordés au filtre et placés dans leur position finale. Vérifier que la section mâle de tous les raccords autobloquants est munie d'une bague d'étanchéité en caoutchouc (aa).

**Pendant le « mode de filtration » normal, fermer l'orifice d'évacuation (T) en utilisant le capuchon hermétique autobloquant (I). Veiller toujours à ce que le bouchon hermétique autobloquant soit verrouillé solidement (bouton-poussoir entièrement délogé).**

**ATTENTION : Ne pas faire fonctionner la lampe UV-C (B) si l'eau ne circule pas dans l'appareil.**

**Après les vérifications énumérées ci-dessus, procéder comme suit :**

1. Mettre la pompe en marche et laisser fonctionner le filtre pendant quelques minutes afin de vérifier qu'il n'y a aucune fuite d'eau.
2. Si tout va bien et que l'eau circule régulièrement dans l'appareil, brancher la lampe UV-C du filtre Pressure-Flo à l'alimentation principale. Le témoin (R) émet un scintillement bleu quand la lampe UV-C fonctionne; cette lumière se voit bien après le crépuscule.

Laisser le filtre fonctionner la journée entière et si possible toute l'année, dans la mesure où le gel n'empêche pas l'eau de circuler dans l'appareil.

### LAVAGE À CONTRE-COURANT

Lorsque la surface du bloc de mousse est encrassée, le lavage à contre-courant rétablit rapidement et efficacement le fonctionnement du filtre sans qu'il soit nécessaire d'ouvrir l'appareil. Le filtre doit être nettoyé une fois par semaine ou chaque fois que l'indicateur de nettoyage (U) signale que le filtre est encrassé, sale, ou qu'il évacue de l'eau trouble. Si le bassin est très sale pendant les premières semaines d'utilisation du filtre, il peut nécessiter des lavages plus fréquents. Procéder alors comme suit :

1. Couper le courant à la pompe du bassin.
2. Enlever le bouchon hermétique autobloquant (I) de l'orifice d'évacuation (T). **ATTENTION :** Un léger débit d'eau sera évacué.
3. Brancher un tuyau d'évacuation à l'orifice d'évacuation (T) et s'assurer qu'il évacuera l'eau sale à l'endroit désiré.
4. Régler la commande de sélection (V) en mode d'évacuation (orienter le sélecteur précisément vers l'orifice d'évacuation (T)). Un peu d'eau peut continuer à couler de la sortie d'eau (W), ce qui est normal. Pour éviter ceci, retirer le raccord universel autobloquant de la sortie d'eau et raccorder le bouchon hermétique autobloquant.
5. Rétablir le courant à la pompe du bassin.
6. Glisser les deux poignées de lavage (S) vers le haut et le bas. Ce mouvement pousse deux lames de nettoyage frottant le long des blocs de mousse pour déloger les débris et les laisser en suspension sur la paroi extérieure du filtre. L'eau chargée des débris en suspension est forcée vers l'extérieur à travers l'orifice d'évacuation (T). Procéder pendant plusieurs minutes jusqu'à ce que de l'eau claire sorte du tuyau d'évacuation.
7. **ATTENTION -** Le système de nettoyage fait appel à l'eau du bassin. Il faut prendre cet aspect en considération lorsqu'on utilise cette fonction. Après le nettoyage, remplir le bassin au niveau d'eau désiré.
8. Couper le courant à la pompe du bassin.
9. Tourner la commande de sélection (V) au mode de filtration (le sélecteur est dirigé complètement vers la sortie d'eau (W)). Le filtre est maintenant en mode de filtration normal. De l'eau verte sortant pendant quelques secondes est normal.
10. Fermer l'orifice d'évacuation (T) à l'aide du bouchon hermétique autobloquant (I). S'assurer que le bouchon est solidement en place (le bouton-poussoir doit être complètement soulevé). Si le filtre reste bloqué à la fin de cette opération, inspecter l'indicateur de nettoyage pour voir s'il est propre et sans entraves (consulter le point 11 de la section « Nettoyage des blocs de mousse et de la masse filtrante biologique » pour des instructions détaillées). Si l'indicateur de nettoyage continue de signaler un blocage, nettoyer le bloc de mousse et la masse filtrante biologique tel qu'il est expliqué ci-dessous.
11. Rétablir le courant à la pompe du bassin.

Si le filtre est toujours bloqué à la fin de cette opération, nettoyer les blocs de mousse et la masse filtrante biologique tel qu'il est expliqué ci-dessous.

### NETTOYAGE ET ENTRETIEN DU FILTRE PRESSURE-FLO

#### MISES EN GARDE :

- Ne pas tenter de desserrer la manette de blocage du couvercle (O) et de l'ouvrir lorsque la pompe et le filtre sont en marche. Le verrou de la manette de blocage du couvercle comporte une tige métallique de sécurité visant à prévenir toute ouverture accidentelle.
- **NE PAS ESSAYER DE REGARDER LA LAMPE LORSQU'ELLE EST ALLUMÉE!** Une exposition directe aux rayons ultraviolets est nuisible aux yeux et à la peau.
- La lampe UV-C (B) et le manchon de quartz (C) sont en verre. Il faut manipuler toutes les pièces avec soin.
- S'assurer que les pièces internes électriques de l'appareil sont sèches avant, pendant et

après les manipulations d'entretien.

- La commande de sélection (V) ne fait que diriger l'eau; elle ne l'arrête pas.

### NETTOYAGE DES BLOCS DE MOUSSE ET DE LA MASSE FILTRANTE BIOLOGIQUE

Au début de chaque saison, ou lorsque le système de lavage à contre-courant ne donne pas les résultats escomptés, laver à fond les blocs de mousse (M) ou, éventuellement, les changer. Des nettoyages plus fréquents sont nécessaires pendant les chaudes périodes de l'été. Au cours de cette opération, la masse filtrante biologique peut également faire l'objet d'un nettoyage ou d'un changement (excepté pour le filtre Pressure-Flo 1000/3000 UVC).

1. Éteindre la lampe UV-C (B) en débranchant la fiche de l'alimentation principal
  2. Éteindre la pompe qui alimente le filtre Pressure-Flo.
  3. Débrancher tous les tuyaux de l'appareil en libérant les raccords autobloquants (appuyer sur le bouton-pressure et tirer).
  4. Soulever lentement les poignées de lavage (S) jusqu'à leur hauteur maximale au-dessus du filtre.
  5. Enlever la tige de sécurité de la manette métallique de blocage (O). Déverrouiller cette manette.
  6. Enlever le couvercle (G) en soulevant lentement les poignées de lavage (S) ou en l'ouvrant doucement par les côtés à l'aide d'un tournevis approprié à tête plate. **ATTENTION - Ne pas forcer les tiges de chaque côté pour ne pas endommager le filtre**
- ATTENTION :** Le couvercle comporte le module UV-C avec sa lampe et le manchon de quartz, tous les deux en verre. **MANIPULER TOUTES LES PIÈCES AVEC SOIN!**
7. Enlever tous les blocs de mousse (M) en même temps, en soulevant le tube intérieur grillagé et le plateau de soutien des blocs de mousse (N).
  8. Sortir les blocs de mousse (M) du cône et de son support (N), puis les rincer avec de l'eau du bassin ou les remplacer au besoin.
  9. Rincer la masse filtrante biologique située dans la section inférieure du boîtier du filtre (Q) avec de l'eau du bassin ou la remplacer, au besoin. Le filtre Pressure-Flo 1000/3000 UVC n'a pas de module de masse filtrante biologique.
  10. Nettoyer le boîtier du filtre (Q) avec de l'eau, en particulier autour du bord supérieur, là où est posée la bague d'étanchéité du couvercle (P).
  11. Au besoin, nettoyer l'indicateur de nettoyage (U) après l'avoir désassemblé (la commande de sélection (V) doit être au « mode de filtration »). Suivre les étapes suivantes : 1) Enlever la bride de retenue en la faisant tourner en sens inverse des aiguilles d'une montre, 2) Retirer l'indicateur et son ressort. Rincer toutes les pièces dans l'eau et les réassembler avec soin (Fig. 4 et Fig. 5).

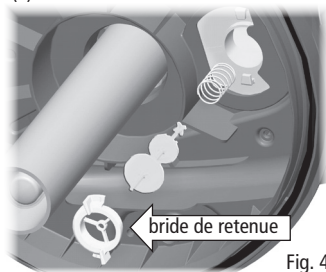


Fig. 4

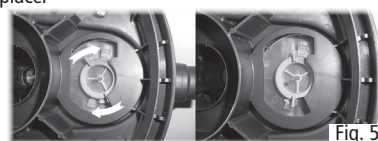


Fig. 5

12. Inspecter et nettoyer les deux lames de nettoyage (L) et les tiges. Au besoin, remplacer les lames par des nouvelles. Chaque lame peut facilement être détachée de la tige en dévissant la vis au milieu.
  13. Replacer les blocs de mousse et la masse filtrante biologique dans leur position originale. Vérifier que les blocs de mousse sont convenablement empilés et qu'il n'y a pas d'espace entre eux.
  14. Réassembler l'appareil avec soin. S'assurer que la masse filtrante biologique ne perturbe pas le support des blocs de mousse (N) et qu'il est remis en état correctement.
  15. Le filtre est maintenant prêt pour le démarrage. Lire et suivre toutes les instructions des sections « Démarrage et fonctionnement du filtre » et « Lavage à contre-courant.
- NE JAMAIS utiliser ni savon ni détergent pour le nettoyage. Toute trace peut polluer le bassin et endommager les tissus sensibles des poissons.

### CHANGEMENT DE LA LAMPE UV-C ET NETTOYAGE DU MANCHON DE QUARTZ

**Changement de la lampe UV-C :** Afin de maintenir un rendement optimal, la lampe UV-C (B) doit être remplacée chaque année. Le temps idéal est le printemps, au cours de l'entretien du bassin précédant la saison.

**Nettoyage du manchon de quartz :** Même si seulement de l'eau filtrée passe à travers la section UV-C du filtre Pressure-Flo, le manchon de quartz (C) peut être recouvert de tartre, ce qui diminuera le rendement de la lampe UV-C (B). Il est recommandé de vérifier et de nettoyer régulièrement le manchon de quartz. La fréquence du nettoyage dépend de la qualité de l'eau dans le bassin. Afin d'avoir accès à la lampe UV-C (B) et au manchon de quartz (C), procéder comme suit :

1. Éteindre la lampe UV-C en débranchant la fiche de l'alimentation principale.
2. Éteindre la pompe qui fait fonctionner le filtre Pressure-Flo.
3. Débrancher tous les tuyaux de l'appareil en dégageant les raccords autobloquants (pousser le bouton « Press » et tirer le tuyau).
4. Retirer le couvercle UV-C (A) (Fig. 6) du filtre en dévissant les quatre vis (J) qui fixent le couvercle UV-C au couvercle du filtre (G). Le couvercle UV-C est équipé de vis antiperte. Aucun besoin de retirer complètement les vis; il suffit de les dévisser jusqu'à ce que le couvercle UV-C puisse être retiré.

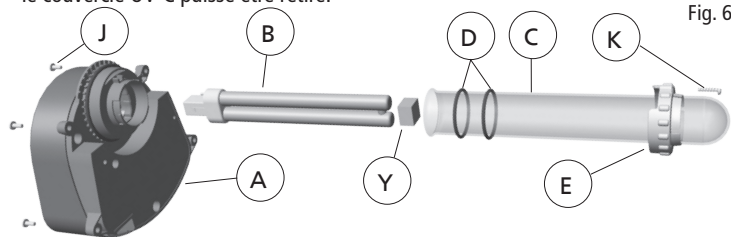


Fig. 6

5. À cette étape, il est possible de nettoyer le manchon de quartz (C), au besoin.

**Pour nettoyer le manchon de quartz et ainsi enlever tartre et débris, utiliser un linge doux et humide. En cas de saleté tenace, se servir d'un peu de vinaigre. Ne pas employer de détergents ni d'autres nettoyants chimiques. S'il n'est pas nécessaire de changer la lampe UV-C, se rendre tout de suite au point no 10.**

- Afin d'accéder à la lampe UV-C (B), retirer le manchon de verre (C) en dévissant environ trois tours la vis de fixation (K) de la bride de retenue (E) qui l'attache au couvercle UV-C. Ensuite, tourner la bride de retenue d'environ 30 degrés en sens inverse des aiguilles d'une montre jusqu'à ce que la vis soit alignée avec la flèche qui se trouve à l'intérieur du couvercle UV-C, puis tirer afin d'enlever le couvercle. Important : La bride de retenue est dotée d'une vis de fixation antiperte. Aucun besoin de la retirer complètement; il suffit de la dévisser jusqu'à ce que la bride de retenue puisse être tournée et enlevée.
- Enlever le manchon de quartz ainsi que les bagues d'étanchéité en effectuant un léger mouvement de rotation.
- Une fois le manchon de quartz retiré, sortir la lampe UV-C (B) de sa douille (s'il ne s'agit pas du premier démarrage) et la remplacer par une nouvelle. **MISE EN GARDE - NE PAS ESSAYER DE REGARDER LA LAMPE LORSQU'ELLE EST ALLUMÉE!** Une exposition directe aux rayons ultraviolets est nuisible aux yeux et à la peau. Ne pas faire d'essai avec la lampe UV-C à moins que le filtre soit complètement assemblé et fermé. **IMPORTANT** - Utiliser des pièces de rechange originales Laguna seulement. Consulter la liste des pièces de rechange pour obtenir leur numéro précis.
- Replacer le manchon de quartz (C) et les deux bagues d'étanchéité (D) dans leur position originale. Il est recommandé de lubrifier les bagues d'étanchéité à l'aide d'un lubrifiant adéquat. **IMPORTANT** - L'amortisseur de la lampe (Y) à l'intérieur du manchon de quartz doit être placé entre la lampe et le bas du manchon de quartz. Ne pas l'enlever. **IMPORTANT** - **Les deux bagues d'étanchéité (D) du manchon de quartz (C) doivent être remplacées chaque fois que le filtre est ouvert.**

- Placer la bride de retenue (E) dans sa position originale. Pour ce faire, aligner la vis avec la flèche et pousser la bride de retenue vers le couvercle UV-C, tourner la bride de retenue d'environ 30 degrés dans le sens des aiguilles d'une montre vers la vis de fixation (K), puis fixer la bride de retenue en vissant la vis de fixation (K). (Fig. 7, Fig. 8 et Fig. 9).

- S'assurer que le manchon de quartz (C) n'est pas endommagé. Vérifier que toutes les pièces sont présentes et ont été réassemblées correctement. En cas de doute, consulter son détaillant Laguna.

- Remettre le couvercle UV-C (A) sur le couvercle du filtre (G), en s'assurant que la bague d'étanchéité intérieure (F) est placée correctement avant de fixer le couvercle UV-C à l'aide des vis (J).

- Fixer le couvercle UV-C (A) au couvercle du filtre en visser les 4 vis antiperte (J). **MISE EN GARDE - Risque de choc électrique : Avant de mettre la lampe en marche, s'assurer que TOUTES les bagues d'étanchéité sont de retour à leur position originale, que TOUTES les vis sont serrées et que le filtre n'a pas été endommagé. Avant de brancher le filtre, effectuer un essai humide du filtre (voir ci-dessous).**

- Le filtre est maintenant prêt pour le démarrage. Lire et suivre toutes les instructions des sections « Démarrage et fonctionnement du filtre » et « Lavage à contre-courant »

## ENTREPOSAGE POUR L'HIVER

L'appareil doit être protégé du gel. Durant l'hiver, on peut l'éteindre. On doit alors le vider de l'eau qu'il contient, le retirer de son installation et l'entreposer dans un endroit sec et à l'abri des intempéries. Il est conseillé de garder le couvercle du filtre ouvert durant l'entreposage.

## ESSAI HUMIDE DU FILTRE

Une fois le filtre complètement assemblé, on doit effectuer un essai humide avant de le brancher à l'alimentation électrique. Cet essai doit être répété chaque fois que la lampe et le manchon de quartz sont changés ou désassemblés.

- Installer le filtre en suivant toutes les instructions, mais NE PAS le brancher. Connecter seulement la pompe et la laisser fonctionner pendant 24 heures.
- Après 24 heures, débrancher la pompe et retirer le couvercle UV-C (A) du filtre en

dévisant les quatre vis (J). Ne pas désassembler plus de pièces.

- Examiner l'intérieur du manchon de quartz (C) pour les fuites. Si de l'eau se trouve dans le manchon de quartz et autour de la lampe, NE PAS brancher le filtre à l'alimentation électrique, mais plutôt l'apporter à un service autorisé Laguna ou contacter le Service à la clientèle de Laguna.

Si, au contraire, il n'y a pas d'eau à l'intérieur du manchon de quartz (C), réassembler le filtre avec soin et l'utiliser normalement, selon cette notice d'installation et d'entretien.

Pièces de rechange - 230-240 V, 50 Hz					
		PT1715 PF 3000 L	PT1716 PF 6000 L	PT1717 PF 10000 L	PT1718 PF 14000 L
Lampe UV-C + 2 bagues d'étanchéité	B	PT1601	PT1601	PT1602	PT1603
Manchon de quartz + 2 bagues d'étanchéité	C D	PT1605	PT1605	PT1606	PT1607

Pièces de rechange - 120 V, 60 Hz					
		PT1725 PF 1000 gal US	PT1726 PF 2000 gal US	PT1727 PF 3000 gal US	PT1728 PF 4000 gal US
Lampe UV-C + 2 bagues d'étanchéité	B	PT1701	PT1701	PT1603	PT1703
Manchon de quartz + 2 bagues d'étanchéité	C D	PT1704	PT1704	PT1607	PT1706

Pièces de rechange universelles (voir illustrations des produits)					
		Pressure-Flo 1000/3000	Pressure-Flo 2000/6000	Pressure-Flo 3000/10000	Pressure-Flo 4000/14000
2 bagues d'étanchéité pour manchon de quartz	D	PT1707	PT1707	PT1708	PT1708
Bride de retenue du manchon de quartz	E	PT1711	PT1711	PT1712	PT1712
Bague de retenue pour couvercle UV-C	F	PT1530	PT1530	PT1530	PT1530
Raccord universel autobloquant	H	PT640	PT640	PT640	PT640
Bouchon hermétique autobloquant	I	PT1543	PT1543	PT1543	PT1543
2 lames de nettoyage des blocs de mousse	L	PT1513	PT1513	PT1514	PT1514
Blocs de mousse	M	PT1735	PT1736	PT1737	PT1738
Bague d'étanchéité du couvercle du filtre	P	PT1535	PT1535	PT1536	PT1536
Bagues d'étanchéité en caoutchouc	aa	PT743	PT743	PT743	PT743

\* Voir illustrations des produits

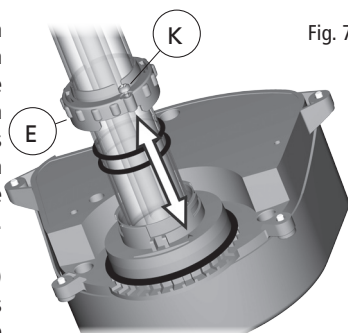


Fig. 7

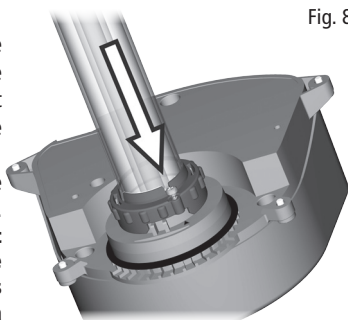


Fig. 8

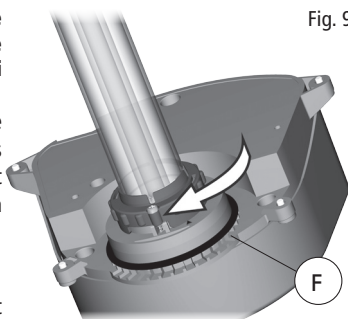


Fig. 9

## GARANTIE

**Pour souscrire votre garantie en ligne ou pour plus d'information, visitez notre site Web [www.hagen.com](http://www.hagen.com).** Ce produit est garanti contre tout défaut de matériau et de fabrication pour une période de trois (3) ans à partir de la date d'achat. Cette garantie est valide seulement dans les conditions normales d'utilisation pour lesquelles le produit a été conçu. Cette garantie ne s'applique à aucun appareil utilisé de façon inappropriée, avec négligence, ayant été modifié ou ayant subi des bris accidentels ou des dommages en raison d'un emballage défectueux ou d'une manutention inadéquate lors du transport. Cette garantie ne couvre pas l'usure normale des pièces et ne s'applique pas aux appareils qui ont été utilisés à des fins commerciales. L'ampoule UV-C n'est pas couverte par la garantie. Le fabricant ne peut être tenu responsable des pertes ou des dommages causés aux animaux et aux biens, quelle qu'en soit la raison. Cette garantie ne modifie pas vos droits prévus par la loi. Cette garantie ne couvre pas les dégâts ni les défauts causés par les dommages ou consécutifs aux dommages durant le transport ou la réparation, l'entretien ou la modification de l'article ou de ses pièces, qui ont été effectués par un technicien non autorisé par Rolf C. Hagen inc.

## RECYCLAGE

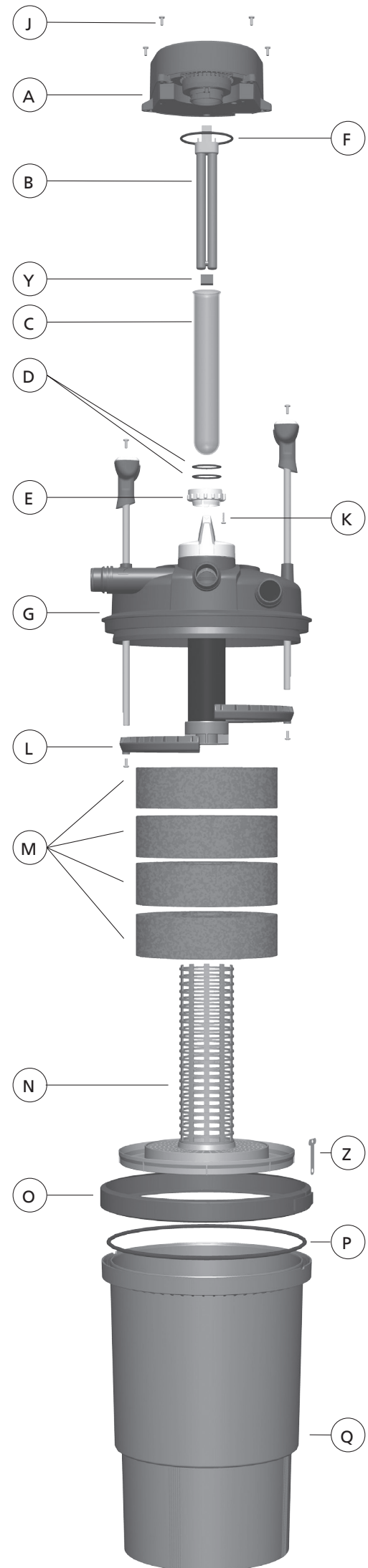
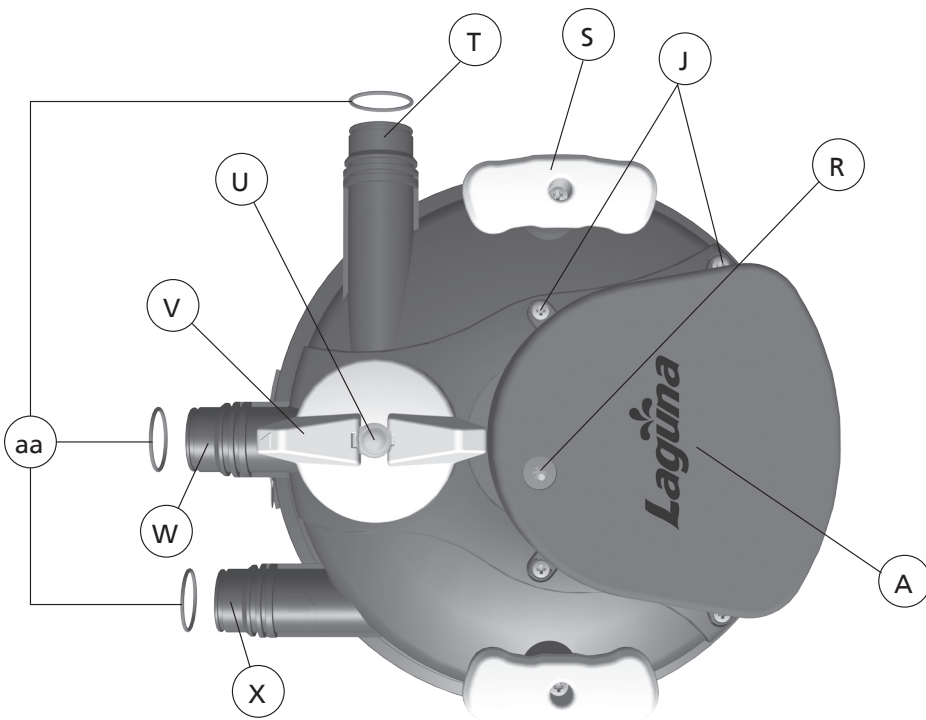
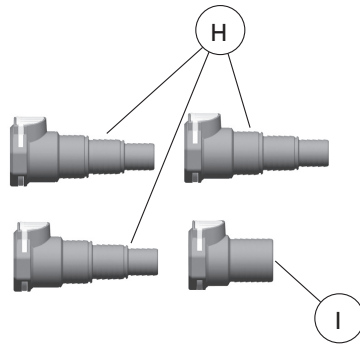
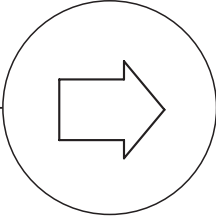
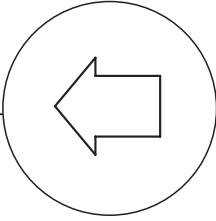
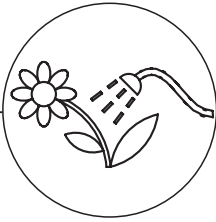
Ce produit porte le symbole de la collecte sélective des déchets d'équipements électriques et électroniques (DEEE), ce qui signifie qu'on doit éliminer ce produit conformément à la directive européenne 2002/96/EC afin de le recycler ou de le désassembler pour minimiser ses répercussions sur l'environnement. Pour plus d'information, vous renseigner auprès de votre administration locale ou régionale. Les produits électroniques non compris dans le processus de collecte sélective sont potentiellement dangereux pour l'environnement et la santé humaine en raison de leur contenu en matières dangereuses.



# Gebrauchsanleitung auf Deutsch

Beim Lesen der Gebrauchsanleitung beziehen Sie sich bitte auf diese Zeichnungen.

- A UV-C-Kopf
- B UV-C-Lampe
- C Quarzröhre
- D O-Ringe
- E Rückhaltering
- F O-Ring für den UV-C-Kopf
- G Filterdeckel
- H „Klick & Fertig“ Schnappverbinder
- I Dichtungskappe
- J Schrauben für den UV-C-Kopf
- K Schrauben für die Quarzröhre
- L Reinigungsarme
- M Schaumstoff
- N Schaumstoff-Stützrahmen
- O deckelklammer
- P O-Ring für den Filterdeckel
- Q Filterbehälter
- R Lampenanzeige
- S Reinigungshebel
- T Abfluss
- U Reinigungsanzeige
- V Ventil zur Steuerung der Betriebsart
- W Wasserauslass
- X Wassereinlass
- Y Lampendämpfer
- Z Sicherheits-Deckelverschluss
- aa Gummi-O-Ringe



## Teichfilter mit integrierter UVC-Einheit

Nur für den Gebrauch in Süßwasser geeignet. Bitte vor Montage und Inbetriebnahme genau lesen

### WICHTIGE SICHERHEITSHINWEISE

**WARNUNG: Um Verletzungen zu vermeiden, sind u.a. die folgenden grundlegenden Sicherheitsmaßnahmen zu beachten:**

1. LESEN UND BEFOLGEN SIE ALLE SICHERHEITSHINWEISE sowie alle wichtigen auf dem Gerät angebrachten Hinweise, bevor Sie das Gerät in Betrieb nehmen. Die Nichtbeachtung dieser Hinweise kann Schäden am Gerät oder Verletzungen nach sich ziehen.
- GEFÄHR– Da elektronisches Teichzubehör im bzw. am Wasser eingesetzt wird, ist mit besonderer Sorgfalt vorzugehen, um die Möglichkeit eines Stromschlags auszuschließen. Sollte eine der folgenden Situationen auftreten, versuchen Sie nicht, die entsprechenden Reparaturen selbst durchzuführen. Sofern noch ein Gewährleistungsanspruch besteht, bringen Sie das Gerät in das Geschäft zurück, wo Sie es gekauft haben.
- Dieser Filter ist ein wetterfester, aber kein tauchfähiger Filter. Tauchen Sie den Filter niemals unter Wasser! Wenn der Filter ins Wasser fällt, versuchen Sie nicht den Filter zu greifen, sondern ziehen Sie zuerst den Netzstecker und ziehen Sie den Filter dann aus dem Wasser.
2. Bevor Sie den Filter in Betrieb nehmen, prüfen Sie, ob die Quarzröhre (C) und die UV-C-Lampe intakt und nicht durch den Transport beschädigt sind. Quarzröhre und UV-Lampe bestehen aus Glas; behandeln Sie sie mit äußerster Vorsicht. Berühren Sie die UV-Lampe niemals mit bloßen Händen, da dies eine Verringerung der Leistungsfähigkeit zur Folge hat.
- Falls das Gerät irgendwelche Anzeichen eines ungewöhnlichen Wasseraustritts aufweist oder falls der Fehlerstromschutzschalter (FI) sich ausschaltet, ziehen Sie den Netzstecker und entfernen Sie das Gerät aus dem Wasser.
- Überprüfen Sie das Gerät nach der Montage sorgfältig. Es sollte nicht an das Stromnetz angeschlossen werden, falls Wasser auf Teile gelangt ist, die nicht nass werden dürfen. Wenn elektrische Teile des Gerätes nass werden, müssen Sie das Gerät umgehend vom Stromnetz trennen.
- Nehmen Sie kein Gerät in Betrieb, an dem Kabel oder Netzstecker Beschädigungen aufweisen, an dem Betriebsstörungen aufgetreten sind oder das in irgendeiner Weise starken Erschütterungen (etwa durch Herunterfallen des Geräts) ausgesetzt oder anderweitig beschädigt wurde. Das Stromkabel an diesem Gerät lässt sich nicht ersetzen. Bei Beschädigung darf das Kabel ausschließlich von einem autorisierten Laguna Händler ausgetauscht werden. Niemals das Kabel abschneiden.
3. **WARNUNG** – Dieses Gerät verfügt über eine UV-C-Einheit. Die direkte Bestrahlung mit ultraviolettem Licht kann Schäden an Augen und Haut bewirken. Nehmen Sie die UV-C-Einheit niemals in Betrieb, wenn sie sich außerhalb des Gerätes befindet.
4. **WARNUNG** – Das Gerät ist nicht für den Gebrauch durch Personen (einschließlich Kindern unter 8 Jahren) mit eingeschränkten körperlichen, sensorischen oder geistigen Fähigkeiten oder durch Personen mit wenig Erfahrung im Umgang mit technischen Geräten geeignet, außer wenn diese Personen vor der Nutzung des Gerätes entsprechende Bedienungsanweisungen erhalten oder sie unter Aufsicht einer Person stehen, die für ihre Sicherheit verantwortlich ist. Kinder sollten stets beaufsichtigt werden, damit sie nicht mit dem Gerät herumspielen. Während der Wartung oder Reinigung sollten Kinder ebenfalls stets beaufsichtigt werden.
5. Um Verletzungen zu vermeiden, berühren Sie keine sich bewegenden oder heißen Teile.
6. **ACHTUNG** – Vor Eintauchen der Hände ins Wasser, An- oder Abbau von Teilen oder während der Montage oder Wartung unbedingt Netzstecker aller Geräte innerhalb des Teiches ziehen. Nie am Kabel ziehen, um den Netzstecker aus der Steckdose zu ziehen, sondern Netzstecker umfassen und daran ziehen. Netzstecker ziehen, wenn Geräte nicht in Benutzung sind.
7. Dies ist eine Filtereinheit mit integriertem UV-Sterilisator für den Gebrauch in Süßwasser-Gartenteichen im Freien. Verwenden Sie das Gerät nicht für Zwecke, für

die es nicht vorgesehen ist. Eine unzureichende Verwendung des Gerätes oder ein beschädigter Behälter können dazu führen, dass UV-C-Strahlung hervortritt. UV-C-Strahlung kann – auch in kleinen Dosen – für Augen und Haut schädlich sein.

- Verwenden Sie diesen Filter nicht in Schwimmbecken oder anderen Situationen, in denen sich Menschen im Wasser befinden.
  - Dieses Gerät eignet sich für die Verwendung bei Wassertemperaturen zwischen 4 °C und 35 °C.
  - Verwenden Sie dieses Gerät nicht mit brennbaren oder trinkbaren Flüssigkeiten.
  - Die Verwendung von nicht durch den Hersteller empfohlenen oder verkauften Anbauteilen kann die Sicherheit beeinträchtigen und macht Ihre Gewährleistungsansprüche unwirksam.
  - 8. Montieren oder lagern Sie das Gerät nicht an Orten, an denen es der Witterung oder Temperaturen nahe oder unter dem Gefrierpunkt ausgesetzt ist. Wenn es friert, müssen Sie den Filter vom Stromnetz trennen und das Wasser aus dem Filterbehälter ablassen. Im Winter sollten Sie das Gerät an einem geschützten Platz lagern.
  - 9. Schützen Sie das Gerät ebenfalls vor direkter Sonneneinstrahlung. Das Material zeichnet sich durch eine hohe Widerstandsfähigkeit gegenüber Sonnenlicht aus, aber direkte Sonneneinstrahlung kann den Motor überhitzen und den Alterungsprozess der Isolierung beschleunigen.
  - Um eine Überhitzung zu vermeiden, stellen Sie bitte keine Gegenstände auf den Filter.
  - Dieses Gerät sollte an einem Ort aufgestellt werden, an dem es nicht in das Wasser fallen kann. Installieren Sie es nicht an einem Ort, an dem der Teich überlaufen oder sich Wasser ansammeln kann. Es sollte mindestens 1 m vom Rand des Gartenteiches aufgestellt werden – an einem trockenen und geschützten Platz mit ausreichend Belüftung um das Gerät herum. Achten Sie darauf, dass Sie ausreichend Platz für die Wartung um das Gerät herum haben.
  - 10. **WICHTIG** – Der maximale Betriebsdruck beträgt 0,4 Bar oder 5,8 PSI. Schließen Sie den Filter nie an die Hauswasserleitung an.
  - 11. Versuchen Sie nicht, die Deckelklammer (O) zu öffnen und den Deckel abzunehmen, wenn die Pumpe und der Filter in Betrieb sind. Der Riegel der Deckelklammer verfügt über einen Sicherheitsmetalleinsatz, der ein versehentliches Öffnen verhindert.
  - 12. Falls die Verwendung eines Verlängerungskabels erforderlich ist, achten Sie darauf, dass die Verbindung wasserdicht und staubdicht ist. Verwenden Sie ein Kabel mit einer angemessenen Leistungstärke. Kabel, die auf weniger Ampere oder Watt ausgelegt sind als das Gerät, können überhitzen. Achten Sie darauf, das Verlängerungskabel so zu verlegen, dass man nicht darüber stolpert oder es herauszieht.
  - 13. **WICHTIG** – Die elektrischen Verbindungen müssen in Übereinstimmung mit den Daten auf dem Leistungsetikett durchgeführt werden. Das Gerät kann nur in Betrieb genommen werden, wenn es ordnungsgemäß installiert wurde. Die elektrische Sicherheit ist nur garantiert, wenn das Gerät mit einer Fehlerstrom-Schutzeinrichtung verbunden ist, die einen Ansprech-Fehlerstrom nicht über 30 mA hat.
  - 14. **WARNUNG** – Schließen Sie den Filter nie an das Stromnetz an, bevor der Filter vollständig und korrekt montiert wurde. Betreiben Sie den Filter nie ohne Wasser. Der Filter muss immer vollständig mit Wasser gefüllt sein, wenn der Filter benutzt wird.
  - 15. **WARNUNG** – Risiko eines elektrischen Schlages – Dieses Gerät ist mit einem geerdeten 3-Leiter-Kabel und Schuko-Stecker ausgerüstet. Um das Risiko eines elektrischen Schlages zu reduzieren, achten Sie darauf, dass der Filter an eine Schuko-Steckdose angeschlossen wird. Die Steckdose muss mit einer Fehlerstrom-Schutzeinrichtung mit 30mA ausgestattet sein.
- WARNUNG:** Graben Sie das Netzkabel nicht ein. Verlegen Sie das Netzkabel an geeigneter Stelle, um Beschädigungen durch Rasenmäher, Heckenscheren oder andere Geräte zu vermeiden. Für sogenannte feste Installationen müssen ggf. Rohre zur Kabelführung verwendet werden. Diese Installation sollte nur durch Elektro-Fachkräfte vorgenommen werden.

## BEWAHREN SIE DIESE ANLEITUNG AUF

Filterdetails	Pressure Flo 1000/3000	Pressure Flo 2000/6000	Pressure Flo 3000/10000	Pressure Flo 4000/14000
Größe der Einheit (Durchmesser x Höhe)	ø11.2" - 13.7" H ø28,5 cm - 35 cm H	ø11.2" - 20" H ø28,5 cm - 51 cm H	ø14.3" - 20.6" H ø36,5 cm - 52,5 cm H	ø14.3" - 25.2" H ø36,5 cm - 64 cm H
Behälterhöhe	9" (23 cm)	15.2" (38,5 cm)	15.7" (40 cm)	19.7" (50 cm)
Behältervolumen	2.6 U.S. gal (10 l)	4.6 U.S. gal (17,5 l)	8.2 U.S. gal (31 l)	10.6 U.S. gal (40 l)
Schaumstoffmenge	3	4		5
Bio-Lava/Bio-Rock	-	1600 g	3200 g	4800 g
Größe der Schlauchverbindung	¾", 1", 1 ¼" (19, 25, 32 mm); Buchse 1 ¼" (32 mm)			
UV-C-Lampe	120 V - 60 Hz	13W	24 W	36 W
	230-240 V - 50 Hz	11W	18 W	24 W
Empfohlene Laguna Max-Flo Pumpe <sup>1</sup>	PT8232	PT8236	PT8244	PT8248
Empfohlene Gesamtlänge des Schlauches <sup>2</sup>	13 ft - 4 m		19 ft - 6 m	26 ft - 8 m
Minimaler Durchmesser des Schlauches für eine ausgezeichnete Leistung	1-¼"			
Empfohlene maximale Wasserfallhöhe für eine ausgezeichnete Leistung	24" - 60 cm		39" - 100 cm	

Der Filter muss während der warmen Sommermonate häufiger gewartet werden.

1 Wenn Ihr Wasserfall höher ist als das oben angegebene Maximum, wählen Sie eine stärkere Pumpe.

2 Gesamtlänge von Auslass + Einlass dient nur als Referenz. Die finale Durchflussrate hängt von verschiedenen Faktoren ab, wie zum Beispiel der Länge und dem Durchmesser des Schlauches, Knicken im Schlauch oder der Höhe des Wasserfalls.

## INHALT

Bevor Sie beginnen, überprüfen Sie bitte, ob folgende Gegenstände in der Packung vorhanden sind:

- Pressure-Flo Filter
- UV-C-Lampe, bereits installiert
- 3 Schaumstofffilter (PF 1000/PF 3000), 4 Schaumstofffilter (PF 2000/PF 6000 & PF 3000/PF 10000), 5 Schaumstofffilter (PF 4000/PF 14000)
- Biologisches Medium (außer bei PF 1000/PF 3000 UVC)
- 1 Filterdeckel-O-Ring (P); wird in einer separaten Plastiktüte geliefert
- 3 „Klick & Fertig“ Schnappverbinder (H) für ¾“, 1“ und 1-¼“ (19, 25, & 32 mm) dicke Schläuche
- 1 „Klick & Fertig“ Schnappverbinder-Dichtungskappe (I)
- Bedienungsanleitung
- Sicherheits-Deckelverschluss (Z)
- 3 Gummi-O-Ringe (aa)

## VERWENDUNGSZWECK

Der Pressure-Flo Filter ist ein abgedichteter Druckfilter mit einem integrierten UV-C-Teichklärer, der für eine mechanische und biologische Filterung in dekorativen Süßwassergartenteichen mit einer Temperatur von +4 °C bis zu 35 °C mit oder ohne Fische konzipiert ist. Der Zweck der mechanischen Filterung ist es, Ablagerungen und Abfallstoffe aus dem Teich aufzufangen und zu sammeln. Der Zweck der biologischen Filterung ist es, giftige Abfallprodukte aus dem Stoffwechsel der Fische und andere organische Abfallstoffe in weitaus weniger schädliche Substanzen zu verwandeln. Der Zweck der UV-C-Filterung ist es, das Wachstum von einzelligen Schwebelagen zu verhindern.

## DIE ARBEITSWEISE DES PRESSURE-FLO FILTERS

Pressure-Flo Filter sind für die Durchführung von drei wichtigen Filterfunktionen konzipiert, die unerlässlich für ein klares und gesundes Teichwasser sind: mechanische und biologische Filterung und eine UV-C-Teichklärung. Die Filter sind für die Arbeit hinter einer Pumpe für Feststoffe konzipiert. Die besten Ergebnisse werden mit einer Laguna Max-Flo Umwälzpumpe erzielt. Wenn der Filter mit dem Auslass der Pumpe verbunden ist, fließt das Wasser durch den Wassereinlass (X). Es muss dann gezwungenermaßen durch die mechanische Filterebene fließen, die aus Schaumstoffeinsätzen besteht und die Schmutz und Ablagerungen auffangen. Als nächstes fließt das Wasser durch die biologische Filterkammer\*, in der es mit Nutzbakterien in Berührung kommt. Am Ende fließt das schmutzfreie Wasser an der UV-C-Lampe (B) vorbei, wo es ultravioletten Strahlen ausgesetzt wird, die das Vorkommen von Schwebelagen vermindern und verhindern. Das Wasser fließt dann durch den Wasserauslass (W) zurück in den Teich.

\* Im Pressure-Flo 1000/3000 UVC ist die biologische Filterkammer nicht enthalten.

## RÜCKSPÜLSYSTEM

Während des Betriebes sammeln sich grobkörnige Ablagerungen an der Oberfläche der Schaumstofffilter an. Früher oder später, abhängig von dem Zustand des Teiches, wird die äußere Oberfläche des Schaumstofffilters verstopfen und wird aufgrund eines verminderten Wasserdurchflusses eine ordentliche Filterung verhindert. Der begrenzte Wasserdurchfluss durch die Schaumstofffilter vermindert die Effektivität sowohl der biologischen als auch der UV-C-Filterung. Dieser Zustand kann dank der Reinigungsanzeige (U) leicht erkannt werden. Pressure-Flo Filter arbeiten mit einem einzigartigen Rückspülsystem, das die gesamte Oberfläche der mechanischen Schaumstofffilter vollständig reinigt. Der gesamte Reinigungsprozess kann einfach und praktisch innerhalb weniger Minuten von statten gehen, ohne dass die Einheit geöffnet werden muss. Die Reinigung stellt sicher, dass die Filterleistung optimal läuft. Obwohl das Rückspülsystem die Zeit zwischen den Wartungen verlängert, sind regelmäßige, gründliche Reinigungen der Einheit durchaus notwendig. Siehe Reinigung und Wartung des Pressure-Flo für weitere Informationen.

## REINIGUNGSANZEIGE

Diese Einheit arbeitet mit einer Reinigungsanzeige (U), an der Sie erkennen können, wann der Filter eine Rückspülung oder eine Reinigung benötigt. Die Höhe des roten Anzeigers ist etwa proportional zu dem Grad der Verstopfung des Filters. Wenn der rote Anzeiger unten ist, ist der Filter sauber. Wenn der rote Anzeiger ganz aus dem Gehäuse hervortritt, muss der Filter gereinigt werden. Die Reinigungsanzeige kann von vielen verschiedenen Komponenten beeinflusst werden, wie z.B. der Höhe eines Wasserfalls und der Pumpenleistung. Ihre Betriebseigenschaften wurden auf die dazugehörigen speziellen Betriebsbedingungen, die in der Tabelle „Die Auswahl der richtigen Pressure-Flo und Max-Flo Pumpe für Ihren Teich“ aufgeführt werden, abgestimmt. Andere Betriebsbedingungen können zu abweichenden Ergebnissen führen.

## DIE AUSWAHL DER RICHTIGEN PRESSURE-FLO UND MAX-FLO PUMPE FÜR IHREN TEICH

Gehen Sie nach der Tabelle auf Seite 2 vor. Wählen Sie für die Größe und die Bedingungen Ihres Teiches die richtige Kombination aus einer Laguna Max-Flo Pumpe und einem Pressure-Flo Filter aus. Aufgrund der vielen verschiedenen Konstellationen gelten die Empfehlungen lediglich als allgemeiner Leitfaden.

## MONTAGE

### Lage des Filters

Wählen Sie einen passenden Ort für Ihren Pressure-Flo Filter. Achten Sie dabei auf die folgenden Empfehlungen:

- Stellen Sie den Pressure-Flo Filter an einen Ort, an dem er auf einem stabilen und waagerechten Untergrund steht und an dem er sicher vor Überschwemmungen ist und ausreichend Lüftung hat. Schützen Sie die Einheit vor direkter Sonneneinstrahlung.
- Er kann entweder auf den Boden gestellt oder eingegraben werden, so dass die Deckelklammern mindestens 5 cm über der Erde liegen.
- Um eine Überhitzung zu vermeiden, darf der Filter nicht abgedeckt werden.
- Stellen Sie den Filter in einer Entfernung von mindestens 1 Meter vom Rand des Gartenteichs auf und stellen Sie sicher, dass er nicht in das Wasser fallen kann.

- Überprüfen Sie, ob Sie für eine Wartung jederzeit Zugang zu dem Deckel der Einheit haben.
- **Betreiben Sie den Filter mit einem Wasserdruck von weniger als 0,4 Bar oder einem Druck von 5,8 PSI. Verbinden Sie den Pressure-Flo Filter nie mit der öffentlichen Wasserversorgungsanlage.**
- Richten Sie den Filter so aus, dass der Wasser-Einlass (X), der Wasserauslass (W) und der Abfluss (T) in die gewünschte Richtung zeigen, um Knicke in den Schläuchen zu vermeiden.

## SCHLAUCHVERBINDUNGEN

Pressure-Flo Filter benötigen 3 Schläuche (nicht enthalten): einen am Einlass in die Einheit (aus der Teichpumpe), einen am Auslass, aus dem das gefilterte Wasser zurück in den Teich geht und einen, um schmutziges Wasser während einer Wartung aus dem Filter an einer Stelle außerhalb des Teiches abzulassen. Wenn Sie für Ihren Gebrauch einen Schlauch auswählen und montieren, maximieren Sie die potentielle Durchflussrate, indem Sie den dicksten und den kürzest möglichen Schlauch wählen und Knicke vermeiden. Pressure-Flo Filter sind mit 3 Universal-„Klick & Fertig“ Schnappverbindern (H) ausgerüstet, was das Anbringen und Abziehen der Schläuche schnell und einfach macht. Verbinden Sie flexible Schläuche mit den Schnappverbindern und sichern Sie sie mit angemessenen Schlauchklammern (nicht enthalten).

**WICHTIG: Universal-„Klick & Fertig“ Schnappverbinder (H) gestatten die Verbindung zu verschiedenen dicken flexiblen Schläuchen; es ist jedoch wichtig, die weniger dicken, nicht gebrauchten Schlauchenden abzuschneiden, um eine Minderung der Durchflussrate zu vermeiden.**

Wenn flexible Schläuche sicher mit den Schnappverbindern verbunden sind, können Sie die Schläuche von der Einheit trennen, indem Sie einfach den Schnappverschluss drücken und an den Schläuchen ziehen. Um Schnappverbinder an der Einheit anzubringen, stecken Sie sie auf den Stecker, der sich auf dem Deckel der Einheit befindet und überprüfen Sie, ob der Schnappverschluss-Hebel vollständig hervorsteht.

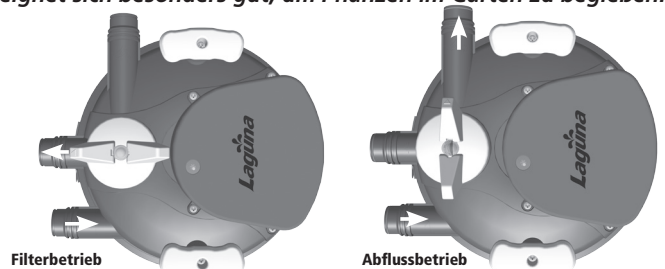
**Wassereinlass (X):** Der Wassereinlass befindet sich dort, wo das Teichwasser in den Pressure-Flo Filter fließt. Verbinden Sie einfach den Auslass einer Laguna Max-Flo Pumpe für Feststoffe mit dem Einlass des Pressure-Flo (X), indem Sie einen Laguna Schlauch benutzen, der sich nicht knicken lässt. Die Pumpe bewegt schmutziges Wasser aus dem Teich zu dem Pressure-Flo Filter.

**Wasserauslass (W):** Wenn der Filter als Filter arbeitet, befördert der Wasserauslass gefiltertes Wasser zurück in den Teich. Schläuche, die mit dem Wasserauslass (W) verbunden sind, können direkt in den Teich gelegt werden oder können so benutzt werden, um einen Wasserlauf oder Wasserfall zu bilden. Dieser Auslass wird aktiviert, wenn das Ventil zur Steuerung der Betriebsart (V) in Richtung des Wasserauslasses (W) zeigt (Filterbetrieb). Das Ende des Auslassschlauches sollte so weit wie möglich von dem Pumpeneinlass entfernt gelegt werden, um die Wasserzirkulation im Teich so groß wie möglich zu halten.

**Abfluss (T):** Durch den Abfluss läuft das schmutzige Wasser ab, wenn man das Rückspülsystem benutzt. Verbinden Sie einen Schlauch mit dem Abfluss, um schmutziges Wasser aus dem Filter in den Garten zu leiten (siehe untenstehenden Tipp). Dieser Abfluss wird aktiviert, wenn das Ventil zur Steuerung der Betriebsart (V) in Richtung des Abflusses (T) zeigt (Abflussbetrieb).

**WICHTIG: Während des normalen „Filterbetriebes“ schließen Sie den Abfluss (T), indem Sie die „Klick & Fertig“ Dichtungskappe (I) benutzen.**

**Tipp: Schmutziges Teichwasser ist reich an Nährstoffen und chlorfrei und eignet sich besonders gut, um Pflanzen im Garten zu begießen.**



## INBETRIEBNAHME UND BETRIEB DES FILTERS UND RÜCKSPÜLUNG

**WICHTIG! – Überprüfen Sie vor der ersten und jeder danach folgenden Inbetriebnahme immer das Folgende:**

- Vor der ersten Inbetriebnahme müssen Sie den Filterdeckel-O-Ring (P) montieren, der in einem separaten Plastikbeutel mitgeliefert wird. Dieser O-Ring muss ordentlich an seinem Platz oben am Filterkanister eingesetzt werden. (Abb. 1)
- In diesem Filter ist die UV-C-Lampe bereits installiert. Bevor Sie den Filter mit dem Stromnetz verbinden, müssen Sie den Filter-Nässe-Test durchführen. Bitte entnehmen Sie die genauen Anleitungen hierfür dem Abschnitt „Wechsel der UV-C-Lampe und Reinigung der

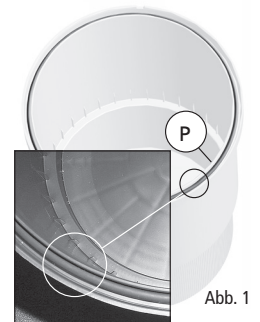


Abb. 1

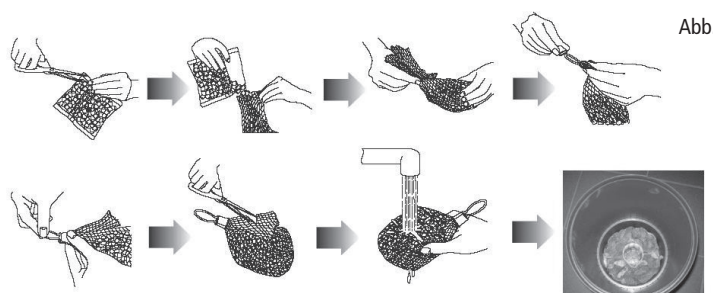


Abb. 2

Quarzröhre".

- Das biologische Medium muss, wie in Abbildung 2 gezeigt, in den Filterbehälter eingesetzt werden (außer bei Pressure-Flo 1000/3000 UV-C)
- Überprüfen Sie, ob der Deckel (G) sicher mit der Deckelklammer (O) verschlossen ist und ob der O-Ring (P) richtig an seinem Platz sitzt. **WICHTIG:** Bevor Sie die Deckelklammer (O) anbringen, muss der Deckel (G) ganz heruntergedrückt werden, bis die Lücke zwischen Deckel und Filtergehäuse ganz verschwindet. Die Deckelklammer muss mit dem Sicherheits-Deckelverschluss richtig in der Kerbe des Schnappverschlusses einrasten. **WARNUNG:** Seien Sie vorsichtig, dass Sie nicht Ihre Finger oder das Netzkabel einklemmen, wenn die Deckelklammer in der Kerbe einrastet. Zur Sicherung kann ein Stützverschluss (nicht enthalten) in das untere Loch des Sicherheits-Deckelverschlusses (Z) gesteckt werden.
- Der Schalter zur Steuerung der Betriebsart (V) muss auf den „Filterbetrieb“ eingestellt sein; der Schalter weist in Richtung des Wasserauslasses (W). **Der Schalter (V) muss um volle 90° gedreht werden; stellen Sie ihn nicht auf eine dazwischen liegende Position.**
- Stellen Sie sicher, dass alle Schläuche ordentlich mit der Einheit verbunden wurden und sich in ihrer endgültigen Position befinden. Stellen Sie sicher, dass an den Steckpartien der „Klick & Fertig“ Schnappverbinder Gummi-O-Ringe (aa) angebracht wurden.



Abb. 3

**Während des normalen „Filterbetriebes“ schließen Sie den Abfluss (T), in dem Sie die „Klick & Fertig“ Dichtungskappe (I) benutzen. Überprüfen Sie immer, ob die „Klick & Fertig“ Dichtungskappe fest auf ihrem Platz sitzt (den Hebel vollständig nach oben drücken).**

**VORSICHT: Benutzen Sie die UV-C Lampe (B) nicht, ohne dass Wasser durch die Einheit fließt.**

**Nachdem Sie Obenstehendes überprüft haben, gehen Sie wie folgt vor:**

1. Stellen Sie die Pumpe an und betreiben Sie den Filter für einige Minuten, um ihn auf undichte Stellen hin zu überprüfen.
2. Wenn alles in Ordnung ist und das Wasser gleichmäßig durch die Einheit fließt, verbinden Sie die Pressure-Flo UV-C-Lampe mit dem Stromnetz. Die UV-Lampenanzeige (R) schimmert blau, wenn die UV-C-Lampe in Betrieb ist; im Dunklen ist das Licht besser zu erkennen.

Lassen Sie den Filter 24 Stunden am Tag in Betrieb und idealerweise das ganze Jahr hindurch, vorausgesetzt, dass es keinen Frost gibt und dass das Wasser ungehindert durch die Einheit fließen kann.

## RÜCKSPÜLSYSTEM

Wenn die Schaumstoffoberfläche verstopft, bringt das Rückspülsystem einen normalen Filterbetrieb schnell und effizient zurück, ohne dass die Einheit geöffnet werden muss. Die Einheit sollte mindestens einmal pro Woche gereinigt werden oder dann, wenn die Reinigungsanzeige (U) anzeigt, dass der Filter verstopft oder schmutzig ist oder wenn trübes Wasser aus dem Filter kommt. Wenn der Teich sehr schmutzig ist und während der ersten Wochen des Filterbetriebes, sollte der Filter häufiger gereinigt werden. Gehen Sie wie folgt vor:

1. Bitte trennen Sie die Teichpumpe vom Stromnetz.
  2. Entfernen Sie die „Klick & Fertig“ Dichtungskappe von dem Abfluss (T). **VORSICHT:** Es wird ein Wasserstrahl aus dem Abfluss kommen.
  3. Verbinden Sie den Abflussschlauch mit dem Abfluss (T) und überprüfen Sie, dass er das schmutzige Wasser in die gewünschte Richtung befördert.
  4. Drehen Sie das Ventil zur Steuerung der Betriebsart (V) auf Abflussbetrieb (drehen Sie den Schalter ganz in Richtung des Abflusses (T)). Es kann sein, dass danach noch ein wenig Wasser aus dem Wasserauslass (W) austritt. Dies ist normal. Um dies zu verhindern, entfernen Sie den Universal-„Klick & Fertig“ Schnappverbinder aus dem Wasserauslass und befestigen Sie die „Klick & Fertig“ Dichtungskappe.
  5. Bitte verbinden Sie die Teichpumpe mit dem Stromnetz.
  6. Bewegen Sie beide Reinigungshebel (S) auf und ab. Durch die Auf- und Abwärtsbewegung schaben die Reinigungsarme an der Oberfläche der Schaumstoffpatronen. So werden Ablagerungen entfernt und in die äußere Kammer des Filters geschoben. Dort wird das Wasser mit den heraus geschobenen Ablagerungen durch den Abfluss (T) aus dem Filter geleitet. Fahren Sie so für einige Minuten weiter fort, bis Sie klares Wasser durch den Abflussschlauch kommen sehen.
  7. **VORSICHT:** Dieses Reinigungssystem arbeitet mit Teichwasser. Dies muss bei diesem Reinigungssystem in Betracht gezogen werden. Zum Schluss füllen Sie den Teich wieder bis zu dem gewünschten Wasserpegel auf.
  8. Bitte trennen Sie die Teichpumpe vom Stromnetz.
  9. Drehen Sie den Schalter zur Steuerung der Betriebsart (V) auf Filterbetrieb (drehen Sie den Schalter ganz auf den Wasserauslass (W)). Der Filter ist nun im normalen „Filterbetrieb“. Es ist normal, wenn jetzt für ein paar Sekunden grünes Wasser aus dem Filter fließt.
  10. Dichten Sie den Abfluss (T) mit der „Klick & Fertig“ Dichtungskappe (I) ab. Überprüfen Sie, ob sie fest eingerastet ist (ziehen Sie den Hebel ganz nach oben). Sollte der Filter nach dieser Maßnahme verstopft bleiben, überprüfen Sie bitte die Reinigungsanzeige und schauen Sie, ob sie sauber ist und einwandfrei funktioniert (bitte entnehmen Sie genaue Angaben dazu in Punkt 11 in Reinigung des Schaumstoffes und des biologischen Filtermediums). Sollte die Reinigungsanzeige weiterhin anzeigen, dass der Filter verstopft ist, führen Sie eine vollständige Reinigung des Schaumstoffes und des biologischen Filtermediums durch.
  11. Bitte verbinden Sie die Teichpumpe mit dem Stromnetz.
- Sollte der Filter weiterhin verstopft sein, führen Sie eine vollständige Reinigung des Schaumstoffes und des biologischen Filtermediums durch.

## REINIGUNG UND WARTUNG DES PRESSURE-FLO FILTERS

### WARNUNGEN:

- Versuchen Sie nicht die Deckelklammer (O) zu öffnen oder den Deckel anzuheben, wenn die Pumpe und der Filter in Betrieb sind. Die Deckelklammer verfügt über einen Sicherheits-Metalleinsatz, der eine versehentliche Öffnung verhindert.

- **VERSUCHEN SIE NICHT DIE LAMPE ZU ÜBERPRÜFEN, WENN SIE ERLEUCHTET IST!** Bei direkter Einwirkung von ultraviolettem Licht können Augen und Haut verletzt werden.
- Die UV-C-Lampe (B) und die Quarzröhre (C) bestehen aus Glas. Gehen Sie vorsichtig mit allen Teilen um.
- Stellen Sie sicher, dass die elektrischen Teile im Inneren des Gerätes vor, während und nach einer Wartung trocken sind.
- Bedenken Sie immer, dass der Schalter zur Steuerung der Betriebsart (V) das Wasser einfach umleitet, es aber nicht aufhält.

## REINIGUNG DES SCHAUMSTOFFES UND DES BIOLOGISCHEN MEDIUMS

Zu Beginn der Teichsaison oder wenn Sie mit dem Rückspülsystem nicht das gewünschte Ergebnis erzielen, kann es eventuell nötig sein, den Schaumstoff gründlich zu waschen oder sogar zu erneuern. Während der heißen Sommermonate müssen Reinigungen häufiger durchgeführt werden. Bei dieser Reinigung kann auch das biologische Medium gereinigt und/oder erneuert werden (außer bei Pressure-Flo 1000/Pressure-Flo 3000 UVC).

1. Stellen Sie die UV-C-Lampe (B) ab, indem Sie den Stecker der Einheit vom Stromnetz trennen.
2. Stellen Sie die Pumpe ab, die den Pressure-Flo Filter versorgt.
3. Trennen Sie alle Schläuche von der Einheit, indem Sie alle „Klick & Fertig“ Schnappverbinder lösen (drücken Sie den Hebel und ziehen Sie).
4. Ziehen Sie die Reinigungshebel (S) vorsichtig bis zum maximalen Auszug aus dem Filter heraus.
5. Entfernen Sie den Sicherheitseinsatz von der Metall-Deckelklammer (O). Entriegeln Sie die Metall-Deckelklammer.
6. Entfernen Sie den Deckel (G) entweder, indem Sie die Reinigungshebel umfassen oder indem Sie einen Schlitzschraubendreher vorsichtig in die seitlichen Kerben stecken und den Deckel so anheben. **VORSICHT – Drücken Sie die Führungsstangen nicht mit Gewalt zur Seite, da dies die Einheit beschädigen kann.**

**VORSICHT:** In dem Deckel sitzt die UV-C-Einheit mit der Lampe und der Quarzröhre, die aus Glas bestehen. GEHEN SIE VORSICHTIG MIT DIESEN TEILEN UM.

7. Nun kommen Sie an die Schaumstofffilter (M) heran. Entfernen Sie alle gleichzeitig, indem Sie den inneren Schaumstoff-Stützrahmen (N) umfassen und herausziehen.
8. Lösen Sie den Schaumstofffilter (M) von dem Schaumstoff-Stützrahmen (N) und spülen Sie ihn mit Teichwasser ab oder erneuern Sie ihn, wenn nötig.
9. Spülen Sie das biologische Medium, das sich in dem unteren Teil des Filterbehälters (Q) befindet, mit Teichwasser ab oder erneuern Sie es, wenn nötig. Der Pressure-Flo 1000/3000 UVC hat keine Kammer für biologische Medien.
10. Reinigen Sie das Filtergehäuse (Q) mit Wasser, besonders am oberen Rand, an dem der Filterdeckel-O-Ring (P) sitzt.
11. Falls notwendig, reinigen Sie die Reinigungsanzeige (U) nach dem Ausbau wie folgt (der Schalter zur Steuerung der Betriebsart (V) muss auf „Filterbetrieb“ gestellt sein): 1): Entfernen Sie den Rückhalter, indem Sie ihn gegen den Uhrzeigersinn drehen; 2): Entfernen Sie den Anzeiger und seine Feder. Spülen Sie alle Teile mit Wasser ab und bauen Sie sie vorsichtig wieder zusammen. (Abb. 4 & 5).
12. Überprüfen und reinigen Sie die beiden Schaumstoff-Reinigungsbürsten (L) und die Führungsstange. Wenn nötig, erneuern Sie die Bürsten. Jede Bürste kann leicht von der Führungsstange gelöst werden, in dem man die Schraube in der Mitte abschraubt.
13. Setzen Sie den Schaumstoff und das biologische Filtermedium an ihre ursprüngliche Position zurück. Stellen Sie sicher, dass die Schaumstofffilter ordentlich gestapelt sind, ohne dass ein Freiraum zwischen ihnen entsteht.
14. Bauen Sie die Einheit vorsichtig wieder zusammen. Überprüfen Sie, ob das biologische Filtermedium nicht den Schaumstoff-Stützrahmen (N) behindert und dieser Rahmen wieder richtig eingesetzt wurde.
15. Der Filter kann nun in Betrieb genommen werden. Lesen und folgen Sie allen Hinweisen in *Benutzung und Betrieb des Filters und Rückspülung*.

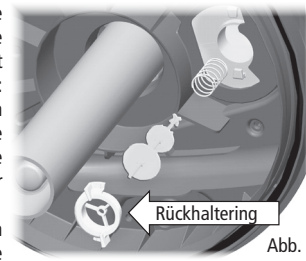


Abb. 4



Abb. 5

Benutzen Sie für die Reinigung NIEMALS Seife oder Reinigungsmittel. Jegliche zurückbleibenden Spuren können den Teich verschmutzen und dazu führen, dass das empfindliche Fischgewebe verletzt wird.

## WECHSEL DER UV-C-LAMPE UND REINIGUNG DER QUARZRÖHRE

**Wechsel der UV-C-Lampe:** Um die optimale Leistung beizubehalten, sollte die UV-C-Lampe (B) jedes Jahr erneuert werden. Die ideale Zeit dazu ist der Frühling, während der vorsaisonalen Teichwartung.

**Reinigung der Quarzröhre:** Obwohl nur gefiltertes Wasser durch den UV-C Teil des Pressure-Flo Filters fließt, kann sich Kalk auf der Quarzröhre (C) ablagern, was die Leistung der UV-C-Lampe (B) mindern könnte. Es ist empfehlenswert, die Quarzröhre (C) regelmäßig zu überprüfen und zu reinigen. Wie oft diese gereinigt werden muss, hängt von den Teichbedingungen ab. Um an die UV-C-Lampe (B) und die Quarzröhre (C) heranzukommen, gehen Sie wie folgt vor:

1. Schalten Sie die UV-C-Lampe ab, indem Sie den Stecker der Einheit vom Stromnetz trennen.
2. Stellen Sie die Pumpe ab, die den Pressure-Flo Filter versorgt.
3. Trennen Sie alle Schläuche von der Einheit, indem Sie alle „Klick & Fertig“ Schnappverbinder lösen (drücken Sie den Hebel und ziehen Sie).
4. Entfernen Sie den UV-C-Kopf (A) (Abb. 6) aus dem Filter, indem Sie die 4 Schrauben (J) lösen, mit denen der UV-C-Kopf an dem Filterdeckel (G) angeschraubt ist. Der UV-C-Kopf ist mit Sicherheitsschrauben ausgerüstet, damit die Schrauben nicht abfallen können. Sie müssen die Schrauben also nicht vollständig abdrehen. Drehen Sie sie so weit, bis der UV-C-Kopf locker ist.

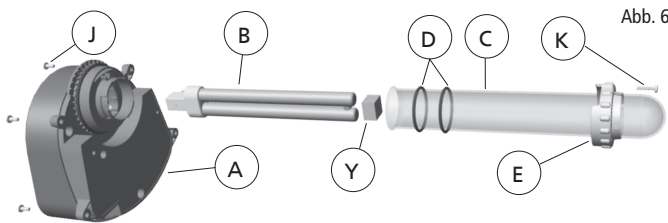


Abb. 6

- Nun können Sie, wenn nötig, die Quarzröhre (C) reinigen. **Für die Reinigung der Quarzröhre benutzen Sie einfach einen feuchten, weichen Lappen, um Kalk und Ablagerungen zu entfernen. Gegen hartnäckigen Schmutz können Sie auch ein wenig Essig benutzen. Benutzen Sie keinerlei Reinigungsmittel oder andere chemische Reiniger. Wenn es nicht nötig ist, die UV-C-Lampe zu wechseln, gehen Sie jetzt weiter zu Punkt 10.**
- Um an die UV-C-Lampe (B) heranzukommen, entfernen Sie die Quarzröhre (C), indem Sie zuerst die 2 Schrauben (K) des Rückhalterings (E), die ihn an dem UV-C Kopf befestigen, mit ungefähr 3 Umdrehungen lösen. Danach drehen Sie den Rückhaltering um ungefähr 30° gegen den Uhrzeigersinn, bis die Schraube in einer Linie mit dem Pfeil auf dem UV-C-Kopf ausgerichtet ist. Ziehen Sie dann, um ihn abzunehmen. **Wichtig:** Der Rückhaltering ist mit Sicherheitsschrauben ausgerüstet. Aus diesem Grund müssen Sie die Schrauben nicht vollständig abdrehen. Drehen Sie die Schrauben so weit, bis der Rückhaltering so locker sitzt, dass er gedreht und abgenommen werden kann.
- Ziehen Sie die Quarzröhre inklusive der O-Ringe heraus, indem Sie sie leicht drehen.
- Sobald die Quarzröhre entfernt ist, ziehen Sie die UV-C-Lampe (B) aus der Lampenfassung (wenn es sich nicht um die erste Inbetriebnahme handelt) und erneuern Sie sie. **WARNUNG: VERSUCHEN SIE NICHT DIE LAMPE ZU ÜBERPRÜFEN, WENN SIE ERLEUCHTET IST!** Bei direkter Einwirkung von ultraviolettem Licht können Augen und Haut verletzt werden. Überprüfen Sie die UV-C Lampe nicht, bevor der Filter nicht vollständig aufgebaut ist. **WICHTIG** – Benutzen Sie ausschließlich die originalen Laguna Ersatzteile. Auf der Ersatzteilliste können Sie die genauen Kennnummern der Ersatzteile erkennen.
- Setzen Sie die Quarzröhre (C) und die **zwei** O-Ringe (D) wieder an ihre ursprüngliche Position. Es ist empfehlenswert, die O-Ringe mit einem geeigneten Schmiermittel einzufetten. **WICHTIG:** Der Lampendämpfer (Y) im Inneren der Quarzröhre muss zwischen der Lampe und dem Boden der Quarzröhre sitzen. Entfernen Sie ihn nicht. **WICHTIG: Die beiden O-Ringe (D) der Quarzröhre (C) müssen jedes Mal erneuert werden, wenn die Einheit geöffnet wird.**
- Setzen Sie den Rückhaltering (E) an seine ursprüngliche Position. Richten Sie die Schraube zu dem Pfeil aus und drücken Sie den Rückhaltering in Richtung des UV-C-Kopfes. Drehen Sie den Rückhaltering dann um ungefähr 30 Grad im Uhrzeigersinn in die Richtung der Sicherheitsschraube (K) und ziehen Sie ihn mit den Sicherheitsschrauben fest. (Abb. 7 - Abb. 8 - Abb. 9).

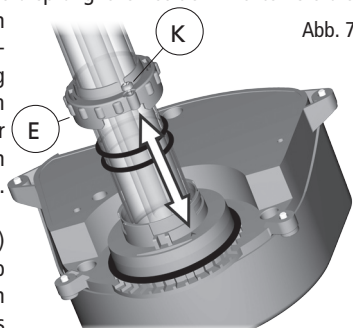


Abb. 7

- Überprüfen Sie, dass die Quarzröhre (C) nicht beschädigt ist. Überprüfen Sie, ob alle Teile vorhanden sind und ordentlich wieder zusammgebaut wurden. Falls Zweifel auftreten sollten, lassen Sie sich von Ihrem Laguna Händler beraten.
- Setzen Sie den UV-C-Kopf (A) wieder auf den Filterdeckel (G) und stellen Sie sicher, dass der innere O-Ring (F) richtig sitzt, bevor Sie den UV-C-Kopf mit den Schrauben (J) festziehen.
- Schrauben Sie den UV-C-Kopf (A) an den Filterdeckel, indem Sie die 4 Sicherheitsschrauben (J) wieder auf dem UV-C-Kopf (J) einsetzen. **WARNUNG – Stromschlag-Gefahr: Bevor Sie die Lampe an das Stromnetz anschließen, vergewissern Sie sich, dass ALLE O-Ringe richtig an Ihrer vorgesehenen Position sitzen, dass ALLE Schrauben fest angezogen sind und dass die Einheit nicht beschädigt wurde. Bevor Sie die Einheit an das Stromnetz anschließen, müssen Sie den Filter-Nässe-Test durchführen.**
- Der Filter kann nun in Betrieb genommen werden. Lesen und folgen Sie allen Hinweisen in **Inbetriebnahme und Betrieb des Filters und Rückspülung.**

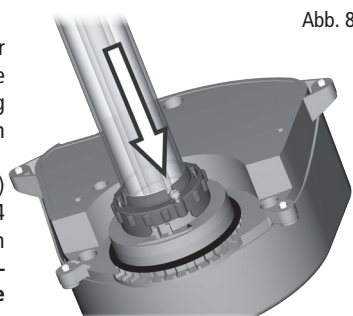


Abb. 8

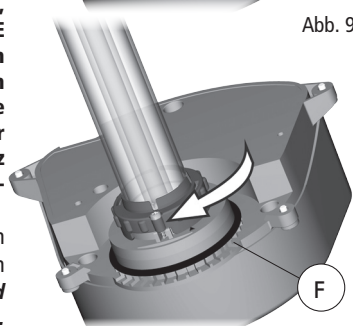


Abb. 9

## WINTER-LAGERUNG

Die Einheit muss vor Frost geschützt werden. Bei kaltem Winterwetter kann die Einheit

eventuell abgeschaltet werden. Das Wasser sollte dann aus dem Filter abgelassen werden und er sollte demontiert und an einem trockenen und wetterfesten Ort gelagert werden. Es ist empfehlenswert, den Deckel der Einheit während einer Lagerung offen zu lassen.

## Filter-Nässe-Test

Wenn die Einheit vollständig zusammengebaut wurde, muss sie auf Nässe getestet werden, bevor sie an das Stromnetz angeschlossen werden kann. Dieser Test muss immer dann wiederholt werden, wenn die Lampe und die Quarzröhre ausgetauscht oder auseinandergebaut werden.

- Installieren Sie den Filter gemäß der Anleitung und verbinden Sie ihn mit der Pumpe. Schließen Sie jedoch die Einheit NICHT an das Stromnetz an. Schalten Sie die Pumpe an und lassen Sie sie für 24 Stunden in Betrieb.
- Nach 24 Stunden schalten Sie die Pumpe ab und entfernen den UV-C-Kopf (A) vom Filter, indem Sie die 4 Schrauben (J) lösen. Mehr Teile brauchen Sie nicht zu entfernen.
- Untersuchen Sie im Inneren der Quarzröhre (C), ob diese dicht ist. Wenn Sie Wasser im Inneren der Quarzröhre oder um die Lampe herum finden, schließen Sie die Einheit NICHT an das Stromnetz an, sondern bringen Sie sie zur Überprüfung zu einem autorisierten Laguna Händler oder zu einer Kundendienststelle.

Wenn jedoch im Inneren der Quarzröhre (C) kein Wasser zu erkennen ist, bauen Sie die Einheit vorsichtig wieder zusammen und benutzen Sie sie normal gemäß dieser Einbau- und Wartungsanleitung.

UVC-Ersatzteile - 230-240V 50Hz					
		PT1715 PF 3000L	PT1716 PF 6000L	PT1717 PF 10000L	PT1718 PF 14000L
UV-C-Lampe + 2x O-Ringe	B	PT1601	PT1601	PT1602	PT1603
Quarzröhre + 2x O-Ringe	C D	PT1605	PT1605	PT1606	PT1607

UVC-Ersatzteile - 120V 60Hz					
		PT1725 PF 1000 US GAL	PT1726 PF 2000 US GAL	PT1727 PF 3000 US GAL	PT1728 PF 4000 US GAL
UV-C-Lampe + 2x O-Ringe	B	PT1701	PT1701	PT1603	PT1703
Quarzröhre + 2x O-Ringe	C D	PT1704	PT1704	PT1607	PT1706

Universal-Ersatzteile (siehe Produktabbildungen)					
		Pressure Flo 1000/3000	Pressure Flo 2000/6000	Pressure Flo 3000/10000	Pressure Flo 4000/14000
Quarzröhren-O-Ringe (2x)	D	PT1707	PT1707	PT1708	PT1708
Quarzröhren-Rückhaltering	E	PT1711	PT1711	PT1712	PT1712
O-Ring für den UV-C-Kopf	F	PT1530	PT1530	PT1530	PT1530
Universal-Schnappverbinder	H	PT640	PT640	PT640	PT640
Dichtungskappe	I	PT1543	PT1543	PT1543	PT1543
Reinigungsarme (2 Stück)	L	PT1513	PT1513	PT1514	PT1514
Schaumstofffilter	M	PT1735	PT1736	PT1737	PT1738
O-Ring für den Filterdeckel	P	PT1535	PT1535	PT1536	PT1536
Gummi-O-Ringe	aa	PT743	PT743	PT743	PT743

\* siehe Produktabbildungen

## GARANTIE

**Wenn Sie sich zu Garantiezwecken on-line registrieren möchten oder wenn Sie weitere Informationen zu diesem oder einem anderen Produkt wünschen, gehen Sie auf [www.hagen.com](http://www.hagen.com)** Wir garantieren Ihnen, dass dieses Produkt für die Dauer von drei (3) Jahren ab dem Zeitpunkt des Erwerbs frei von Material- bzw. Verarbeitungsfehlern ist. Diese Garantie gilt nur unter den normalen, für das Produkt zgedachten Betriebsbedingungen. Diese Garantie erstreckt sich nicht auf Geräte, die unsachgemäßer oder fahrlässiger Verwendung oder Manipulationen ausgesetzt oder durch Unfall oder fehlerhafte Verpackung oder unsachgemäße Handhabung während des Transports beschädigt wurden. Diese Gewährleistung deckt nicht die normale Abnutzung der Teile und bezieht sich nicht auf Einheiten, die kommerziell genutzt wurden. Die UV-C-Lampe ist von der Garantie ausgeschlossen. Eine Haftung für Verluste oder Schäden an Tierbestand oder persönlichem Eigentum ist unabhängig von ihrer Ursache ausgeschlossen. Diese Gewährleistung beeinträchtigt nicht Ihre gesetzlichen Rechte. Diese Gewährleistung deckt keine Beschädigungen, die während des Transportes entstanden sind oder bei Reparaturen oder Veränderungen am Produkt oder Produktteilen, die von einer Person durchgeführt wurden, welche nicht von der Rolf C. Hagen Inc. dazu berechtigt ist.

## RECYCLING

Dieser Artikel steht für die getrennte Entsorgung von elektrischen und elektronischen Artikeln (WEEE). Das bedeutet, dass dieses Produkt gemäß der europäischen Richtlinie 2002/96/EC recycelt oder demontiert werden muss, um Umweltschäden zu minimieren. Wenden Sie sich für weitere Informationen an die zuständigen Behörden. Elektronische Produkte, die nicht der Abfalltrennung unterzogen werden, sind potenziell gefährlich für die Umwelt und für die menschliche Gesundheit, da sie gefährliche Substanzen enthalten können.







## FILTRO PARA ESTANQUES CON UNIDAD UVC INTEGRADA

**Para uso en agua dulce solamente.** Lea detenidamente estas instrucciones antes de la instalación y el uso.

### INSTRUCCIONES DE SEGURIDAD IMPORTANTES

**ADVERTENCIA: Para evitar lesiones, debe tener en cuenta las precauciones de seguridad básicas, incluidas las que se detallan a continuación:**

1. LEA Y CUMPLA CON TODAS LAS INSTRUCCIONES DE SEGURIDAD y todas las advertencias importantes sobre el uso y mantenimiento de este aparato. El caso omiso a estas instrucciones puede ocasionar daños personales o al aparato.
  - PELIGRO: Para evitar una posible descarga eléctrica, se debe tener especial cuidado, ya que el equipo del estanque está en contacto con el agua. En las situaciones que se describen a continuación, no intente hacer una reparación usted mismo; lleve el aparato a la tienda en la que fue adquirido si todavía está en garantía.
  - Este es un producto resistente a la intemperie, pero NO es sumergible. ¡No sumerja el producto en el agua! Si el aparato cae al agua, NO intente agarrarlo. Primero desenchúfelo y luego retírelo.
2. Antes de instalar el aparato, verifique que el manguito de cuarzo (C) y la lámpara UVC (B) no se hayan dañado durante el transporte, ya que ambos están hechos de vidrio. Manipule ambas piezas con cuidado. No manipule la lámpara UV con las manos descubiertas, ya que dificultará el rendimiento.
  - Si el aparato presenta indicios de una pérdida irregular de agua o si el dispositivo de corriente residual (o interruptor accionado por corriente de pérdida a tierra) se apaga, desconecte el cable de la fuente de alimentación del suministro eléctrico (fuente de alimentación principal).
  - Examine cuidadosamente el aparato luego de la instalación. No se debe enchufar si hay agua en las piezas que no están diseñadas para estar mojadas. Si los componentes eléctricos del aparato se mojan, desenchúfelo inmediatamente.
  - No utilice ningún aparato que tenga un cable o un enchufe dañados, que no funcione correctamente o que se haya caído o dañado de alguna manera. El cable de alimentación de este aparato es un cable especial, por lo que, si se daña, debe ser reemplazado en un centro de servicio de Laguna autorizado o por una persona calificada para evitar cualquier peligro. Nunca corte el cable.
3. ADVERTENCIA: Este aparato contiene un emisor de rayos UVC. La exposición directa a los rayos UVC puede dañar los ojos y la piel. No ponga en funcionamiento el emisor de rayos UVC cuando lo quite de la carcasa del aparato.
4. ADVERTENCIA: Este aparato puede ser usado por niños de 8 años en adelante y por personas con capacidades físicas, sensoriales o mentales reducidas, o sin experiencia ni conocimiento, si son supervisados o han recibido instrucciones sobre el uso del aparato de manera segura y comprenden los peligros implicados. Los niños no deben jugar con el aparato. La limpieza y el mantenimiento del usuario no deben realizarse por niños sin supervisión.
5. Para evitar lesiones, no toque las piezas móviles ni las calientes.
6. PRECAUCIÓN: Siempre desenchufe o desconecte de la fuente de alimentación eléctrica todos los aparatos que están dentro del estanque antes de colocar las manos en el agua o antes de agregar o quitar piezas, o mientras instala, manipula o realiza el mantenimiento del equipo. Nunca tire con fuerza del cable para quitar el enchufe del tomacorriente. Tome el enchufe y tire para desconectarlo. Siempre desenchufe el aparato cuando no lo utilice.
7. Este es un filtro completo con un esterilizador UV integrado para estanques de jardín de agua dulce, para uso en exteriores. No use este aparato para una función para la que no fue destinado. Si el aparato se usa para una función para la que no fue diseñado o si su cubierta se daña, puede ocasionar un escape de radiación de UVC peligrosa. La radiación de UVC puede, incluso en dosis pequeñas, ocasionar daños a los ojos y a la piel.
  - No use este producto en piscinas u otros lugares donde se sumerja gente.
  - Este producto es apto para uso en agua con una temperatura entre 4 °C y 35 °C.

- No use este producto con líquidos inflamables o potables.
  - El uso de accesorios no recomendados o no vendidos por el fabricante del aparato puede crear condiciones de uso peligrosas e invalidará la garantía.
8. No instale ni guarde el aparato en lugares en los que esté expuesto a temperaturas cercanas a 0 °C (32 °F) o inferiores. En condiciones bajo cero, desconecte el cable de la fuente de alimentación al filtro y vacíe el agua de la caja del filtro. En invierno, retire el aparato y guárdelo en un lugar protegido.
  9. Proteja el aparato de la exposición directa al sol. Los materiales poseen alta estabilidad a la luz solar, pero la exposición directa podría sobrecalentar el motor y acelerar el envejecimiento del aislante.
    - Para evitar el recalentamiento, no coloque objetos sobre el filtro.
    - Este producto no debe instalarse en lugares donde pueda caer al agua. No lo instale en un área que pueda inundarse o donde pueda acumularse agua. Debe colocarse al menos a 1 m/3,2 pies del borde del estanque de jardín, en un lugar seco y protegido, con suficiente ventilación alrededor. Procure que haya suficiente espacio alrededor del aparato para hacer el servicio de mantenimiento.
  10. IMPORTANTE: La máxima presión de funcionamiento es de 0,04 MPa (0,4 bar o 5,8 PSI). No conecte el filtro mecánico al suministro de agua principal.
  11. No intente abrir la abrazadera de la tapa (O) ni levantar la tapa cuando el aparato y los filtros están en funcionamiento. El sujetador de la abrazadera de la tapa tiene un fiador para evitar una apertura accidental.
  12. Si necesita una extensión, cerciórese de que la conexión sea hermética y a prueba de polvo. Se deberá usar un cable con calibre apropiado. Un cable para un amperaje o vataje inferior al del aparato puede sobrecalentarse. Se debe tener cuidado al colocar el cable para garantizar que nadie se tropiece con él ni lo desenchufe. Un electricista calificado deberá realizar la conexión.
  13. IMPORTANTE: La conexión eléctrica debe realizarse de acuerdo con los datos de la etiqueta de clasificación eléctrica. El aparato puede utilizarse únicamente luego de haberlo instalado correctamente. La seguridad eléctrica puede garantizarse únicamente cuando el aparato se conecta a un dispositivo de corriente residual (RCD) o un interruptor accionado por corriente de pérdida a tierra (GFCI) con una corriente de funcionamiento residual que no exceda los 30 mA.
  14. ADVERTENCIA: No conecte el filtro si no está completa y correctamente instalado. Nunca use el producto sin agua. El filtro debe estar siempre lleno de agua cuando está en funcionamiento.
  15. ADVERTENCIA: Riesgo de descarga eléctrica. Este aparato está equipado con un cable a tierra de 3 conductores (enchufe de 3 clavijas). Este enchufe encaja únicamente en un tomacorriente de 3 clavijas. Esta es una función de seguridad. Si el enchufe no encaja en el tomacorriente, comuníquese con un electricista para que reemplace este último. No intente anular la función de seguridad de la clavija con conexión a tierra, que forma parte del enchufe de tres clavijas. Asegúrese de que esté conectado únicamente a un receptáculo equipado con un EDC o GFCI con conexión a tierra a 30 mA.

ADVERTENCIA: No entierre el cable. Colóquelo en un lugar seguro a fin de reducir el riesgo de daños por cortadoras de césped, recortadores de setos u otro equipo. Las instalaciones permanentes a la fuente de alimentación principal (cableado) deben cumplir con las normativas de la autoridad local, que pueden estipular el uso de un conductor plástico o metálico para proteger el cable.

## CONSERVE ESTAS INSTRUCCIONES PARA REFERENCIA FUTURA

### CONTENIDO

Antes de comenzar, verifique que la caja contenga los siguientes artículos:

- Filtro Pressure-Flo
- Lámpara UVC, instalada
- 3 filtros de espuma (PF 1000/PF 3000), 4 filtros de espuma (PF 2000/PF 6000 y PF 3000/PF 10000), 5 filtros de espuma (PF 4000/PF 14000)
- Medios filtrantes biológicos (excepto Pressure-Flo 1000/3000 UVC)
- 1 junta tórica para sellar la tapa (P), suministrada en una bolsa de polietileno aparte
- 3 acoplamientos tipo "click-fit" (H) para mangueras con un diámetro de 19, 25 y

Especificaciones del filtro		Pressure Flo 1000/3000	Pressure Flo 2000/6000	Pressure Flo 3000/10000	Pressure Flo 4000/14000
Tamaño del equipo (diámetro x altura)		ø28,5 cm – 35 cm alt. ø11,2 pulg.- 13,7 pulg. alt.	ø28,5 cm – 51 cm alt. ø11,2 pulg.- 20 pulg. alt.	ø36,5 cm – 52,5 cm alt. ø14,3 pulg.- 20,6 pulg. alt.	ø36,5 cm – 64 cm alt. ø14,3 pulg.- 25,2 pulg. alt.
Altura del cartucho		23 cm (9 pulg.)	38,5 cm (15,2 pulg.)	40 cm (15,7 pulg.)	50 cm (19,7 pulg.)
Volumen del cartucho		10 l (2,6 gal. EUA)	17,5 l (4,6 gal. EUA)	31 l (8,2 gal. EUA)	40 l (10,6 gal. EUA)
Cantidad de espuma		3	4	4	5
Rocas de lava/Rocas biológicas		-	1600 g	3200 g	4800 g
Tamaño de las conexiones de las mangueras		19, 25, 32 mm (¾, 1, 1 ¼ pulg.); hembra 32 mm (1 ¼ pulg.)			
Lámpara UVC	120 V - 60 Hz		13 W	24 W	36 W
	230-240 V - 50 Hz		11 W	18 W	24 W
Bomba Max-Flo de Laguna recomendada <sup>1</sup>		PT8232	PT8236	PT8244	PT8248
Longitud total de la manguera recomendada <sup>2</sup>		4 m (13 pies)		6 m (19 pies)	8 m (26 pies)
Diámetro mín. de la manguera para lograr los rendimientos mencionados		32 mm (1 ¼ pies)			
Caída de agua máx. recomendada para lograr los rendimientos mencionados		60 cm (24 pulg.)		100 cm (39 pulg.)	

El mantenimiento del filtro será más frecuente durante los calurosos meses de verano.

<sup>1</sup> Si la aplicación incluye una caída de agua más alta que el máximo indicado, elija una bomba más grande.

<sup>2</sup> Longitud total desde orificio de salida hasta el de entrada. Para referencia únicamente. El caudal definitivo depende de diversos factores, como la longitud y el diámetro de la manguera, las torceduras o codos de la manguera, y la altura de las caídas de agua.

- 32 mm (3/4 pulg., 1 pulg. y 1 1/4 pulg.)
- 1 tapón hermético "click-fit" (I)
- Manual de instrucciones
- Fiador (Z)
- 3 juntas tóricas de goma (aa)

## USO PREVISTO

El filtro Pressure-Flo es un filtro sellado a presión con un esterilizador UVC, diseñado para proporcionar filtración mecánica y biológica a estanques de jardín decorativos de agua dulce para uso en exteriores, con una temperatura de +4 °C a 35 °C (+39,2 °F a 95 °F), con o sin peces. El objetivo de la filtración mecánica consiste en retener y acumular materiales de desecho que provienen del estanque. El de la filtración biológica consiste en convertir los subproductos tóxicos del metabolismo de los peces y otros desechos orgánicos en sustancias mucho menos nocivas. El objetivo de la filtración con UVC consiste en inhibir el desarrollo de algas unicelulares.

## CÓMO FUNCIONAN LOS FILTROS PRESSURE-FLO

Los filtros Pressure-Flo están diseñados para proporcionar tres importantes operaciones de filtración del agua que son cruciales para mantener el agua del estanque limpia y saludable: la filtración mecánica y biológica, y la esterilización UVC. Los filtros se diseñaron de modo que funcionen junto con una bomba para tratamiento de residuos sólidos. Para obtener mejores resultados, use una bomba de circulación Max-Flo de Laguna. Cuando el filtro está conectado al orificio de salida de una bomba, el agua ingresa en el aparato mediante el orificio de entrada del agua (X). Luego, se la fuerza a pasar por la etapa de filtración mecánica, que consta de filtros de espuma que interceptan y retienen suciedad y desechos. Luego, el agua llega a la cámara de filtración biológica\* cuando entra en contacto con las bacterias beneficiosas. Por último, el agua libre de basura circula por la lámpara UVC (B), donde queda expuesta a los rayos UV que inhiben el desarrollo de algas. El agua luego vuelve al estanque mediante el orificio de salida (W).

\*El filtro Pressure-Flo 1000/3000 UVC no incluye filtración biológica.

## SISTEMA DE LIMPIEZA DE RETROLAVADO

Durante el funcionamiento, los desechos gruesos quedan retenidos en la superficie de los filtros de espuma. Como consecuencia, con el transcurso del tiempo, la superficie externa de los filtros de espuma se obstruirá y dificultará la filtración adecuada debido al caudal reducido. El flujo de agua limitado a través de los filtros de espuma reduce la eficacia tanto de la filtración biológica como de la filtración UVC. Este estado se puede detectar fácilmente gracias al indicador de limpieza (U). Los filtros Pressure-Flo incluyen un exclusivo sistema de limpieza de retrolavado que limpia por completo la toda la superficie de los filtros de espuma mecánicos. La función de limpieza completa se puede efectuar cómoda y fácilmente en pocos minutos, sin necesidad de abrir el aparato. La limpieza garantizará que el filtro funcione a niveles óptimos. Si bien el sistema de limpieza de retrolavado prolonga el tiempo entre las sesiones de mantenimiento, es necesario hacer una limpieza minuciosa del aparato en forma periódica. Para obtener más detalles, consulte Limpieza y mantenimiento del filtro Pressure-Flo.

## INDICADOR DE LIMPIEZA

Este aparato incluye un indicador de limpieza (U) que le permite saber cuándo el filtro necesita un retrolavado o una limpieza. La altura del indicador rojo de limpieza es aproximadamente proporcional al nivel de obstrucción del filtro. Si el indicador rojo está bajo, el filtro está limpio. Si el indicador rojo está completamente expuesto, el filtro necesita una limpieza. El indicador de limpieza puede verse afectado por diversas variables, como la altura de la caída del agua y el desempeño de la bomba. Sus características de funcionamiento han sido calibradas de acuerdo con las condiciones de uso específicas señaladas en la tabla (Cómo seleccionar el filtro Pressure-Flo y la bomba Max-Flo adecuados para su estanque). Diferentes condiciones de uso pueden acarrear diferentes resultados.

## CÓMO SELECCIONAR EL FILTRO PRESSURE-FLO Y LA BOMBA MAX-FLO ADECUADOS PARA SU ESTANQUE

Use la tabla de la página 2 para seleccionar la combinación adecuada de bomba Max-Flo y filtro Pressure-Flo, de acuerdo con el tamaño y las condiciones del estanque. Debido a la gran cantidad de variables, las siguientes recomendaciones se ofrecen como orientación general únicamente.

## INSTALACIÓN

### Ubicación del filtro

Elija una ubicación adecuada para el filtro Pressure-Flo, teniendo en cuenta las siguientes recomendaciones:

- Coloque el filtro Pressure-Flo sobre una base firme y nivelada, donde esté protegido de las inundaciones y tenga suficiente ventilación. Proteja el aparato de la exposición directa al sol.
- Colóquelo sobre el nivel del suelo o entiérrelo con la abrazadera de la tapa (O) al menos 5 cm/2 pulg. sobre el nivel del suelo.
- Para evitar el recalentamiento, no cubra el filtro.
- Coloque el filtro a al menos 1 m/3,2 pies de distancia del borde del estanque y procure que no caiga al agua de ninguna manera.
- Asegúrese de que tenga acceso completo a la tapa del aparato para hacer el mantenimiento.
- No haga funcionar el filtro si la presión del agua supera los 0,4 bar o las 5,8 PSI de presión. Nunca conecte el filtro a obras hidráulicas públicas.
- Oriente el filtro de modo que el orificio de entrada del agua (X), el orificio de salida del agua (W) y el orificio de drenaje (T) apunten a la dirección deseada, a fin de evitar que la manguera se doble demasiado.

## Conexiones de las mangueras

El filtro Pressure-Flo requiere la conexión de 3 mangueras (no incluidas): una para el orificio de entrada del aparato (desde la bomba del estanque), otra para el orificio de salida que

transporta el agua filtrada al estanque, y una última para descargar el agua sucia del filtro a un lugar fuera del estanque durante el mantenimiento. Cuando seleccione e instale las mangueras para su aplicación, elija el diámetro más grande y la manguera más corta posibles y evite las torceduras y los codos puntiagudos, a fin de maximizar el caudal potencial. Los filtros Pressure-Flo incluyen 3 acoplamientos universales "click-fit" (H), que facilitarán y acelerarán la conexión y desconexión de las mangueras. Conecte mangueras flexibles a los acopladores "click-fit" y fjelas con una abrazadera para mangueras adecuada (no incluida). **IMPORTANTE: Los acoplamientos universales "click-fit" (H) permiten la conexión de mangueras flexibles de diámetros diferentes, pero es importante recortar los racores para mangueras de diámetro menor que no use, a fin de evitar restricciones en el caudal.**

Cuando las mangueras flexibles están debidamente conectadas a los acoplamientos "click-fit", puede desconectar las mangueras del aparato con solo presionar el botón del acoplamiento "click-fit" y jalar. Para conectar los acoplamientos "click-fit" al aparato, introdúzcalos en los conectores macho de la tapa del aparato y asegúrese de que el botón del acoplamiento sobresalga por completo.

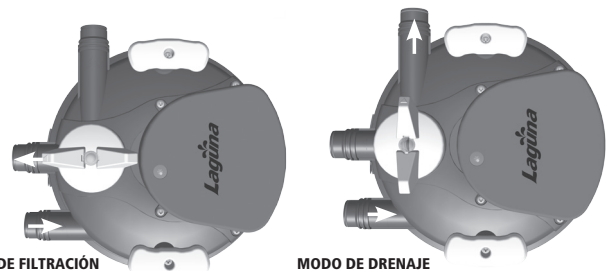
**Orificio de entrada del agua (X):** este es el punto donde el agua del estanque ingresa al filtro Pressure-Flo. Simplemente, conecte el orificio de salida de una bomba para tratamiento de residuos sólidos Max-Flo de Laguna al orificio de entrada (X) del filtro Pressure-Flo con una manguera que no se enrosque. La bomba suministra agua sucia proveniente del estanque al filtro Pressure-Flo.

**Orificio de salida del agua (W):** este hace que el agua filtrada vuelva al estanque cuando el filtro funciona en el modo de filtración. La manguera que está conectada al orificio de salida del agua (W) se puede colocar directamente en el estanque, o usarse para crear un curso o una caída de agua. Este orificio de salida se activa cuando el selector de modo (V) apunta hacia el orificio de salida del agua (W) (modo de filtración). El extremo de la manguera de salida se debe colocar tan lejos del orificio de entrada de la bomba como sea posible para maximizar la circulación del agua en el estanque.

**Orificio de drenaje (T):** es aquel por donde el agua sucia sale del filtro cuando se usa el sistema de limpieza de retrolavado. Conecte una manguera al orificio de drenaje para drenar el agua sucia desde el filtro y hacia su jardín (consulte la sugerencia a continuación). Este orificio de salida se activa cuando el selector de modo (V) apunta al orificio de drenaje (T) (modo de drenaje).

**IMPORTANTE: Durante el funcionamiento normal del "modo de filtración", cierre el orificio de drenaje (T) con el tapón hermético "click-fit" (I).**

**Sugerencia: El agua de estanque sucia es rica en nutrientes y libre de cloro, por lo que resulta particularmente buena para regar el jardín.**



## PUESTA EN MARCHA DEL FILTRO, FUNCIONAMIENTO Y LIMPIEZA DE RETROLAVADA

**¡IMPORTANTE! Antes de la primera y en cada puesta en marcha luego de una limpieza, compruebe lo siguiente:**

- Antes de la primera puesta en marcha, es necesario instalar la junta tórica de la tapa del filtro (P), suministrada en una bolsa de polietileno aparte. La junta tórica debe introducirse correctamente en su base en la parte superior del cartucho filtrante (fig. 1).
- Este filtro incluye la lámpara UVC ya instalada. Antes de conectar el filtro a la fuente de alimentación, es necesario realizar el test de humedad del filtro. Consulte la sección "Reemplazo de la lámpara UVC y limpieza del manguito de cuarzo" para obtener instrucciones detalladas.
- Los medios filtrantes biológicos se deben colocar en la caja del filtro, según se indica en la imagen (excepto Pressure-Flo 1000/3000 UVC) (fig. 2). Procure que la tapa del filtro (G) esté debidamente

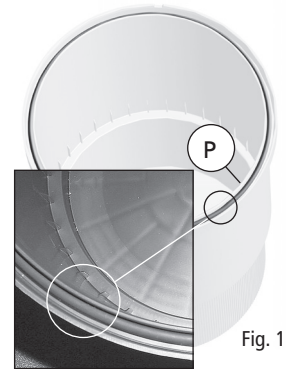


Fig. 1

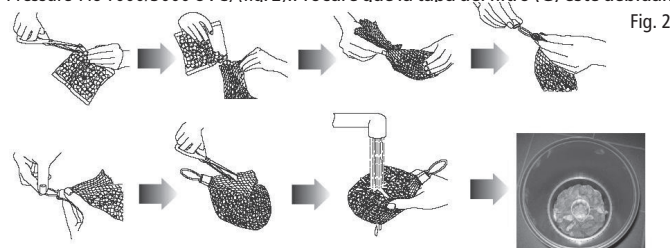


Fig. 2

cerrada con la abrazadera de la tapa (O) y que la junta tórica (P) esté correctamente apoyada en su base. **IMPORTANTE:** Antes de colocar la abrazadera de la tapa (O), se debe presionar la tapa (G) hasta eliminar el espacio entre la tapa y la caja del filtro. La abrazadera de la tapa se debe trabar, con el fiador de metal (Z) introducido correctamente dentro de la ranura de retención. (fig. 3). **ADVERTENCIA:** Tenga

cuidado de que los dedos o el cable principal no queden atrapados cuando trabe la abrazadera de la tapa. Si es necesario, se puede introducir un candado (no incluido) en el orificio inferior del fiador (Z) para trabarlo.



Fig. 3

- El selector de modo (V) se debe colocar en la posición "modo de filtración" con el interruptor apuntando hacia el orificio de salida del agua (W). **El selector de modo (V) se debe girar por completo 90°; no lo configure en ninguna posición intermedia.**
- Procure que todas las mangueras estén debidamente conectadas al aparato y colocadas en su posición definitiva. Asegúrese de que la sección macho de todos los acoplamientos "click-fit" incluyan la junta tórica de goma (aa).

**Durante el funcionamiento normal del "modo de filtración", cierre el orificio de drenaje (T) con el tapón hermético "click-fit" (I).**

**Siempre procure que el tapón hermético "click-fit" esté debidamente trabado en su lugar (empuje el botón completamente hacia arriba).**

**PRECAUCIÓN: No ponga en funcionamiento la lámpara UVC (B) si el agua no circula por el aparato.**

**Después de hacer las comprobaciones mencionadas, siga estos pasos:**

1. Encienda la bomba y haga funcionar el filtro durante varios minutos para comprobar que no haya fugas de agua.
2. Si todo está bien y el agua circula normalmente por el aparato, enchufe la lámpara UVC del filtro Pressure-Flo en la fuente de alimentación. El indicador de la lámpara UV (R) muestra un destello azul cuando la función UVC está en funcionamiento. Esta luz se observa mejor después del anochecer.

Permita que el filtro funcione durante las 24 horas del día e, idealmente, durante todo el año, siempre que el agua no presente escarcha y fluya libremente por el aparato.

### SISTEMA DE LIMPIEZA DE RETROLAVADO

Cuando la superficie de espuma se obstruye, el sistema de limpieza de retrolavado reanuda rápida y eficazmente el funcionamiento normal del filtro sin necesidad de abrir el aparato. La limpieza se debe hacer al menos una vez por semana o siempre que el indicador de limpieza (U) detecte que el filtro está obstruido o sucio, o cuando salga agua turbia del filtro. Si el estanque está muy sucio durante las primeras semanas de uso del aparato, es posible que el filtro necesite limpiezas más frecuentes. Siga estos pasos:

1. Desconecte la alimentación de la bomba del estanque.
2. Extraiga el tapón hermético "click-fit" del orificio de drenaje (T). **PRECAUCIÓN:** Saldrá un pequeño flujo de agua.
3. Conecte una manguera de drenaje al orificio de drenaje (T) y asegúrese de que expulsará el agua sucia en el lugar que desee.
4. Gire el selector de modo (V) hasta la posición de modo de drenaje (apunte el selector completamente hacia el orificio de drenaje [T]). Es posible que una pequeña cantidad de agua siga saliendo del orificio de salida del agua (W). Esto es normal. Para evitarlo, quite el acoplamiento universal "click-fit" del orificio de salida de agua y conecte el tapón hermético "click-fit".
5. Conecte la alimentación de la bomba del estanque.
6. Deslice ambas manijas de limpieza (S) hacia arriba y abajo. Este deslizamiento hacia arriba y abajo hace que las hojas de limpieza raspen la superficie de los filtros de espuma y extraigan los desechos que se mantendrán suspendidos en la cámara externa del filtro, donde el agua cargada con los desechos suspendidos es forzada hacia afuera del filtro mediante el orificio de drenaje (T). Continúe durante varios minutos hasta que vea agua limpia saliendo de la manguera de drenaje.
7. **PRECAUCIÓN:** El sistema de limpieza emplea el agua del estanque. Esto debe tenerse en cuenta al momento de usar la función de limpieza. Al finalizar la limpieza, vuelva a llenar el estanque hasta el nivel de agua deseado.
8. Desconecte la alimentación de la bomba del estanque.
9. Gire el selector de modo (V) hasta la posición de modo de filtración (apunte el selector completamente hacia el orificio de salida del agua [W]). El filtro está ahora en el modo de filtración normal. Es bastante normal que un flujo de agua verde salga durante unos segundos.
10. Selle el orificio de drenaje (T) con el tapón hermético "click-fit" (I). Asegúrese de que esté debidamente trabado en su lugar (empuje el botón completamente hacia arriba). Si, al cabo de esta operación, el filtro permanece obstruido, examine el indicador de limpieza para verificar que esté limpio y no presente obstáculos (consulte el punto 11 en Limpieza de la espuma y los medios filtrantes biológicos para obtener instrucciones detalladas). Si el indicador de limpieza sigue mostrando obstrucciones, haga una limpieza de la espuma y los medios biológicos, como se explica a continuación.
11. Conecte la alimentación de la bomba del estanque.

Si, al cabo de esta operación, el filtro sigue obstruido, haga la limpieza de la espuma y los medios filtrantes biológicos que se detalla a continuación.

### LIMPIEZA Y MANTENIMIENTO DEL FILTRO PRESSURE-FLO:

#### ADVERTENCIAS:

- No intente abrir la abrazadera de la tapa (O) y levantar la tapa cuando la bomba y el filtro están en funcionamiento. El sujetador de la abrazadera de la tapa tiene un fiador para evitar una apertura accidental.
- **NO INTENTE MIRAR HACIA LA LÁMPARA CUANDO ESTÁ ENCENDIDA.** La exposición directa a la luz ultravioleta puede dañar los ojos y la piel.
- La lámpara UVC (B) y el manguito de cuarzo (C) están hechos de vidrio. Manipule todas las piezas con cuidado.

- Asegúrese de que todas las piezas eléctricas internas del aparato estén secas antes, durante y después del servicio de mantenimiento.
- El selector de modo (V) simplemente desvía el agua, pero no la detiene.

### LIMPIEZA DE LA ESPUMA Y LOS MEDIOS FILTRANTES BIOLÓGICOS

Al comienzo de cada temporada o cuando el sistema de limpieza de retrolavado no genera los resultados esperados, será necesario el lavado minucioso o el reemplazo de los filtros de espuma (M). Durante los calurosos meses de verano, es necesaria una limpieza más frecuente. Durante esta operación, los medios filtrantes biológicos también se pueden limpiar o reemplazar (excepto el filtro Pressure-Flo 1000/3000 UVC).

1. Para apagar la lámpara UVC (B), desconecte el enchufe del aparato de la fuente de alimentación principal.
2. Apague la bomba que alimenta al filtro Pressure-Flo.
3. Para desconectar todas las mangueras del aparato, libere los acoplamientos "click-fit" (presione el botón y jale).
4. Levante lentamente las manijas de limpieza (S) hasta su máxima extensión por encima del filtro.
5. Extraiga el fiador de la abrazadera de la tapa metálica (O) y destrábela.
6. Para quitar la tapa (G), tome las manijas de limpieza o apalanque cuidadosamente las ranuras laterales con un destornillador de cabeza plana adecuado. **PRECAUCIÓN:** No fuerce las varillas de guía hacia los costados, ya que podría dañar el aparato.

**PRECAUCIÓN:** La tapa conecta la unidad UVC con la lámpara y el manguito de cuarzo, que están hechos de vidrio. **MANIPULE TODAS LAS PIEZAS CON CUIDADO.**

7. Podrá acceder, entonces, a los filtros de espuma (M). Para extraerlos todos juntos, tome y levante la placa de soporte de la espuma filtrante interna (N).
8. Libere los filtros de espuma (M) de la placa de soporte de la espuma (N) y enjuáguelos con agua del estanque o reemplácelos, según sea necesario.
9. Enjuague los medios filtrantes biológicos que se encuentran en la sección inferior de la caja del filtro (Q) con agua del estanque o reemplácelos, según sea necesario. El filtro Pressure-Flo 1000/3000 UVC no incluye una cámara para medios filtrantes biológicos.
10. Limpie la caja del filtro (Q) con agua, especialmente alrededor del borde superior donde se apoya la junta tórica para sellar la tapa (P).
11. Si es necesario, limpie el indicador de limpieza (U) luego de desmantelarlo de la siguiente manera: (el selector de modo (V) debe colocarse en la posición "modo de filtración"): 1) para extraer el aro de brida, gírelo hacia la izquierda; 2) extraiga el indicador y su resorte. Enjuague todas las piezas y vuelva a ensamblarlas con cuidado (fig. 4 - fig. 5).

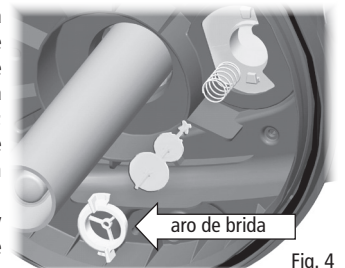


Fig. 4

12. Examine y limpie las dos hojas de limpieza (L) y las varillas de guía. Si es necesario, reemplace las hojas con otras nuevas. Cada hoja se puede separar fácilmente de la varilla de guía al desenroscar el tornillo del medio.



Fig. 5

13. Coloque la espuma y los medios filtrantes biológicos nuevamente en sus posiciones originales. Procure que los filtros de espuma estén debidamente apilados sin espacios entre ellos.
14. Vuelva a ensamblar el aparato con cuidado. Procure que los medios filtrantes biológicos no interfieran con el marco de soporte de la espuma (N) y que el marco esté recondicionado.
15. El filtro ahora está listo para su puesta en marcha. Lea y siga todas las instrucciones en Puesta en marcha del filtro, funcionamiento y limpieza de retrolavado. **NUNCA** use jabón ni detergentes para limpiar. Cualquier residuo que dejen podría contaminar el estanque y dañar los sensibles tejidos de los peces.

### REEMPLAZO DE LA LÁMPARA UVC Y LIMPIEZA DEL MANGUITO DE CUARZO

**Reemplazo de la lámpara UVC:** Para mantener el rendimiento óptimo de la lámpara UVC (B), debe reemplazarla todos los años. El momento ideal para hacerlo es la primavera, durante el mantenimiento previo a la temporada de uso del estanque.

**Limpieza del manguito de cuarzo:** Si bien solo agua filtrada pasa por la sección UVC del filtro Pressure-Flo, el manguito de cuarzo (C) puede quedar recubierto con sarro calcáreo, lo que disminuirá el desempeño de la lámpara UVC (B). Se recomienda examinar y limpiar el manguito de cuarzo (C) con asiduidad. La frecuencia de la limpieza depende de las condiciones del estanque. Para tener acceso a la lámpara UVC (B) y al manguito de cuarzo (C), siga estos pasos:

1. Para apagar la lámpara UVC, desconecte el enchufe del aparato de la fuente de alimentación principal.
2. Apague la bomba que alimenta al filtro Pressure-Flo.
3. Para desconectar todas las mangueras del aparato, libere los acoplamientos "click-fit" (presione el botón y jale).
4. Para extraer la tapa superior UVC (A) (fig. 6) del filtro, desenrosque los 4 tornillos (J) que la sujetan a la tapa del filtro (G). La tapa superior UVC incluye tornillos antipérdida. No es necesario que extraiga los tornillos por completo. Simplemente, desenróquelos hasta desacoplar la tapa superior UVC.

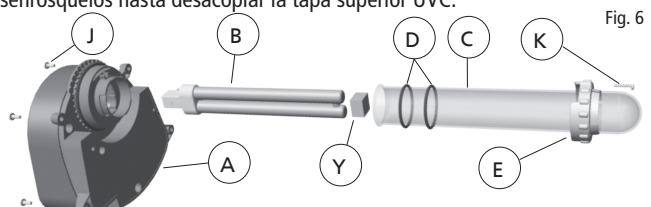


Fig. 6

- En este punto es posible limpiar el manguito de cuarzo (C), si es necesario. **Para hacerlo, use un paño suave y húmedo para quitar el sarro calcáreo y los desechos. En caso de suciedad difícil de quitar, puede usar un poco de vinagre. No use detergentes u otros limpiadores químicos. Si no hay necesidad de reemplazar la lámpara UVC, diríjase al paso n.º 10.**
- Para tener acceso a la lámpara UVC (B), extraiga el manguito de cuarzo (C). Primero, desenrosque unas 3 vueltas el tornillo de seguridad (K) del aro de brida (E) que sujeta el manguito a la tapa superior UVC. A continuación, gire el aro de brida aproximadamente 30 grados hacia la izquierda hasta que el tornillo coincida con la flecha presente en la tapa superior UVC, y jálelo para desacoplarlo de su lugar. Importante: El aro de brida incluye un tornillo de seguridad antipérdida. No es necesario que extraiga el tornillo por completo. Simplemente, desenrosque el tornillo hasta que el aro de brida quede suelto y se pueda desacoplar de su lugar.
- Ejerza un movimiento levemente giratorio para extraer el manguito de cuarzo, incluidas las juntas tóricas.
- Una vez que extraiga el manguito de cuarzo, quite la lámpara UVC (B) del portálmparas (si no es la primera puesta en marcha) y reemplácela con una nueva. **ADVERTENCIA: NO INTENTE MIRAR HACIA LA LÁMPARA CUANDO ESTÁ ENCENDIDA.** La exposición directa a la luz ultravioleta puede dañar los ojos y la piel. No pruebe la lámpara UVC a menos que el filtro esté completamente ensamblado y cerrado. **IMPORTANTE:** Siempre utilice piezas de repuesto originales de Laguna. Consulte la Lista de piezas de repuesto para identificar correctamente el número de piezas.
- Coloque el manguito de cuarzo (C) y las dos juntas tóricas (D) de vuelta en su posición original. Se recomienda lubricar las juntas tóricas con un lubricante adecuado. **IMPORTANTE:** El amortiguador de lámpara (Y) que está dentro del manguito de cuarzo debe estar entre la lámpara y la parte inferior del manguito de cuarzo. No lo extraiga. **IMPORTANTE – Las dos juntas tóricas (D) del manguito de cuarzo (C) deben remplazarse cada vez que se abra el aparato.**

- Coloque el aro de brida (E) en su posición original. Simplemente, haga coincidir el tornillo con la flecha y presione la brida hacia la tapa superior UVC; luego, gire el aro de brida aproximadamente 30 grados hacia la derecha en la dirección del tornillo de seguridad (K). En este punto, atornille el tornillo de seguridad (K) para ajustar el aro de brida (fig. 7, fig. 8 y fig. 9).

- Verifique el manguito de cuarzo (C) para asegurarse de que no esté dañado. Compruebe que todos los componentes estén presentes y se hayan vuelto a ensamblar correctamente. Si tiene dudas, consulte con el distribuidor de productos Laguna.

- Coloque la tapa superior UVC (A) nuevamente sobre la tapa del filtro (G) y procure que la junta tórica (F) interna esté debidamente colocada antes de fijar los tornillos (J) a la tapa superior UVC.

- Para fijar la tapa superior UVC (A) a la tapa del filtro, reajuste los 4 tornillos antipérdida (J) de la tapa superior UVC. **ADVERTENCIA. Riesgo de descarga eléctrica: Antes de encender la lámpara, asegúrese de que TODAS las juntas tóricas estén nuevamente colocadas en su posición original, TODOS los tornillos estén ajustados y el aparato no presente daños. Antes de conectar el aparato a la fuente de alimentación, realice el test de humedad del filtro (consulte abajo).**

- El filtro ahora está listo para su puesta en marcha. Lea y siga todas las instrucciones en **Puesta en marcha del filtro, funcionamiento y limpieza de retrolavado.**

## ALMACENAMIENTO DURANTE EL INVIERNO

Se debe proteger al aparato de la escarcha. En climas de inviernos fríos, de debe apagar el aparato. Luego, se debe drenar el agua, desinstalar el aparato y luego almacenarlo en un área seca, resistente a la intemperie. Se recomienda dejar la tapa del aparato abierta durante el almacenamiento.

## Test de humedad del filtro

Una vez que el aparato esté completamente ensamblado, se lo debe someter a un test de humedad antes de conectarlo a la fuente de alimentación. Este test se debe repetir cada vez que la lámpara y el manguito de cuarzo se cambien o desarmen.

- Siga todas las instrucciones de instalación para instalar el filtro y conectarlo a la bomba. NO encienda el filtro. Encienda únicamente la bomba y déjela funcionar durante 24 horas.
- Luego de 24 horas, apague la bomba y desenrosque los 4 tornillos (J) para extraer la tapa superior UVC (A) del filtro. No desarme ninguna otra pieza.
- Examine la parte interna del manguito de cuarzo (C) para comprobar que no haya fugas. Si advierte la presencia de agua dentro del manguito de cuarzo y alrededor de la lámpara, NO conecte el aparato a la fuente de alimentación; llévelo a un distribuidor de productos Laguna autorizado o comuníquese con el Servicio a la clientela de Laguna.

Si, por el contrario, no se observa agua dentro del manguito de cuarzo (C), vuelva a ensamblar el aparato con cuidado y úselo normalmente de acuerdo con esta Guía de instalación y mantenimiento.

### Piezas de repuesto UVC - 230-240 V 50 Hz

		PT1715 PF 3000 l	PT1716 PF 6000 l	PT1717 PF 10 000 l	PT1718 PF 14 000 l
Lámpara UVC + 2 juntas tóricas	B	PT1601	PT1601	PT1602	PT1603
Manguito de cuarzo + 2 juntas tóricas	C D	PT1605	PT1605	PT1606	PT1607

### Piezas de repuesto UVC – 120 V 60 Hz

		PT1725 PF 1000 gal. EAU	PT1726 PF 2000 gal. EAU	PT1727 PF 3000 gal. EAU	PT1728 PF 4000 gal. EAU
Lámpara UVC + 2 juntas tóricas	B	PT1701	PT1701	PT1603	PT1703
Manguito de cuarzo + 2 juntas tóricas	C D	PT1704	PT1704	PT1607	PT1706

### Piezas de repuesto universales (consulte las ilustraciones del producto)

		Pressure-Flo 1000/3000	Pressure-Flo 2000/6000	Pressure-Flo 3000/10000	Pressure-Flo 4000/14000
Juntas tóricas del manguito de cuarzo (2 unid.)	D	PT1707	PT1707	PT1708	PT1708
Brida del manguito de cuarzo	E	PT1711	PT1711	PT1712	PT1712
Junta tórica de la tapa superior UVC	F	PT1530	PT1530	PT1530	PT1530
Acoplamientos universales tipo "click-fit"	H	PT640	PT640	PT640	PT640
Tapón hermético "click-fit"	I	PT1543	PT1543	PT1543	PT1543
Hojas para limpiar la espuma (2 unid.)	L	PT1513	PT1513	PT1514	PT1514
Kit de filtros de espuma	M	PT1735	PT1736	PT1737	PT1738
Junta tórica para sellar la tapa	P	PT1535	PT1535	PT1536	PT1536
Juntas tóricas de goma	aa	PT743	PT743	PT743	PT743

\* Consulte las ilustraciones del producto.

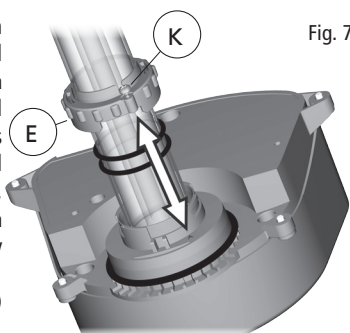


Fig. 7

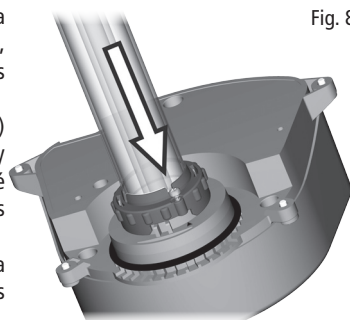


Fig. 8

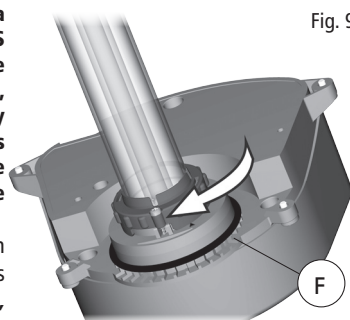


Fig. 9

## GARANTÍA

### Para registrar su garantía o para obtener más información, visite

[www.hagen.com](http://www.hagen.com) Este producto tiene una garantía por defectos en el material o en la fabricación por un período de tres (3) años a partir de la fecha de compra. Esta garantía solo es válida en condiciones normales de funcionamiento para las cuales el producto está destinado. La garantía no se aplica a los aparatos que hayan sido sometidos a uso indebido, negligencia, maltrato, daño accidental o daño causado por un empaque defectuoso o por maltrato durante el transporte. Esta garantía no cubre el desgaste normal de las piezas y no se aplica a los aparatos que hayan sido utilizados con fines comerciales. La garantía no cubre la bombilla UVC. No se asume ninguna responsabilidad en relación con la pérdida o daños de los animales de cría o de la propiedad personal independientemente de qué los ocasione. Esta garantía no afecta sus derechos establecidos por ley. Esta garantía no cubre daños ni defectos causados o generados a partir del envío del producto o de reparaciones, alteraciones o mantenimiento hechos al producto o a cualquiera de sus piezas por una persona no autorizada por Rolf C. Hagen Inc.

## RECICLAJE

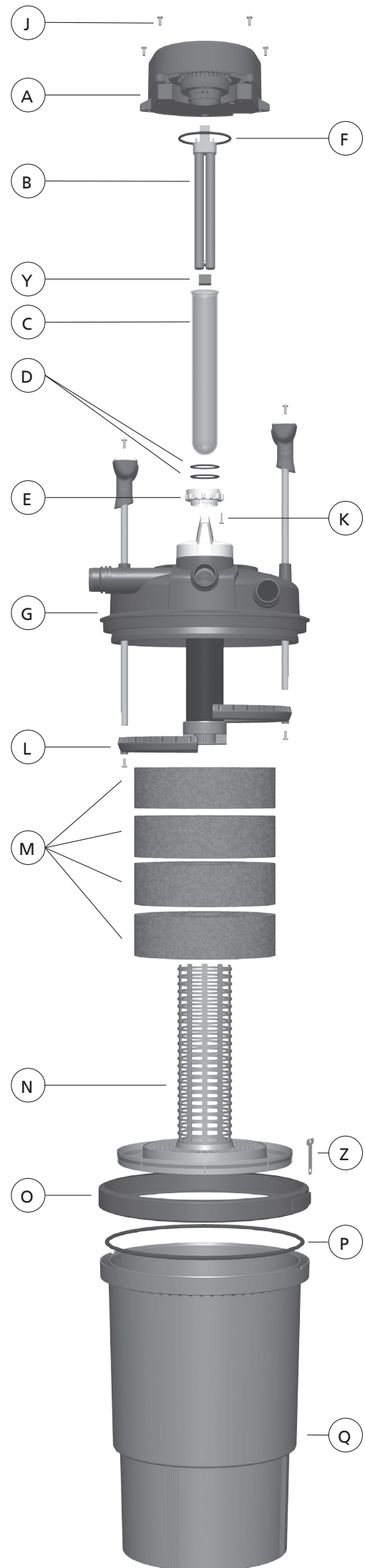
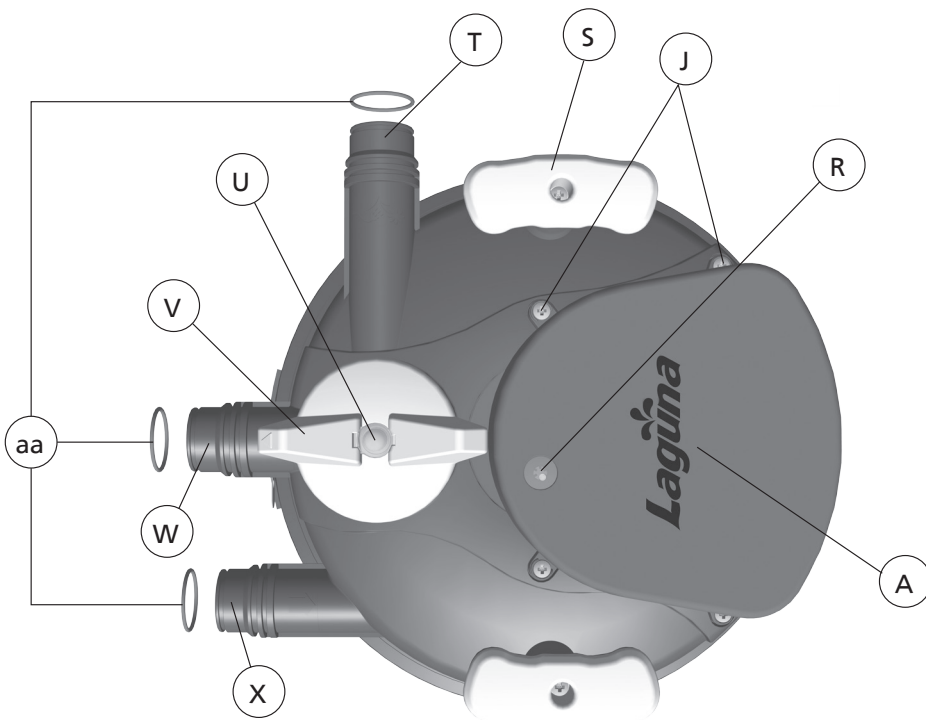
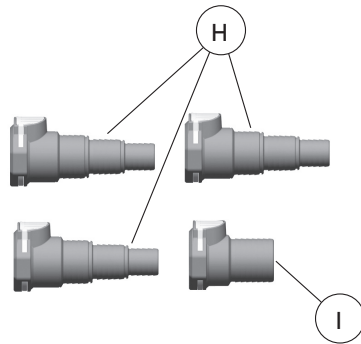
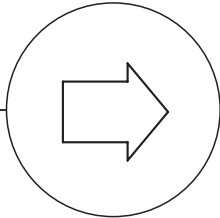
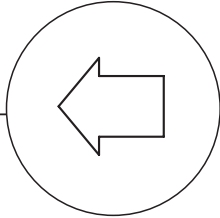
Este artículo lleva el símbolo de clasificación selectiva para residuos de aparatos electrónicos y eléctricos (WEEE). Esto significa que el producto debe manipularse según la Directiva Europea 2002/96/EC para ser reciclado o desmantelado para disminuir el impacto ambiental. Para obtener más información, póngase en contacto con las autoridades locales o regionales. Los productos electrónicos que no son parte de este proceso selectivo son considerados potencialmente riesgosos para la salud humana y el medio ambiente debido a la presencia de sustancias peligrosas.



# Instruções em Português

Consulte estas ilustrações ao ler o manual de instruções.

- A Cabeça UV-C
- B Lâmpada UV-C
- C Manga de quartzo
- D O-Rings
- E Flange de retenção
- F O-ring da cabeça UV-C
- G Tampa do filtro
- H Click-fit universal
- I Tampão de vedação Click-fit
- J Parafusos de cabeça
- K Parafusos com flange da manga de quartzo
- L Folhas de limpeza de espuma
- M Filtros de espuma
- N Estrutura de suporte de espuma
- O Fixação da tampa
- P O-Ring da tampa do filtro
- Q Caixa do filtro
- R Indicador da lâmpada
- S Pegas de limpeza
- T Saída de drenagem
- U Indicador de limpeza
- V Interruptor selector de modo
- W Saída de água
- X Entrada de água
- Y Amortecedor da lâmpada
- Z Bloqueio de segurança
- aa O-Rings de borracha



**FILTRO PARA LAGOS COM UNIDADE UVC INTEGRADA**  
**Apenas para utilização em água doce; Leia cuidadosamente**  
**antes da instalação e colocação em funcionamento**

**INSTRUÇÕES IMPORTANTES DE SEGURANÇA**

**AVISO: Para evitar ferimentos, deve seguir as precauções básicas de segurança que incluem o seguinte:**

1. LEIA E SIGA TODAS AS INSTRUÇÕES DE SEGURANÇA e todas as advertências importantes sobre a utilização e manutenção do equipamento. Desrespeitar estas instruções pode resultar em danos do equipamento ou em ferimentos pessoais.
- PERIGO – Para evitar possíveis choques eléctricos, deve ter cuidados especiais, uma vez que é utilizada água no equipamento para lagos. Relativamente a cada uma das seguintes situações, não tente efectuar reparações sozinho; devolva o equipamento ao local onde ele foi adquirido se este ainda se encontrar na garantia:
- Este é um produto à prova de intempéries mas NÃO submersível. Não mergulhe o produto na água! Se o equipamento cair na água, NÃO tente agarrá-lo. Primeiro, desligue a ficha da tomada e, de seguida, retire-o da água.
2. Antes de proceder à instalação da unidade, verifique se a manga de quartzo e a lâmpada UVC não foram danificadas durante o transporte, uma vez que a lâmpada UV (B) e a manga de quartzo (C) são feitas de vidro. Manuseie-as com cuidado. Não manuseie a lâmpada UV com as mãos desprotegidas, pois tal irá comprometer o seu desempenho.
- Se o equipamento apresentar qualquer sinal de fugas de água anormais ou se o RCD (ou GFCI - Interruptor de Corrente Com Falhas de Ligação à Terra) desligar, desligue o cabo de alimentação da fonte de alimentação (fonte de alimentação principal).
- Examine o equipamento com cuidado após a instalação. Este não deve ser ligado à tomada se existir água nas peças que não podem ficar molhadas. Se quaisquer componentes eléctricos do equipamento se molharem, desligue imediatamente a ficha da tomada.
- Não utilize nenhum equipamento se este tiver uma ficha ou um cabo danificado, se não funcionar correctamente, se o deixar cair ou se estiver danificado de alguma forma. O cabo de alimentação deste equipamento é um cabo especial, se este estiver danificado deve ser substituído por um representante autorizado de manutenção Laguna ou por uma pessoa com qualificações semelhantes para evitar qualquer perigo. Nunca corte o cabo de alimentação.
3. AVISO - Este equipamento contém um emissor de UV-C. A exposição directa a UV-C pode ser prejudicial para os olhos e para a pele. Não utilize o emissor de UV-C quando retirado do compartimento do equipamento.
4. AVISO – Este equipamento pode ser utilizado por crianças a partir dos 8 anos de idade e por pessoas com capacidades físicas, sensoriais e mentais reduzidas ou com falta de experiência e conhecimento sob supervisão ou caso tenham recebido instruções de utilização de forma segura do equipamento e compreendam os perigos envolvidos. As crianças não devem brincar com o equipamento. A limpeza e a manutenção por parte do utilizador não devem ser feitas por crianças sem supervisão.
5. Para evitar ferimentos, não toque nas peças móveis ou quentes.
6. CUIDADO – Desligue sempre a alimentação eléctrica de todos os equipamentos do lago antes de colocar as mãos na água, antes de colocar ou retirar peças e durante a instalação, manutenção ou manuseamento do equipamento. Nunca puxe um cabo com força para retirar uma ficha da tomada. Agarre a ficha e puxe-a para retirá-la da tomada. Desligue sempre da tomada eléctrica o equipamento quando não o estiver a utilizar.
7. É uma unidade de Filtro completa com um esterilizador UV integrado para lagos de jardins com água doce. Não dê outra utilização ao equipamento para além do uso para o qual foi concebido. A utilização não intencional do equipamento ou danos no invólucro podem provocar a emissão accidental de radiação UV-C perigosa. A radiação UV-C pode, mesmo em pequenas doses, ser prejudicial para os olhos e para a pele.

- Não utilize este produto em piscinas ou noutras situações onde haja pessoas dentro de água;
  - Este produto deve ser utilizado com uma temperatura da água entre 4 °C e 35 °C;
  - Não utilize este produto com líquidos inflamáveis ou potáveis.
  - A utilização de acessórios não recomendados ou vendidos pelo fabricante do equipamento pode provocar uma situação de insegurança e invalidar a sua garantia.
8. Não instale nem guarde o equipamento em locais expostos a temperaturas próximas de 0 °C (32 °F) ou inferiores. Em condições de congelamento, desligue a alimentação do filtro e drene a água da caixa do filtro. No Inverno, remova e armazene o equipamento num local protegido.
  9. Proteja também o equipamento da exposição directa à luz solar. Os materiais possuem uma grande estabilidade perante a exposição solar mas raios directos poderão sobreaquecer o motor e acelerar o envelhecimento do isolamento.
  - Para evitar o sobreaquecimento, não coloque objectos no filtro.
  - Este produto não deve ser colocado onde exista possibilidade de cair na água. Não instale numa área onde possam ocorrer inundações ou onde a água se possa acumular. Deverá ser colocado pelo menos a 1 m/3,2 pés da margem do lago de jardim, num local seco e protegido, com ventilação suficiente à volta. Certifique-se de que existe espaço suficiente à volta da unidade para que possa efectuar a manutenção.
  10. IMPORTANTE – A pressão de funcionamento máxima é de 0,04 Mpa (0,4 Bar ou 5,8 PSI). Não ligue o filtro eléctrico à fonte de alimentação na água.
  11. Não tente abrir a fixação da tampa (O) e elevar a tampa quando o equipamento e os filtros estiverem em funcionamento. O fecho da fixação da tampa possui um encaixe metálico de segurança para evitar a abertura accidental.
  12. Se for necessário um cabo de extensão, assegure que a ligação é à prova de água e pó. Deve utilizar um cabo com classificação apropriada. Um cabo com capacidade de amperes ou watts inferior à do equipamento pode sobreaquecer. Deverá certificar-se de que ninguém irá tropeçar ou puxar o cabo. A ligação deve ser efectuada por um instalador eléctrico qualificado.
  13. IMPORTANTE – A ligação eléctrica deve estar em conformidade com os dados da etiqueta de classificação; o equipamento apenas pode ser utilizado depois de ter sido correctamente instalado. A segurança eléctrica só é garantida quando o produto estiver ligado a um dispositivo de corrente residual (RCD) ou Interruptor de Circuito Com Falhas de Ligação à Terra (GFCI) com uma corrente de funcionamento residual nominal não superior a 30 mA.
  14. AVISO – Não ligue o filtro à corrente eléctrica, excepto se o filtro estiver total e correctamente montado. Nunca utilize o produto sem água. O filtro deve estar sempre e totalmente cheio de água enquanto estiver em funcionamento.
  15. AVISO – Risco de electrocussão. Este equipamento possui um cabo de 3 fios com ligação à terra (ficha de 3 pinos). Esta ficha só irá encaixar numa tomada eléctrica adequada para uma ficha de 3 pinos. Esta é uma função de segurança. Se a ficha não encaixar na tomada, contacte um electricista para substituir a tomada. Não tente ignorar a peça do pino de ligação à terra da ficha de 3 pinos que lhe permite maior segurança. Certifique-se de que o equipamento apenas está ligado a uma tomada correctamente ligada à terra, equipada com RCD ou GFCI e com uma capacidade de 30 mA.
- AVISO – Não enterre o cabo. Coloque o cabo num local protegido da acção de cortadores de relva, aparadores de sebes e de outros equipamentos. As instalações permanentes efectuadas para a fonte de alimentação principal (cablagem fixa) devem estar em conformidade com os regulamentos da autoridade local, os quais devem estipular qual a utilização de um condutor em plástico ou em metal para proteger o cabo.

**GUARDE ESTAS INSTRUÇÕES PARA REFERÊNCIA FUTURA**

Especificações do filtro	Pressure Flo 1000/3000	Pressure Flo 2000/6000	Pressure Flo 3000/10000	Pressure Flo 4000/14000
Dimensão da unidade (diâmetro x altura)	ø11,2 pol. - 13,7 pol. A ø28,5 cm - 35 cm A	ø11,2 pol. - 20 pol. A ø28,5 cm - 51 cm A	ø14,3 pol. - 20,6 pol. A ø36,5 cm - 52,5 cm A	ø14,3 pol. - 25,2 pol. A ø36,5 cm - 64 cm A
Altura da caixa	9 pol. (23 cm)	15,2 pol. (38,5 cm)	15,7 pol. (40 cm)	19,7 pol. (50 cm)
Volume da caixa	2,6 U.S. gal (10 l)	4,6 U.S. gal (17,5 l)	8,2 U.S. gal (31 l)	10,6 U.S. gal (40 l)
Quantidade de espuma	3	4	4	5
Bio-Lava/Bio-Rock	-	1600 g	3200 g	4800 g
Dimensão do conector da mangueira	¾", 1", 1 ¼" (19, 25, 32 mm); fêmea 1 ¼" (32 mm)			
Lâmpada UV-C	120 V - 60 Hz	13W	24 W	36 W
	230-240 V - 50 Hz	11W	18 W	24 W
Bomba Max-Flo Laguna recomendada <sup>1</sup>	PT8232	PT8236	PT8244	PT8248
Comprimento total da mangueira recomendado <sup>2</sup>	13 pés - 4 m		19 pés - 6 m	26 pés - 8 m
Diâmetro mínimo da mangueira para obter os desempenhos acima indicados	1-¼"			
Altura máxima recomendada da cascata para obter os desempenhos acima indicados	24" - 60 cm		39" - 100 cm	

A manutenção do filtro será mais frequente durante os meses quentes de Verão.

1 Se a aplicação incluir uma cascata mais elevada do que a altura máxima indicada, escolha uma bomba maior.

2 Comprimento total saída + entrada. Apenas para referência. A taxa de fluxo final depende de muitos factores, como o comprimento e o diâmetro da mangueira, vincos ou dobras na mangueira e a altura das cascatas.

## CONTEÚDO

Antes de começar, verifique se os seguintes itens estão incluídos na caixa::

- Filtro Pressure-Flo
- Lâmpada UV-C, instalada
- 3 Filtros de espuma (PF 1000/PF 3000), 4 Filtros de espuma (PF 2000/PF 6000 e PF 3000/PF 10000, 5 Filtros de espuma (PF 4000/PF 14000)
- Meios biológicos (excepto Pressure-Flo 1000/3000 UVC)
- 1 O-ring de vedação da tampa (P), fornecido num saco de plástico em separado
- 3 acoplamentos Click-fit (H) para mangueiras com diâmetros de 19, 25 e 32 mm (¾ pol., 1 pol., e 1-¼ pol.)
- 1 tampão de vedação Click-fit (I)
- Manual de instruções
- Bloqueio de segurança (Z)
- 3 O-rings de borracha (aa)

## UTILIZAÇÃO PREVISTA

O Filtro Pressure-Flo é um filtro pressurizado com um esterilizador UV-C integrado, concebido para permitir uma filtragem mecânica e biológica em lagos ornamentais exteriores de água doce, com uma temperatura entre +4 °C e 35 °C (+39,2 a 95 °F), com ou sem peixes. A finalidade da filtragem mecânica é aprisionar e acumular detritos e resíduos provenientes do lago. A filtragem biológica tem por objectivo converter os subprodutos tóxicos do metabolismo dos peixes e outros resíduos orgânicos em substâncias muito menos nocivas. A filtragem UV-C tem por objectivo inibir o crescimento de algas unicelulares.

## COMO FUNCIONAM OS FILTROS PRESSURE-FLO

Os Filtros Pressure-Flo foram concebidos para permitir três importantes operações de filtragem de água que são essenciais para manter a água do lago com um aspecto limpo e saudável: filtragem mecânica e biológica e esterilização UVC. Os filtros foram concebidos para trabalhar em conjunto com uma bomba de manuseamento de sólidos. Para obter os melhores resultados, utilize a bomba de circulação Max-Flo Laguna. Com o filtro ligado à saída de uma bomba, a água entra na unidade através da entrada de água (X). É então forçada a passar pela etapa de filtragem mecânica, constituída por filtros de espuma que interceptam e aprisionam sujidade e resíduos. Em seguida, a água chega à câmara de filtragem biológica\*, onde entra em contacto com as bactérias benéficas. Por fim, a água livre de sujidade percorre a unidade da lâmpada UV-C (B), onde é exposta a raios ultravioleta que inibem o crescimento de algas. A água regressa ao lago através da saída (W).

\*Pressure-Flo 1000/3000 UVC não inclui filtragem biológica.

## SISTEMA DE LIMPEZA - LAVAGEM CONTRA-CORRENTE

Durante a operação, os detritos de maior diâmetro são capturados na superfície dos filtros de espuma. Como resultado, ao longo do tempo, a superfície externa dos filtros de espuma acabará por ficar obstruída e impedir uma filtragem adequada, devido à redução do fluxo da água. O fluxo limitado da água através dos filtros de espuma reduz a eficácia da filtragem biológica e de UV-C. Esta situação pode ser facilmente detectada graças ao indicador de limpeza (U). Os Filtros Pressure-Flo incluem um Sistema de limpeza de lavagem em contra-corrente exclusivo que limpa completamente toda a superfície dos filtros de espuma mecânicos. A operação de limpeza completa pode ser fácil e confortavelmente realizada em poucos minutos, sem ser necessário abrir a unidade. A limpeza assegurará o nível ideal de desempenho do filtro. Embora o Sistema de limpeza de lavagem em contra-corrente prolongue o tempo entre as sessões de manutenção, a unidade necessita de uma limpeza mais profunda periodicamente. Consulte Limpeza e manutenção do Filtro Pressure-Flo para mais detalhes.

## INDICADOR DE LIMPEZA

Esta unidade possui um indicador de limpeza (U), que lhe indica quando é necessário lavar em contra-corrente ou limpar o filtro. A altura do indicador vermelho de limpeza é aproximadamente proporcional ao nível de obstrução do filtro. Quando o indicador vermelho está em baixo, o filtro está limpo. Quando o indicador vermelho está totalmente exposto, é necessário limpar o filtro. O indicador de limpeza pode ser afectado por muitas variáveis, como a altura da cascata e o desempenho da bomba. As características de funcionamento foram calibradas de acordo com as condições de aplicação específicas indicadas na tabela (seleccionar o Pressure-Flo e a bomba Max-Flo adequados para o seu lago). As diferentes condições de aplicação podem levar a diferentes resultados.

## ADEQUAR O PRESSURE-FLO E A BOMBA MAX-FLO ADEQUADOS PARA O SEU LAGO

Utilizando a tabela da página 2, seleccione a combinação correcta de bomba Max-Flo/filtro Pressure-Flo Laguna de acordo com as condições e dimensões do seu lago. Devido ao elevado número de variáveis, as recomendações que se seguem são apenas para orientação geral.

## INSTALAÇÃO

### Localização do filtro

Escolha um local adequado para o seu filtro Pressure-Flo, sem esquecer as seguintes recomendações:

- Coloque o Filtro Pressure-Flo numa base firme e nivelada, protegido de possíveis inundações e com ventilação suficiente. Proteja o equipamento da luz solar directa.
- Coloque acima do solo ou enterrado com a fixação da tampa (O) pelo menos 5 cm/2 polegadas acima do nível do solo.
- Para evitar o sobreaquecimento, não cubra o filtro.
- Coloque o filtro pelo menos a 1 metro/3,2 pés da extremidade do lago e certifique-se de que não há qualquer possibilidade de cair na água.
- Certifique-se de que tem acesso total à tampa da unidade para manutenção.
- Não coloque o filtro em funcionamento com uma pressão de água superior a 0,4 bar ou 5,8 PSI de pressão. Nunca ligue o filtro à rede de água pública.
- Oriente o filtro de forma a que a entrada de água (X), a saída de água (W) e a saída de drenagem (T) apontem para a direcção pretendida, a fim de evitar curvas acentuadas na mangueira.

### Ligações da mangueira

O filtro Pressure-Flo requer a ligação de 3 mangueiras (não incluídas): uma para a entrada da unidade (da bomba do lago), uma para a saída que leva a água filtrada para o lago,

e uma para descarregar a água suja do filtro para uma local exterior do lago durante a manutenção. Ao seleccionar e instalar as mangueiras para a sua aplicação, maximize o fluxo potencial escolhendo o diâmetro mais largo e a mangueira mais curta possível, evitando dobras e curvas bruscas. Os Filtros Pressure-Flo estão equipados com 3 acoplamentos click-fit universais (H) que fazem com que seja simples e rápido ligar e desligar a mangueira. Ligue as mangueiras flexíveis aos acoplamentos click-fit e prenda-as com uma fixação para a mangueira adequada (não incluída).

**IMPORTANTE – Os acoplamentos click-fit universais (H) permitem a ligação de mangueiras flexíveis com diferentes diâmetros, mas é importante cortar os terminais da mangueira de diâmetro mais pequeno não utilizados, para evitar restrições do fluxo.**

Quando as mangueiras flexíveis estiverem devidamente presas aos acoplamentos click-fit, pode desligar a mangueira da unidade empurrando o botão do acoplamento click-fit e puxando. Para ligar os acoplamentos click-fit à unidade, insira-os nos conectores macho localizados na tampa da unidade e certifique-se de que o botão do acoplamento sobe totalmente.

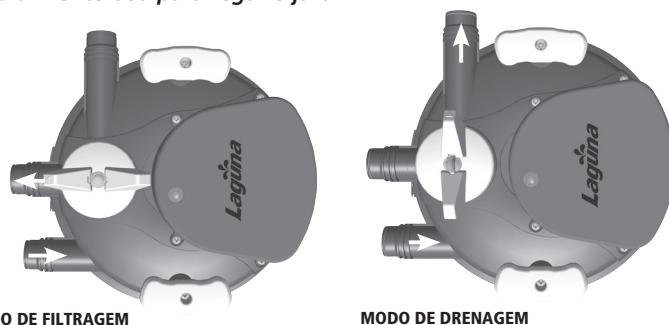
**Entrada da água (X):** a entrada de água corresponde ao local onde a água do lago entra para o filtro Pressure-Flo. Basta ligar a saída de uma bomba de manuseamento de sólidos Max-Flo Laguna à entrada do Pressure-Flo (X) utilizando uma mangueira sem dobras. A bomba fornece a água suja do lago para o filtro Pressure-Flo.

**Saída da água (W):** a saída de água devolve a água filtrada ao lago quando o filtro está a funcionar no modo de filtragem. A mangueira presa à saída de água (W) pode ser colocada directamente no lago ou ser utilizada para criar um curso de água ou uma cascata. Esta saída é activada quando o Interruptor selector de modo (V) está a apontar para saída de água (W) (Modo de filtragem). A extremidade da mangueira de saída deve ser colocada o mais afastada possível da entrada da bomba para maximizar a circulação de água no lago.

**Saída de drenagem (T):** a saída de drenagem corresponde ao local onde a água suja sai do filtro aquando da utilização do Sistema de limpeza de lavagem em contra-corrente. Ligue uma mangueira à saída de drenagem para permitir a drenagem de água suja do filtro para o seu jardim (Ver Dica abaixo). Esta saída é activada quando o Interruptor selector de modo (V) está a apontar para a saída de drenagem (T) (Modo de drenagem).

**IMPORTANTE – Durante o funcionamento normal no “Modo de filtragem”, feche a saída de drenagem (T) utilizando o tampão de vedação Click-fit (I).**

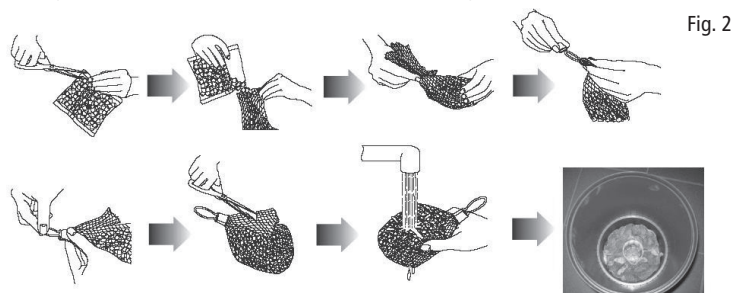
**Dica: a água suja do lago é rica em nutrientes e não possui cloro, sendo particularmente boa para regar o jardim.**



## ARRANQUE, FUNCIONAMENTO E LIMPEZA DE LAVAGEM EM CONTRA-CORRENTE DO FILTRO

**IMPORTANTE! – Antes do primeiro e de cada arranque após a limpeza do filtro, verifique o seguinte:**

- Antes do primeiro arranque, é necessário instalar o O-ring da tampa (P), fornecido num saco de plástico em separado. Este O-ring tem de ser devidamente inserido no local correcto, no topo da caixa do filtro (Fig. 1).
- Este filtro é entregue com a lâmpada UVC já instalada. Antes de ligar o filtro à fonte de alimentação é necessário efectuar o Teste de humidade do filtro. Consulte a secção “Substituição da lâmpada UV-C e limpeza da manga de quartzo” para instruções detalhadas.
- Os Meios biológicos têm de ser colocados na Caixa do filtro, conforme indicado na imagem (excepto Pressure-Flo 1000/3000 UV-C) (Fig. 2).



- Certifique-se de que a tampa (G) está devidamente fechada com a fixação (O) e o O-ring (P) da tampa devidamente colocados. **IMPORTANTE:** Antes de aplicar a fixação da tampa (O), esta (G) tem de ser pressionada para baixo até que a folga entre a tampa e a caixa do filtro desapareça. A fixação da tampa tem de ser fechada, com o bloqueio metálico de segurança (Z) inserido correctamente no interior da ranhura do fecho. **AVISO:** Tenha atenção para não prender os seus dedos ou o cabo quando fechar a fixação da tampa. Pode ser inserido um cadeado (não incluído) no orifício inferior do bloqueio de segurança (Z) para prendê-lo se necessário.



- O Interruptor selector de modo (V) tem de ser colocado na posição “Modo de filtragem” com o interruptor a apontar para a saída de água (W). **O selector de modo (V) tem de ser totalmente rodado a 90°; não o coloque em posições intermédias.**

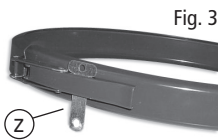


Fig. 3

- Certifique-se de que todas as mangueiras foram devidamente ligadas à unidade e colocadas na respectiva posição final. Certifique-se de que a secção macho de todos os acoplamentos Click-Fit está equipada com o O-Ring de borracha (aa).

**Durante o funcionamento normal no “Modo de filtragem”, feche a saída de drenagem (T) utilizando o tampão de vedação Click-fit (I). Certifique-se sempre de que o Tampão de vedação Click-fit está devidamente fixo no local (botão de pressão totalmente para cima).**

**ATENÇÃO – Não utilize a lâmpada UV-C (B) se não existir um fluxo de água a percorrer a unidade.**

**Depois das verificações acima indicadas, efectue o seguinte:**

1. Ligue a bomba e coloque o filtro em funcionamento durante vários minutos para verificar se não existem fugas de água.
2. Se estiver tudo OK e o fluxo de água for regular ao longo da unidade, ligue a lâmpada UV-C do Pressure-Flo à fonte de alimentação. O indicador da lâmpada (R) acende com um brilho azul quando a lâmpada UV-C está a funcionar; esta luz é mais nítida após o anoitecer.

Mantenha o filtro a trabalhar durante 24 horas por dia e, idealmente, durante o ano inteiro, desde que não exista gelo e o fluxo de água possa percorrer livremente a unidade.

## SISTEMA DE LIMPEZA - LAVAGEM CONTRA-CORRENTE

Quando a superfície de espuma ficar obstruída, o Sistema de limpeza de lavagem em contra-corrente restabelece de forma rápida e eficaz o funcionamento normal do filtro sem ser necessário abrir a unidade. A limpeza deve ser efectuada pelo menos semanalmente ou sempre que o indicador de limpeza (U) detectar que o filtro está obstruído ou sujo, ou quando sair água turva do filtro. Se o lago estiver muito sujo e se durante as primeiras semanas a unidade for utilizada, o filtro poderá necessitar de uma limpeza mais frequente. Efectue o seguinte:

1. Desligue a alimentação da bomba do lago.
  2. Retire o Tampão de vedação click-fit da saída de drenagem (T). **ATENÇÃO:** sairá um pequeno fluxo de água.
  3. Ligue uma mangueira de drenagem à saída de drenagem (T) e certifique-se de que a água suja é expelida para o local pretendido.
  4. Coloque o Interruptor selector de modo (V) na posição Modo de drenagem (aponte o selector totalmente para a saída de drenagem (T)). Poderá continuar a sair uma pequena quantidade de água da saída de água (W). Esta situação é normal. Para evitá-la, retire o Click-Fit universal da saída de água e ligue o Tampão de vedação Click-fit.
  5. Ligue a alimentação da bomba do lago.
  6. Faça deslizar ambas as pegas de limpeza (S) para cima e para baixo. Este movimento deslizante ascendente e descendente faz com que as folhas de limpeza esfreguem a superfície dos filtros de espuma, expulsando os detritos e suspendendo-os na câmara exterior do filtro, onde a água carregada com os detritos suspensos é forçada a sair do filtro através da Saída de drenagem (T). Prossiga durante vários minutos até começar a sair água límpida da mangueira de drenagem.
  7. **ATENÇÃO –** O sistema de limpeza utiliza água do lago. Este facto deve ser levado em consideração quando utilizar a funcionalidade de limpeza. Quando concluir a limpeza, encha novamente o lago até ao nível de água pretendido.
  8. Desligue a alimentação da bomba do lago.
  9. Coloque o Interruptor selector de modo (V) na posição Modo de filtragem (selector totalmente apontado para a Saída de água (W)). O filtro encontra-se agora no modo de filtragem normal. A saída de um fluxo de água verde durante alguns segundos é normal.
  10. Vede a Saída de drenagem (T) utilizando o Tampão de vedação Click-fit (I). Certifique-se de que está devidamente fixado no local (botão de pressão totalmente para cima). Se o filtro continuar obstruído no final desta operação, inspecione o Indicador de limpeza para confirmar se está limpo e desimpedido (consulte Limpeza de meios biológicos e espuma, ponto 11, para instruções detalhadas). Se o Indicador de limpeza continuar a indicar uma obstrução, efectue a Limpeza de meios biológicos e espuma, conforme abaixo explicado.
  11. Ligue a alimentação da bomba do lago.
- Se o filtro continuar obstruído no final desta operação, efectue a limpeza de meios biológicos e espuma abaixo indicada.

## LIMPEZA E MANUTENÇÃO DO FILTRO PRESSURE-FLO

### AVISOS:

- Não tente abrir a fixação da tampa (O) e levantar a tampa quando a bomba e o filtro estiverem a funcionar. O fecho da fixação da tampa possui um encaixe metálico de segurança para evitar a abertura accidental.
- **NÃO TENHA OBSERVAR A LÂMPADA QUANDO ESTIVER ACESA!** A exposição directa à luz ultravioleta pode ser prejudicial para os olhos e para a pele.
- A lâmpada UV-C (B) e a manga de quartzo (C) são fabricadas em vidro. Manuseie todas as peças com cuidado.
- Certifique-se de que as peças eléctricas internas do equipamento estão secas

antes, durante e após as operações de manutenção.

- O Interruptor selector de modo (V) desvia a água mas não a pára.

## LIMPEZA DE MEIOS BIOLÓGICOS E ESPUMA

No início de cada estação ou quando o Sistema de limpeza de lavagem em contra-corrente não produzir os resultados esperados será necessário lavar cuidadosamente ou substituir os filtros de espuma (M). Durante os meses quentes de Verão é necessária uma limpeza mais frequente. Durante esta operação, os meios biológicos também podem ser limpos e/ou substituídos (excepto Pressure-Flo 1000/3000 UVC).

1. Desligue a lâmpada UV-C (B) desligando a ficha da unidade da fonte de alimentação principal.
  2. Desligue a bomba que abastece o Filtro Pressure-Flo.
  3. Desligue todas as mangueiras da unidade libertando os acoplamentos click-fit (empurre o botão de pressão e puxe).
  4. Levante lentamente as Pegas de limpeza (S) até à extensão máxima acima do filtro.
  5. Retire o encaixe de segurança da fixação da tampa metálica (O). Desengate a fixação da tampa metálica.
  6. Retire a tampa (G) segurando nas pegas de limpeza ou elevando cuidadosamente até às ranhuras laterais através de uma chave de cabeça chata adequada. **ATENÇÃO:** não force as partes laterais das hastes guia pois poderá danificar a unidade.
- ATENÇÃO –** A tampa faz parte da unidade UV-C com a lâmpada e a manga de quartzo, que são fabricadas em vidro. **MANUSEIE TODAS AS PEÇAS COM CUIDADO!**
7. Tem agora acesso aos Filtros de espuma (M). Retire todos ao mesmo tempo segurando e levantando a Estrutura de suporte de espuma interna (N).
  8. Liberte os Filtros de espuma (M) da Estrutura de suporte de espuma (N) e lave com água do lago ou substitua-os, conforme necessário.
  9. Lave os meios biológicos localizados na secção inferior da Caixa do filtro (Q) com água do lago ou substitua-os, conforme necessário. O Pressure-Flo 1000/3000 UVC não inclui uma câmara de meios biológicos.
  10. Limpe a Caixa do filtro (Q) com água, particularmente em redor da extremidade superior onde se encontra o O-ring de vedação da (P) tampa.
  11. Se necessário, limpe o Indicador de Limpeza (U) depois de desmontá-lo da seguinte forma (o Interruptor selector de modo (V) tem de estar na posição “Modo de filtragem”): 1) retire a flange de retenção rodando-a para a esquerda, 2) retire o indicador e a respectiva mola. Lave todas as peças com água e volte a montá-las com cuidado. (Fig. 4 - Fig. 5).

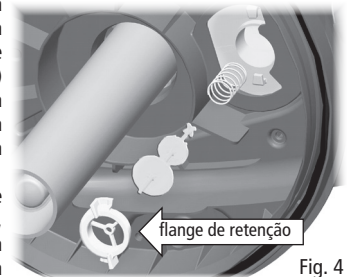


Fig. 4

12. Inspeccione e limpe as duas Folhas de limpeza (L) e as hastes guia. Se necessário, substitua as folhas por novas. Cada folha pode ser facilmente retirada da haste guia desapertando o parafuso no meio.
13. Coloque a espuma e os meios de filtragem biológicos novamente nos respectivos locais originais. Certifique-se de que os filtros de espuma estão devidamente empilhados sem qualquer espaço entre eles.

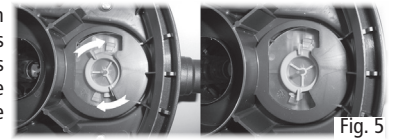


Fig. 5

14. Volte a montar a unidade com cuidado. Certifique-se de que os meios de filtragem biológicos não interferem com a estrutura de suporte de espuma (N) e que a estrutura é reposta correctamente.
15. O filtro está agora pronto para ser colocado em funcionamento. Leia e siga todas as instruções em Arranque, funcionamento e limpeza de lavagem em contra-corrente do filtro.

**NUNCA** utilize sabão ou detergentes para limpar. Quaisquer vestígios restantes poderão poluir o lago e danificar os tecidos sensíveis dos peixes.

## SUBSTITUIÇÃO DA LÂMPADA UV-C E LIMPEZA DA MANGA DE QUARTZO

**Substituição da lâmpada UV-C:** para manter um excelente desempenho, a lâmpada UV-C (B) deverá ser substituída todos os anos. A Primavera é a época ideal, durante a manutenção do lago pré-estação.

**Limpeza da manga de quartzo:** embora passe apenas água filtrada pela secção UVC do filtro Pressure-Flo, a manga de quartzo (C) pode ficar revestida com calcário, que irá prejudicar o desempenho da lâmpada UV-C (B). É recomendável que verifique e limpe a manga de quartzo (C) regularmente. A frequência da limpeza depende das condições do lago. Para aceder à lâmpada UV-C (B) e à manga de quartzo (C), efectue o seguinte:

1. Desligue a lâmpada UV-C retirando a ficha da unidade da fonte de alimentação principal.
2. Desligue a bomba que abastece o Filtro Pressure-Flo.
3. Desligue todas as mangueiras da unidade libertando os acoplamentos click-fit (empurre o botão de “pressão” e puxe).
4. Retire a cabeça UV-C (A) (Fig. 6) do filtro desapertando os 4 parafusos (J) que apertam a cabeça UV-C à tampa do filtro (G). A cabeça UV-C está equipada com parafusos Anti-Perda. Não necessita de retirar completamente os parafusos. Desaperte-os apenas até a Cabeça UV-C estar desengatada.

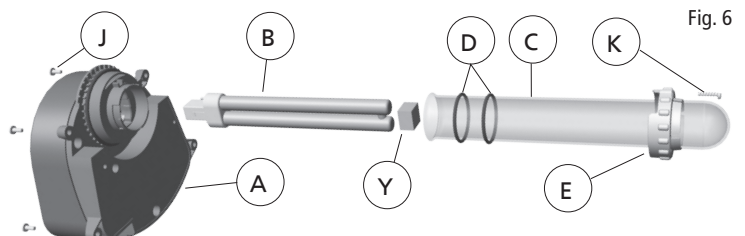


Fig. 6

- Nesta fase, é possível limpar a manga de quartzo (C), se necessário. **Para limpar a manga de quartzo, use um pano macio e húmido para limpar calcário e detritos. Para remover sujidades mais difíceis, pode utilizar vinagre. Não utilize detergentes ou outros produtos químicos para limpeza. Se não for necessário substituir a lâmpada UV-C, avance directamente para o ponto N.º 10.**
- Para aceder à lâmpada UV-C (B), retire a Manga de quartzo (C) desapertando primeiro cerca de 3 voltas, o parafuso de segurança (K) da Flange de retenção (E) que a prende à cabeça UV-C. Em seguida, vire a Flange de retenção aproximadamente 30 graus para a esquerda até o parafuso ficar alinhado com a seta presente na cabeça UV-C e puxe para desengatá-lo do sítio. Importante: a Flange de Retenção está equipada com um parafuso de segurança anti-perda. Não há necessidade de retirar o parafuso completamente. Desaperte o parafuso apenas até a Flange de retenção se soltar permitindo ser rodada e desengatada da sua posição.
- Retire a Manga de quartzo incluindo os O-Rings exercendo um ligeiro movimento rotativo.
- Assim que a Manga de quartzo for retirado, puxe a lâmpada UV-C (B) do suporte da lâmpada (se não for o primeiro arranque) e substitua-a por uma nova. **AVISO - NÃO TENHA OBSERVAR A LÂMPADA QUANDO ESTIVER ACESA!** A exposição directa à luz ultravioleta pode ser prejudicial para os olhos e para a pele. Não teste a lâmpada UV-C sem o filtro estar totalmente montado e fechado. **IMPORTANTE** – Utilize apenas peças sobresselentes originais da Laguna. Consulte a Lista de peças sobresselentes para a identificação correcta do número da peça.

- Coloque a Manga de quartzo (C) e os dois O-rings (D) novamente na respectiva posição original. Recomenda-se lubrificar os O-Rings com um lubrificante adequado. **IMPORTANTE** – O Amortecedor da lâmpada (Y) no interior da manga de quartzo deve ser colocado entre a lâmpada e a parte inferior da manga de quartzo. Não o retire. **IMPORTANTE – Os dois O-rings (D) da manga de quartzo (C) têm de ser substituídos sempre que a unidade for aberta.**

- Coloque a flange de retenção (E) na posição original. Simplesmente alinhe o parafuso com a seta e pressione a flange em direcção à cabeça UV-C e, em seguida, rode a Flange de Retenção aproximadamente 30 graus para a esquerda em direcção ao parafuso de segurança (K). Neste momento aperte a Flange de Retenção com o parafuso de segurança (K) (Fig. 7 - Fig. 8 - Fig. 9).

- Verifique para garantir que a Manga de quartzo (C) não está danificada. Verifique se todos os componentes estão presentes e se foram montados correctamente. Se tiver dúvidas, consulte o seu representante da Laguna.
- Coloque novamente a cabeça UV-C (A) na tampa do filtro (G), certificando-se de que o O-ring interior (F) está devidamente colocado antes de fixar a cabeça UV-C com os parafusos (J).

- Fixe a cabeça UV-C (A) à tampa do filtro colocando novamente os 4 parafusos anti-perda na Cabeça UV-C (J). **AVISO – Risco de electrocussão: Antes de ligar a lâmpada, certifique-se de que TODOS os O-Rings estão novamente na posição original, TODOS os parafusos estão apertados e a unidade não sofreu danos. Antes de ligar a unidade à fonte de alimentação, efectue o Teste de humidade do filtro (consulte abaixo).**

- O filtro está agora pronto para ser colocado em funcionamento. **Leia e siga todas as instruções em Arranque, funcionamento e limpeza de lavagem em contra-corrente do filtro.**

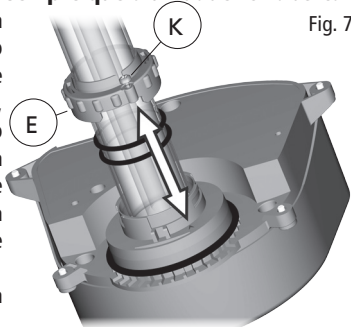


Fig. 7

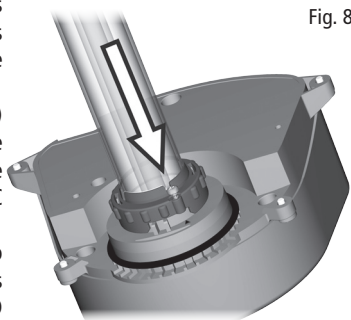


Fig. 8

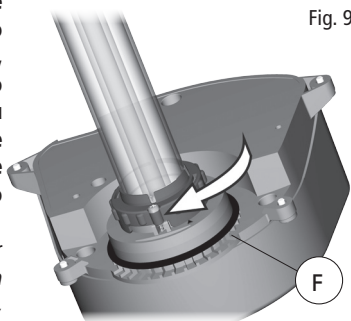


Fig. 9

## ARMAZENAMENTO NO INVERNO

A unidade deve estar protegida do gelo. Nos Invernos frios, a unidade poderá ser desligada. A água deve ser drenada da unidade para depois retirá-la da instalação e colocá-la num local seco e abrigado. Recomenda-se que mantenha a tampa da unidade aberta durante o armazenamento.

## Teste de Humidade do Filtro

Quando a unidade estiver totalmente montada, deve ser testada quanto à humidade

antes de ligá-la à fonte de alimentação. Este teste deve ser repetido sempre que a lâmpada e a manga de quartzo forem substituídas ou desmontadas.

- Instale o filtro e ligue-o à bomba, de acordo com todas as instruções de instalação. NÃO ligue o filtro. Ligue apenas a bomba e deixe-a a trabalhar durante 24 horas.
- Após 24 horas, desligue a bomba e retire a cabeça UV-C (A) do filtro desapertando os 4 parafusos (J). Não desmonte mais peças.
- Inspeccione o interior da manga de quartzo (C) quanto a fugas. Se existir água no interior da manga de quartzo e em redor da lâmpada, NÃO ligue a unidade à fonte de alimentação e leve-a a um representante da Laguna autorizado ou contacte o Apoio ao Cliente da Laguna.

Se, pelo contrário, não existir água visível no interior da manga de quartzo (C), monte cuidadosamente a unidade e utilize-a normalmente de acordo com este Guia de instalação e manutenção.

Peças Sobresselentes UVC - 230-240 V 50 Hz					
		PT1715 PF 3000 L	PT1716 PF 6000 L	PT1717 PF 10000 L	PT1718 PF 14000 L
Lâmpada UV-C + 2 O-rings	B	PT1601	PT1601	PT1602	PT1603
Manga de quartzo + 2 O-rings	C D	PT1605	PT1605	PT1606	PT1607

Peças Sobresselentes UVC – 120 V 60 Hz					
		PT1725 PF 1000 US GAL	PT1726 PF 2000 US GAL	PT1727 PF 3000 US GAL	PT1728 PF 4000 US GAL
Lâmpada UV-C + 2 O-rings	B	PT1701	PT1701	PT1603	PT1703
Manga de quartzo + 2 O-rings	C D	PT1704	PT1704	PT1607	PT1706

Peças Sobresselentes Universais (Consulte as ilustrações do produto)					
		Pressure Flo 1000/3000	Pressure Flo 2000/6000	Pressure Flo 3000/10000	Pressure Flo 4000/14000
O-rings da manga de quartzo (2 peças)	D	PT1707	PT1707	PT1708	PT1708
Flange da manga de quartzo	E	PT1711	PT1711	PT1712	PT1712
O-ring da cabeça UV-C	F	PT1530	PT1530	PT1530	PT1530
Click-fit universal	H	PT640	PT640	PT640	PT640
Tampão de vedação Click-fit	I	PT1543	PT1543	PT1543	PT1543
Folhas de limpeza de espuma (2 peças)	L	PT1513	PT1513	PT1514	PT1514
Filtros de Espuma	M	PT1735	PT1736	PT1737	PT1738
O-Ring de vedação da tampa	P	PT1535	PT1535	PT1536	PT1536
O-Rings de borracha	aa	PT743	PT743	PT743	PT743

\*Consulte as ilustrações do produto

## GARANTIA

**Para registar a sua garantia ou para mais informações, visite [www.hagen.com](http://www.hagen.com).** Este produto possui uma garantia que cobre os defeitos de material ou mão-de-obra durante três (3) anos a partir da data de compra. Esta garantia é válida apenas nas condições normais de funcionamento para que o produto foi concebido. Esta garantia não se aplica a qualquer unidade que tenha sido submetida a utilizações impróprias, negligência, adulteração, danos acidentais ou danos provocados por um embalamento defeituoso ou manuseamento indevido durante o transporte. Esta garantia não cobre o desgaste normal das peças e não se aplica a qualquer unidade que tenha sido utilizada para efeitos comerciais. A lâmpara UV-C não está coberta pela garantia. Não nos responsabilizamos por perdas ou danos a animais ou propriedade pessoal, independentemente da causa. Esta garantia não afecta os seus direitos estatutários. Esta garantia não cobre os danos ou defeitos provocados ou resultantes da expedição, reparação, manutenção ou alteração do produto ou de qualquer uma das suas peças se estas acções tiverem sido efectuadas por alguém não autorizado pela Rolf C. Hagen Inc.

## RECICLAGEM

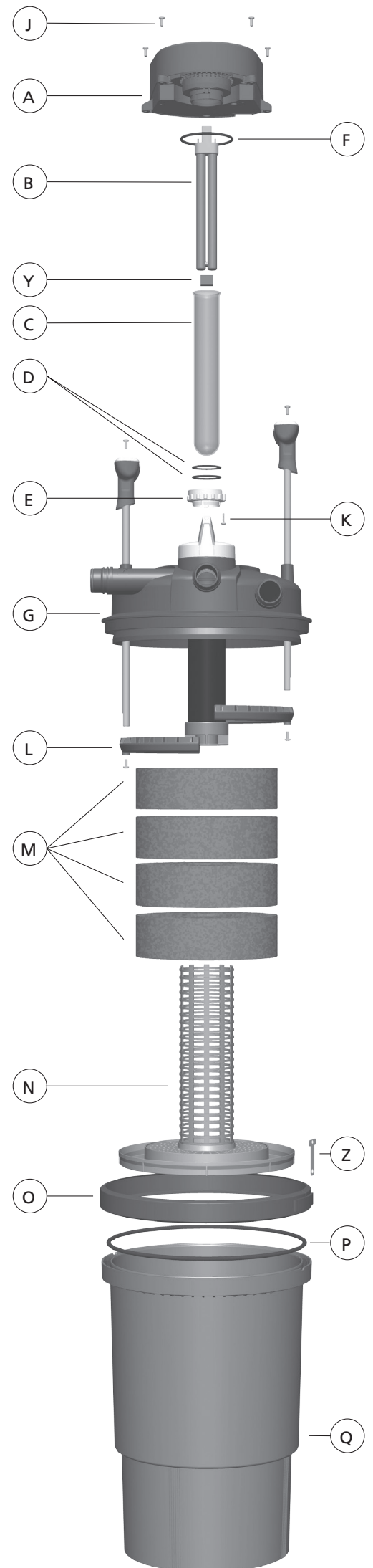
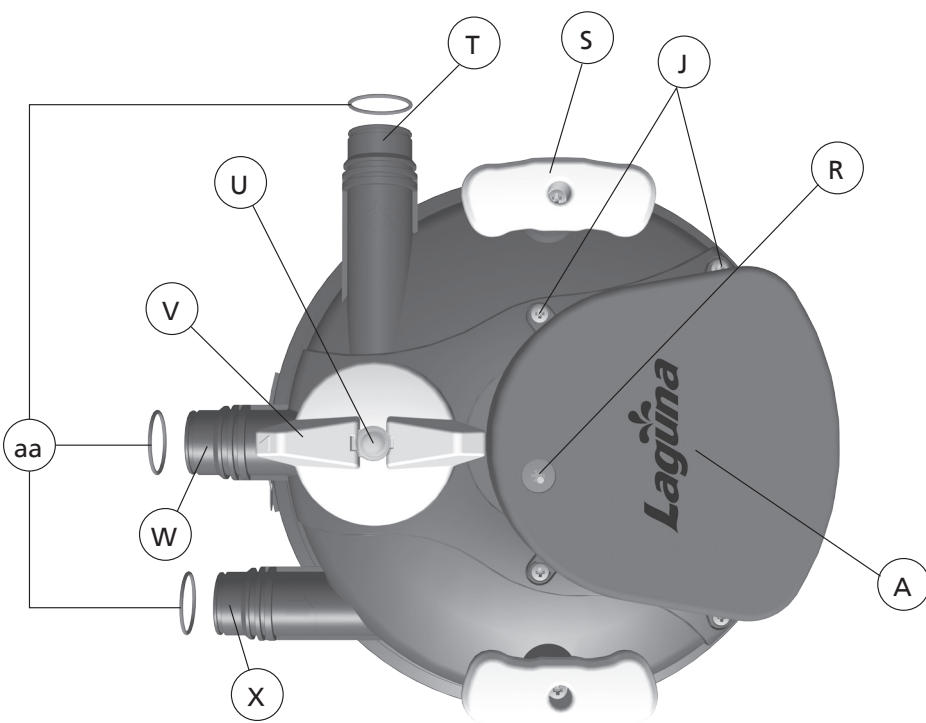
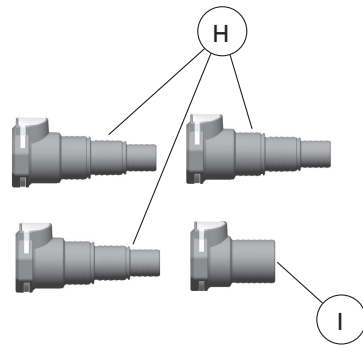
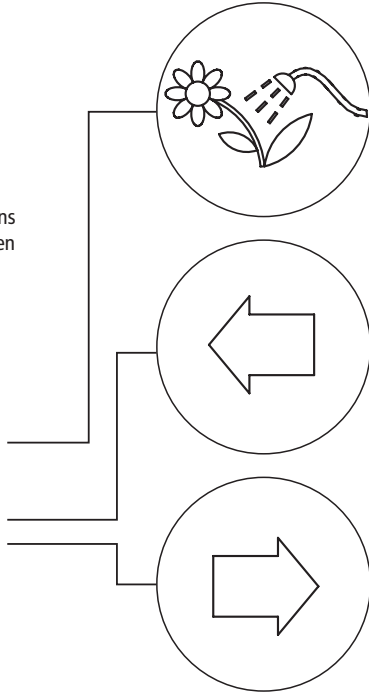
Este símbolo significa uma triagem selectiva de resíduos de equipamentos eléctricos e electrónicos (REEE). Isto significa que este produto deve ser tratado de acordo com a Directiva Europeia 2002/96/CE para ser reciclado ou desmantelado para minimizar o seu impacto ambiental. Para mais informações, contacte as autoridades locais ou regionais. Os produtos electrónicos não incluídos no processo de triagem selectiva são potencialmente perigosos para o ambiente e para a saúde devido à presença de substâncias perigosas.



# Nederlandse instructies

Raadpleeg deze illustraties bij het lezen van de handleiding.

- A UV-C-kop
- B UV-C-lamp
- C Kwartsbuis
- D O-ringen
- E Opsluitflens
- F O-ring UV-C-kop
- G Filterdeksel
- H Universele Click-Fit
- I Click-Fit afsluitdop
- J Kopschroeven
- K Schroeven kwartsbuisflens
- L Schuimreinigingsschoepen
- M Schuimfilters
- N Steunkader van schuim
- O Dekselklem
- P O-ring filterdeksel
- Q Filterkast
- R Lampindicator
- S Reinigingshendels
- T Afvoerkanaal
- U Reinigingsindicator
- V Keuzeschakelaar
- W Wateruitlaat
- X Waterinlaat
- Y Lampdemper
- Z Veiligheidsslot
- aa Rubber O-ringen



## VIJVERFILTER MET INGEBOUWDE UVC-EENHEID

Enkel te gebruiken in zoet water; lees deze instructies aandachtig vóór de installatie en het gebruik

### BELANGRIJKE VEILIGHEIDSVORSCHRIFTEN

**WAARSCHUWING: om verwondingen te vermijden, dient u de volgende veiligheidsvoorschriften in acht te nemen:**

1. LEES EN VOLG ALLE VEILIGHEIDSIINSTRUCTIES en alle belangrijke waarschuwingen over het gebruik en onderhoud van dit toestel. Als u zich daar niet aan houdt, kan het toestel beschadigd worden of kunt u zelf verwondingen oplopen.
- GEVAAR – Om mogelijke elektrische schokken te vermijden, dient u speciale voorzorgen te nemen, aangezien u bij het gebruik van de vijveruitrusting in contact komt met water. In elk van de volgende situaties mag u zelf niet overgaan tot de herstelling, maar dient u het toestel terug te zenden naar de winkel waar u het kocht als de garantieperiode nog loopt:
  - Dit product is weerbestendig, maar NIET onderdompelbaar. Dompel het product niet in water! Als het toestel in het water valt, grijp er dan NIET naar! Trek eerst de stekker uit en haal het dan uit het water.
2. Controleer vóór de installatie van de eenheid of de kwartsbuis en de UV-C-lamp niet beschadigd werden tijdens het vervoer. De UV-lamp (B) en de kwartsbuis (C) zijn immers gemaakt van glas. Ga er voorzichtig mee om. Raak de UV-lamp niet aan met blote handen, want hierdoor vermindert de doeltreffendheid ervan.
  - Als het toestel tekenen van abnormale waterlekage vertoont, of als de verliesstroomschakelaar (of aardlekschakelaar) afspringt, dient u de voedingskabel uit het stopcontact te trekken.
  - Controleer het toestel zorgvuldig na de installatie. Het mag niet worden ingeschakeld als er water te zien is op delen die niet nat mogen zijn. Als elektrische onderdelen van het toestel nat zijn, trek dan de stekker onmiddellijk uit.
  - Gebruik geen enkel toestel wanneer de kabel of stekker beschadigd is, als het slecht werkt of op eender welke manier gevallen of beschadigd is. Dit toestel heeft een speciale voedingskabel; als die beschadigd is, moet hij vervangen worden door een erkende Laguna-onderhoudsdienst of iemand met soortgelijke kwalificaties, om elk risico te vermijden. Snij nooit in de kabel.
3. WAARSCHUWING – Dit toestel bevat een UV-C-straler. Directe blootstelling aan UV-C kan schadelijk zijn voor de ogen en de huid. Gebruik de UV-C-straler niet wanneer hij van het toestel wordt afgezonderd.
4. WAARSCHUWING – Dit toestel kan worden gebruikt door kinderen van 8 jaar en ouder en door personen met verminderde fysieke, zintuiglijke of mentale capaciteiten of onvoldoende ervaring en kennis, indien zij onder toezicht staan of instructies over het veilige gebruik van het toestel hebben gekregen en de daaraan verbonden gevaren inzien. Kinderen mogen niet met het toestel spelen. Reiniging en onderhoud mogen niet door kinderen gebeuren als zij niet onder toezicht staan.
5. Raak geen bewegende of warme onderdelen aan, om verwondingen te vermijden.
6. LET OP – Schakel altijd alle elektrische toestellen in de vijver uit of trek de stekker uit voor u uw handen in het water steekt, voor het aanbrengen of verwijderen van onderdelen en tijdens de installatie, het onderhoud of de bediening van het toestel. Ruk de kabel nooit los om de stekker uit het stopcontact te trekken. Hou de stekker vast en trek om hem uit het stopcontact te verwijderen. Trek de stekker van een toestel altijd uit het stopcontact wanneer het niet gebruikt wordt.
7. Dit is een filtereenheid met ingebouwde UV-sterilisator voor tuinvijvers van zoetwater. Gebruik dit toestel niet voor andere toepassingen dan waarvoor het bedoeld is. Door onbedoeld gebruik van het toestel of schade aan de behuizing kan er gevaarlijke UV-C-straling vrijkomen. UV-C-straling kan zelfs in kleine dosissen schade toebrengen aan de ogen en de huid.
  - Gebruik dit product niet in zwembaden of andere situaties waar mensen in contact komen met water;
  - Dit product kan worden gebruikt in water met temperaturen van 4°C tot 35°C.

- Gebruik dit product niet in combinatie met ontvlambare of drinkbare vloeistoffen.
  - Het gebruik van accessoires die niet worden aanbevolen of verkocht door de fabrikant van het toestel, kan tot een onveilige situatie leiden en maakt uw garantie ongeldig.
8. Installeer of bewaar het toestel niet op plaatsen waar het wordt blootgesteld aan temperaturen dicht bij 0°C of lager. Trek bij vriesweer de stekker van de filter uit het stopcontact en laat het water uit de filterbus lopen. Zet tijdens de winter het toestel in een beschutte ruimte.
  9. Bescherm het toestel ook tegen direct zonlicht. De materialen zijn goed bestand tegen zonlicht, maar directe stralen kunnen de motor oververhitten en de isolatie sneller doen verslijten.
    - Leg geen voorwerpen op de filter, om oververhitting te vermijden.
    - Dit product mag niet op een plaats staan waar het in het water kan vallen. Installeer het niet op een plaats die kan overstromen of waar water kan samenvloeien. Plaats het op ten minste 1 meter van de rand van de tuinvijver, op een droge, beschutte en goed verluchte plaats. Zorg dat er rondom voldoende ruimte is voor de uitvoering van het onderhoud.
  10. BELANGRIJK – De maximale werkdruk bedraagt 0,04 MPa (0,4 bar of 5,8 PSI). Sluit de filter niet aan op de openbare waterleiding.
  11. Probeer niet om de dekselklem (O) te openen en het deksel op te heffen terwijl het toestel en de filters werken. Op de dekselklem zit een metalen veiligheids slot, om te beletten dat het deksel toevallig geopend wordt.
  12. Als een verlengkabel nodig is, zorg dan dat de verbinding waterdicht en stofbestendig is. De kabel moet een correct vermogen hebben. Een kabel met minder ampère of watt dan het vermogen van het toestel kan oververhit geraken. Zorg dat men niet over de kabel kan vallen of eraan kan trekken. De verbinding moet worden gemaakt door een geschoolde elektricien.
  13. BELANGRIJK – De elektrische aansluiting moet gebeuren in overeenstemming met de gegevens op het energielabel; het toestel mag enkel worden gebruikt als het op een correcte manier werd geïnstalleerd. De elektrische veiligheid is enkel gegarandeerd wanneer het toestel is aangesloten op een aardlekschakelaar met een verliesstroomwaarde van maximaal 30 mA.
  14. WAARSCHUWING – Sluit de filter pas aan op het elektriciteitsnet als hij volledig en correct gemonteerd is. Gebruik het product nooit zonder water. De filter moet tijdens de werking altijd volledig gevuld zijn met water.
  15. WAARSCHUWING – Risico op elektrische schokken. Dit toestel is uitgerust met een 3-draads geaard snoer (3-puntstekker). Deze stekker past enkel in een stopcontact dat gemaakt is voor een 3-puntstekker. Dit is voor de veiligheid. Als de stekker niet in het stopcontact past, neem dan contact op met een elektricien om het stopcontact te vervangen. Probeer niet om de aardpin van de 3-puntstekker kapot te maken die dient als veiligheidsmechanisme. Sluit het toestel enkel aan op een conforme aardlek- of verliesstroomschakelaar met een verliesstroomwaarde van 30mA.
- WAARSCHUWING – Graaf de kabel niet in. Markeer de plaats van de kabel, om schade als gevolg van grasmaaiers, heggenscharen en andere toestellen tot een minimum te beperken. Vaste installaties op de netvoeding (vaste bedrading) moeten voldoen aan de regels van de lokale overheid, die kunnen bepalen dat de kabel moet worden beschermd met een plastic of metalen bus.

## BEWAAR DEZE INSTRUCTIES, ZODAT U ZE ALTIJD KUNT RAADPLEGEN

Filterspecificaties	Pressure Flo 1000/3000	Pressure Flo 2000/6000	Pressure Flo 3000/10000	Pressure Flo 4000/14000
Grootte eenheid (diameter x hoogte)	ø28,5 cm - 35 cm H ø11,2" - 13,7" H	ø28,5 cm - 51 cm H ø11,2" - 20" H	ø36,5 cm - 52,5 cm H ø14,3" - 20,6" H	ø36,5 cm - 64 cm H ø14,3" - 25,2" H
Hoogte filterbus	23 cm (9")	38,5 cm (15,2")	40 cm (15,7")	50 cm (19,7")
Volume filterbus	10 l (2,6 U.S. gal)	17,5 l (4,6 U.S. gal)	31 l (8,2 U.S. gal)	40 l (10,6 U.S. gal)
Hoeveelheid schuim	3	4	5	5
Bio-Lava/Bio-Rock	-	1600 g	3200 g	4800 g
Grootte slangaansluiting	¾", 1", 1 ¼" (1 ¼" binnen)			
UV-C-lamp	120 V - 60 Hz	13 W	24 W	36 W
	230-240 V - 50 Hz	11W	18 W	24 W
Aanbevolen Laguna Max-Flo pomp <sup>1</sup>	PT8232	PT8236	PT8244	PT8248
Aanbevolen totale slanglengte <sup>2</sup>	4 m - 13 ft		6 m - 19 ft	8 m - 26 ft
Minimale slangdiameter om tot bovenstaande prestaties te komen	1-¼"			
Aanbevolen max. watervalhoogte om tot bovenstaande prestaties te komen	60 cm - 24"		100 cm - 39"	

De filter moet tijdens de warme zomermaanden vaker onderhouden worden.

<sup>1</sup> Indien de toepassing een hogere waterval vergt dan het aangegeven maximum, kies dan een grotere pomp.

<sup>2</sup> Totale lengte uitlaat + inlaat. Enkel ter informatie. Het einddebiet hangt af van veel factoren, zoals de lengte en de diameter van de slang, knikken of bochten in de slang, en de hoogte van de watervallen.

## INHOUD

Controleer vooraf of de volgende elementen in de doos zitten:

- Pressure-Flo filter
- UV-C-lamp, geïnstalleerd
- 3 schuimfilters (PF 1000/PF 3000), 4 schuimfilters (PF 2000/PF 6000 & PF 3000/PF 10000, 5 schuimfilters (PF 4000/PF 14000)
- Biologische media (behalve Pressure-Flo 1000/3000 UVC)
- 1 O-ring voor dekseldichting (P), geleverd in een aparte polyzak
- 3 Click-fit koppelingen (H) voor slangen met diameter 19, 25 en 32 mm (3/4", 1" en 1-1/4")
- 1 Click-fit afsluitdop (I)
- Handleiding
- Veiligheidsslot (Z)
- 3 rubber O-ringen (aa)

## TOEPASSING

De Pressure-Flo filter is een afgedichte drukfilter met een ingebouwde UV-C-sterilisator die wordt gebruikt voor mechanische en biologische filtratie in siervijvers van zoetwater dat een temperatuur heeft van +4°C tot 35°C (+39,2° tot 95° F), met of zonder vissen. Het doel van de mechanische filtratie is het opvangen en verzamelen van klein puin en afvalmateriaal dat uit de vijver komt. De biologische filtratie heeft als doel toxische nevenproducten van de stofwisseling van de vissen en ander organisch afval om te zetten in stoffen die veel minder schadelijk zijn. Het doel van de UV-C-filtratie is het afremmen van de groei van eencellige algen.

## HOE PRESSURE-FLO FILTERS WERKEN

Pressure-Flo filters voeren drie belangrijke filtratieprocessen uit die essentieel zijn om het vijverwater helder en gezond te houden: mechanische en biologische filtratie, en UVC-sterilisatie. De filters werken normaal samen met een pomp voor de verwerking van vaste deeltjes. De beste resultaten bekomt u met een Laguna Max-Flo circulatiepomp. Als de filter is aangesloten op de uitlaat van een pomp, vloeit er water in de eenheid via de waterinlaat (X). Het ondergaat dan een mechanische filtratie, wat betekent dat schuimfilters vuil en klein puin onderscheppen en vasthouden. Het water stroomt vervolgens naar de kamer voor biologische filtratie\* waar het in contact komt met heilzame bacteriën. Ten slotte bereikt het propere water de UV-C-lamp (B), waar het wordt blootgesteld aan ultravioletstralen die algengroei afremmen. Het water vloeit ten slotte terug naar de vijver via de uitlaat (W).

\*Pressure-Flo 1000/3000 UVC is niet uitgerust met de kamer voor biologische filtratie.

## TERUGLOOP-REINIGINGSSYSTEEM

Tijdens de werking blijft grof puin op het oppervlak van de schuimfilters liggen. Daardoor zal de buitenkant van de filters vroeg of laat verstopt raken en de filtratie hinderen, omdat er minder water doorstroomt. Dat verminderde debiet heeft dan weer tot gevolg dat zowel de biologische als de UV-C-filtratie minder effect heeft. Dit kan eenvoudig worden vastgesteld dankzij de reinigingsindicator (U). Pressure-Flo filters hebben een uniek terugloop-reinigingssysteem dat het hele oppervlak van de mechanische schuimfilters volledig schoonmaakt. De complete reiniging duurt slechts een paar minuten, zonder dat de eenheid hoeft te worden geopend. Ze zorgt ervoor dat de filter dagenlang optimaal blijft werken. Hoewel het terugloop-reinigingssysteem de frequentie van het onderhoud verlaagt, is het toch geregeld nodig om de eenheid grondig te reinigen. Hierover leest u meer in het hoofdstuk Reiniging en onderhoud van de Pressure-Flo filter.

## REINIGINGSINDICATOR

Deze eenheid is voorzien van een reinigingsindicator (U), die u meldt wanneer het terugloop-systeem in werking moet treden of de filter moet worden schoongemaakt. De hoogte van de rode indicator komt zowat overeen met de verstoppingsgraad van de filter. Wanneer de rode indicator laag staat, is de filter proper. Wanneer de rode indicator op zijn hoogste punt staat, moet de filter gereinigd worden. De reinigingsindicator kan worden beïnvloed door tal van variabelen, zoals de hoogte van de waterval en de pompstaties. De werkingseigenschappen ervan zijn ingesteld op basis van specifieke omstandigheden die u terugvindt in de tabel (kiezen van de juiste Pressure-Flo en max-Flo pomp voor uw vijver). Als de omstandigheden verschillen, kan dit ook verschillende resultaten opleveren.

## KIEZEN VAN DE JUISTE PRESSURE-FLO EN MAX-FLO POMP VOOR UW VIJVER

Kies aan de hand van de tabel op pagina 27 de juiste combinatie van een Laguna Max-Flo pomp en Pressure-Flo filter, afhankelijk van de grootte en de toestand van uw vijver. Wegens het grote aantal variabelen vormen de volgende aanbevelingen niet meer dan een algemene leidraad.

## INSTALLATIE

### Plaats van de filter

Kies een geschikte plaats voor uw Pressure-Flo filter en hou daarbij rekening met de volgende tips:

- Plaats de Pressure-Flo filter op een stevige en vlakke sokkel, waar hij beschermd is tegen overstroming en genoeg verlucht wordt. Bescherm het toestel tegen direct zonlicht.
- Plaats hem boven de grond, of graaf hem in met de dekselklem (O) ten minste 5 cm boven de grond.
- Dek de filter niet af, zodat hij niet oververhit geraakt.
- Plaats de filter ten minste 1 meter van de vijverrand en zorg dat hij zeker niet in het water kan vallen.
- Zorg dat u altijd aan het deksel kunt voor het onderhoud.
- Laat de filter niet werken met een waterdruk boven 0,4 bar of 5,8 PSI druk. Sluit de filter nooit aan op de openbare waterleiding.
- Richt de filter zo dat de waterinlaat (X), de wateruitlaat (W) en het afvoerkanaal (T) in de

gewenste richtingen wijzen, om scherpe bochten in de slang te vermijden.

## Slangverbindingen

Op de Pressure-Flo filter moeten 3 (niet meegeleverde) slangen worden aangesloten: een voor de inlaat van de eenheid (vanaf de vijverpomp), een voor de uitlaat die gefilterd water naar de vijver brengt, en een die tijdens het onderhoud vuil water van de filter afvoert naar een plaats buiten de vijver. Zorg bij het selecteren en aansluiten van de slangen voor een maximaal potentieel debiet, door zo kort mogelijke slangen met de grootst mogelijke diameter te kiezen, zonder knikken en scherpe bochten. Pressure-Flo filters zijn uitgerust met 3 universele click-fit koppelingen (H), waardoor de slangen snel en eenvoudig kunnen worden aan- en losgekoppeld. Sluit de slangen aan op de click-fit koppelingen en maak ze vast met een geschikte klem (niet meegeleverd).

**BELANGRIJK – Universele click-fit koppelingen (H) maken het mogelijk om slangen van verschillende diameter aan te sluiten, maar het is belangrijk om de niet gebruikte kleinere slangeinden af te snijden, zodat de stroming niet gehinderd wordt.**

Wanneer de slangen stevig zijn aangesloten op de click-fit koppelingen, kunt u ze van de eenheid loskoppelen door gewoon op de knop van de koppeling te drukken en vervolgens te trekken. Om click-fit koppelingen op de eenheid aan te sluiten, plaatst u ze op de verbindingstukken die zich op het deksel van de eenheid bevinden, en zorgt u ervoor dat de knop van de koppeling helemaal naar boven komt.

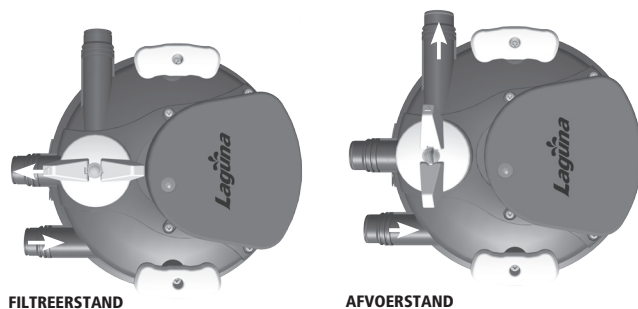
**Waterinlaat (X):** dit is de plaats waar het vijverwater in de Pressure-Flo filter vloeit. Sluit gewoon de uitlaat van een Laguna Max-Flo pomp voor de behandeling van vaste deeltjes aan op de Pressure-Flo inlaat (X) door middel van slangen zonder knikken. De pomp laat vuil water van de vijver naar de Pressure-Flo filter stromen.

**Wateruitlaat (W):** de wateruitlaat brengt het gefilterde water terug naar de vijver wanneer de filter in de filtreerstand werkt. De slang die is aangesloten op de wateruitlaat (W), kan rechtstreeks in de vijver worden gelegd of er kan een waterloop of waterval mee worden gemaakt. Deze uitlaat treedt in werking wanneer de keuzeschakelaar (V) naar de wateruitlaat (W) wijst (filtreerstand). Het einde van de uitlaatslang moet zo ver mogelijk verwijderd zijn van de inlaat van de pomp, zodat het water in de vijver maximaal kan circuleren.

**Afvoerkanaal (T):** dit is de plaats waar het vuile water de filter verlaat bij het gebruik van het terugloop-reinigingssysteem. Sluit een slang aan op het afvoerkanaal, zodat het vuile water uit de filter en in uw tuin kan vloeien (zie Tip hieronder). Deze uitlaat treedt in werking wanneer de keuzeschakelaar (V) naar het afvoerkanaal (T) wijst (afvoerstand).

**BELANGRIJK – Sluit het afvoerkanaal (T) tijdens de normale werking in de "Filtreerstand", door middel van de Click-fit afsluitdop (I).**

**Tip: vuil water uit de vijver is rijk aan voedingsstoffen, chloorvrij en dus bijzonder geschikt voor het besproeien van de tuin.**



## STARTEN VAN DE FILTER, BEDIENING EN TERUGLOOP-REINIGING

**BELANGRIJK! – Controleer altijd de volgende zaken alvorens de filter te starten:**

- Voordat u de filter voor het eerst start, moet u de O-ring (P) van het deksel aanbrengen, die in een aparte polyzak zit. Deze O-ring moet op de juiste manier worden ingebracht in de zitting bovenaan de filterbus (Fig. 1).
- Bij deze filter hoort de reeds geïnstalleerde UVC-lamp. Alvorens de filter op het stroomnet aan te sluiten, moet de natte filtertest worden uitgevoerd. Hierover leest u alles in het hoofdstuk "Vervanging van de UV-C-lamp en reiniging van de kwartsbuis".
- De biologische media moeten worden aangebracht in de filterkast zoals getoond op de afbeelding (behalve Pressure-Flo 1000/3000 UV-C) (Fig. 2).

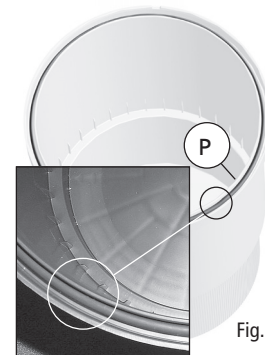


Fig. 1

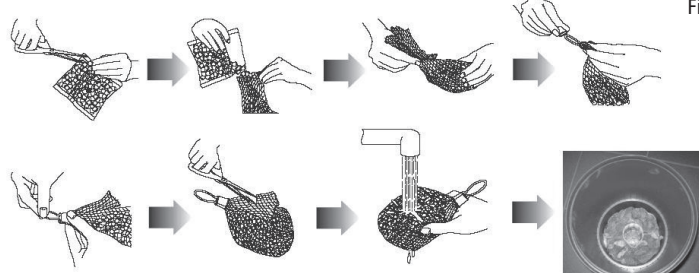
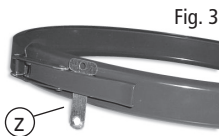


Fig. 2

- Zorg dat het deksel (G) stevig gesloten is met de klem (O) en de correct aangebrachte O-ring. **BELANGRIJK:** Alvorens de klem (O) aan te brengen, moet het deksel (G) worden neergedrukt tot er geen opening meer is tussen deksel en filterkast. De klem moet worden vergrendeld, waarbij het metalen veiligheidsslot (Z) correct in de gleuf moet zijn gebracht. **WAARSCHUWING:** Zorg dat tijdens het vergrendelen van de dekselklem uw vingers of het netsnoer niet gekneld raken. Er kan een (niet meegeleverd) hangslot worden aangebracht in het onderste gat van het veiligheidsslot (Z) om het vast te maken.



- De keuzeschakelaar (V) moet in de "Filterstand" worden gezet, waarbij hij naar de wateruitlaat (W) wijst. **De keuzeschakelaar (V) moet 90° worden gedraaid en mag niet op tussenstanden worden gezet.**

- Zorg dat alle slangen stevig zijn aangesloten op de eenheid en in hun eindpositie zijn gelegd. Zorg dat het buitenste deel van alle Click-Fit koppelingen is uitgerust met de rubber O-ring (aa).

**Sluit het afvoerkanaal (T) tijdens de normale werking in de "Filterstand", door middel van de Click-fit afsluitdop (I). Zorg er altijd voor dat de Click-fit afsluitdop stevig op zijn plaats zit (drukknop helemaal naar boven).**

**LET OP – Laat de UV-C-lamp (B) niet werken zonder dat er water door de eenheid stroomt.**

**Ga na de bovenstaande controles als volgt te werk:**

1. Zet de pomp aan en laat de filter een paar minuten werken, om te kijken of er geen waterlekken zijn.
2. Als alles OK is en het water regelmatig door de eenheid vloeit, sluit dan de Pressure-Flo UV-C lamp aan op het stroomnet. Op de lampindicator (R) begint een blauw lichtje te branden wanneer de UV-C-lamp werkt; dit is beter te zien in de schemering.

Laat de filter de klok rond en idealiter het hele jaar door werken, op voorwaarde dat het niet vriest en dat het water vrij door de eenheid kan stromen.

## TERUGLOOP-REINIGINGSSYSTEEM

Wanneer het schuimoppervlak verstopt raakt, zorgt het terugloop-reinigingssysteem ervoor dat de normale filterwerking snel en doeltreffend hersteld wordt, zonder dat u de eenheid hoeft te openen. De reiniging moet zeker wekelijks gebeuren, of telkens als de reinigingsindicator (U) vaststelt dat de filter verstopt of vuil is of wanneer er troebel water uit de filter komt. Als de vijver heel vuil is en tijdens de eerste weken waarin u de eenheid gebruikt, zal de filter misschien vaker gereinigd moeten worden. Ga als volgt te werk:

1. Ontkoppel de vijverpomp van het elektriciteitsnet.
2. Haal de Click-Fit afsluitdop van het afvoerkanaal (T). LET OP: er zal een klein beetje water uitkomen.
3. Sluit een afvoerslang aan op het afvoerkanaal (T) en zorg dat die desgewenst het vuile water afvoert.
4. Zet de keuzeschakelaar (V) in de afvoerstand (de schakelaar moet naar het afvoerkanaal (T) wijzen). Er zal misschien nog een klein beetje water uit de wateruitlaat (W) komen. Dit is normaal. Dit kunt u vermijden door de universele Click-Fit van de wateruitlaat te halen en de Click-Fit van de afsluitdop aan te sluiten.
5. Sluit de vijverpomp aan op het elektriciteitsnet.
6. Beweeg beide reinigingshendels (S) op en neer. Door deze beweging zullen de reinigingschoepen tegen het oppervlak van de schuimfilters schuren, klein puin loswrikken en suspenderen in de buitenkamer van de filter, waar het water met het gesuspenderde puin de filter verlaat langs het afvoerkanaal (T). Doe dit een aantal minuten, tot u helder water uit de afvoerslang ziet komen.
7. LET OP – Het reinigingssysteem gebruikt vijverwater. Hiermee moet rekening worden gehouden bij het gebruik van de reinigingsfunctie. Vul achteraf de vijver terug bij tot het gewenste waterpeil.
8. Ontkoppel de vijverpomp van het elektriciteitsnet.
9. Zet de keuzeschakelaar (V) in de filterstand (de schakelaar moet naar de wateruitlaat (W) wijzen). De filter werkt nu op de normale manier. Het is ook volkomen normaal dat er nog een paar seconden wat groen water uit de uitlaat stroomt.
10. Dicht het afvoerkanaal (T) met de Click-fit afsluitdop (I). Zorg dat die stevig op zijn plaats zit (drukknop helemaal naar boven). Als de filter aan het einde nog altijd verstopt is, kijk dan op de reinigingsindicator om te weten of hij proper en niet verstopt is (hierover leest u meer in Reiniging van schuim en biologische media, punt 11). Als de reinigingsindicator nog altijd aangeeft dat de filter verstopt is, reinig dan schuim en biologische media zoals hierna wordt uitgelegd.
11. Sluit de vijverpomp aan op het elektriciteitsnet.

Als de filter aan het einde nog altijd verstopt is, reinig dan schuim en biologische media zoals hierna wordt uitgelegd.

## REINIGING EN ONDERHOUD VAN DE PRESSURE-FLO FILTER

### WAARSCHUWINGEN:

- Probeer niet om de dekselklem (O) te openen en het deksel op te heffen wanneer de pomp en de filter aan het werken zijn. Op de dekselklem zit een metalen veiligheidsslot, om te beletten dat het deksel toevallig geopend wordt.
- **PROBEER NIET OM NAAR DE LAMP TE KIJKEN TERWIJL ZE BRANDT!** Door de

directe blootstelling aan het UV-licht kunnen uw ogen en huid beschadigd worden.

- De UV-C-lamp (B) en de kwartsbuis (C) zijn van glas. Behandel alle onderdelen voorzichtig.
- Zorg dat de elektrische onderdelen binnen in het toestel droog zijn voor, tijdens en na het onderhoud.
- De keuzeschakelaar (V) leidt het water gewoon om, maar houdt het niet tegen.

## Reiniging van schuim en biologische media

Wanneer het terugloop-reinigingssysteem niet de verwachte resultaten oplevert, of ten minste één keer in een seizoen kan het nodig zijn om de schuimfilters (M) grondig te wassen of te vervangen. Tijdens de warme zomermaanden zal de reiniging vaker moeten gebeuren. Tijdens deze reiniging kunnen ook de biologische media worden schoongemaakt en/of vervangen (behalve Pressure-Flo 1000/3000 UVC).

1. Schakel de UV-C-lamp (B) uit door de stekker van de eenheid uit te trekken.
2. Zet de pomp af die water naar de Pressure-Flo filter voert.
3. Ontkoppel alle slangen van de eenheid door de Click-Fit koppelingen los te maken (druk op de knop en trek).
4. Beweeg de reinigingshendels (S) langzaam omhoog tot ze maximaal boven de filter uitsteken.
5. Verwijder het veiligheidsslot van de metalen dekselklem (O). Ontgrendel de klem.
6. Verwijder het deksel (G) door de reinigingshendels vast te nemen of door met een geschikte platkop-schroevendraaier zachtjes in de zijgleuven te wrikken. LET OP: forceer de geleistangen opzij niet, want zo kan de eenheid schade oplopen.

LET OP – Het deksel herbergt de UV-C-eenheid met de lamp en de kwartsbuis, die van glas zijn. **BEHANDEL ALLE ONDERDELEN VOORZICHTIG!**

7. U kunt nu aan de schuimfilters (M). Verwijder ze allemaal tegelijk door het binnenste steunkader van schuim (N) vast te nemen en op te heffen.
8. Maak de schuimfilters (M) los van het steunkader (N) en spoel ze met vijverwater of vervang ze als dat nodig blijkt.
9. Spoel de biologische media in het onderste gedeelte van de filterkast (Q) met vijverwater of vervang ze als dat nodig blijkt. Pressure-Flo 1000/3000 UVC heeft geen kamer van biologische media.
10. Reinig de filterkast (Q) met water, vooral rond de bovenrand waar zich de O-ring (P) voor de afdichting van het deksel bevindt.
11. Maak zo nodig de reinigingsindicator (U) schoon nadat u die als volgt gedemonteerd heeft (de keuzeschakelaar (V) moet in de filterstand staan): 1) verwijder de opsluitflens door ze naar links te draaien, 2) verwijder de indicator en zijn veer. Spoel alle onderdelen in water en steek ze voorzichtig terug ineen. (Fig. 4 - Fig. 5).
12. Controleer en reinig de twee reinigingschoepen (L) en de geleistangen. Vervang zo nodig de schoepen door nieuwe. Elke schoep kan eenvoudig van de geleistang worden losgemaakt door de schroef in het midden los te draaien.
13. Breng de schuimfilters en de biologische filtermedia terug op hun oorspronkelijke plaats. Zorg dat de schuimfilters goed open zijn gestapeld, zonder dat er plaats tussen is.
14. Steek de eenheid voorzichtig terug ineen. Zorg dat de biologische filtermedia niet botsen met het steunkader van schuim (N) en dat het kader correct hersteld wordt.

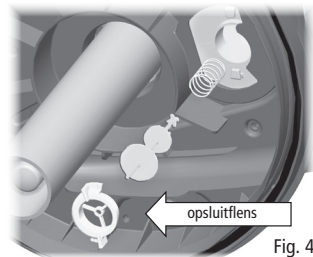


Fig. 4

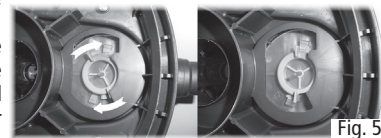


Fig. 5

15. De filter kan nu worden gestart. Lees en volg alle richtlijnen in Starten van de filter, bediening en terugloop-reiniging.

Gebruik NOOIT zeep of detergents voor de reiniging. Achterblijvende sporen daarvan kunnen de vijver vervuilen en de gevoelige weefsels van de vissen aantasten.

## Vervanging van de UV-C lamp en reiniging van de kwartsbuis

**Vervanging van de UV-C-lamp:** om de UV-C-lamp (B) altijd optimaal te laten werken, moet ze jaarlijks worden vervangen. Dit gebeurt het best in het voorjaar, tijdens het onderhoud van de vijver voor het seizoen.

**Reiniging van de kwartsbuis:** hoewel er alleen maar gefilterd water door het UVC-gedeelte van de Pressure-Flo filter stroomt, kan zich op de kwartsbuis (C) kalk afzetten, waardoor de UV-C-lamp (B) minder goed gaat werken. Het is aanbevolen om de kwartsbuis (C) regelmatig na te kijken en te reinigen. Hoe vaak dat precies moet gebeuren, hangt af van de toestand van de vijver. Om aan de UV-C-lamp (B) en de kwartsbuis (C) te kunnen, gaat u als volgt te werk:

1. Schakel de UV-C-lamp uit door de stekker van de eenheid uit te trekken.
2. Zet de pomp af die water naar de Pressure-Flo filter voert.
3. Ontkoppel alle slangen van de eenheid door de Click-Fit koppelingen los te maken (druk op de "press" knop en trek).
4. Haal de UV-C-kop (A) (Fig. 6) van de filter door het losdraaien van de 4 schroeven (J) waarmee de UV-C-kop vastzit aan het filterdeksel (G). De UV-C-kop is uitgerust met anti-verliesschroeven. U hoeft de schroeven er niet helemaal uit te draaien. Draai ze gewoon los tot de UV-C-kop loskomt.

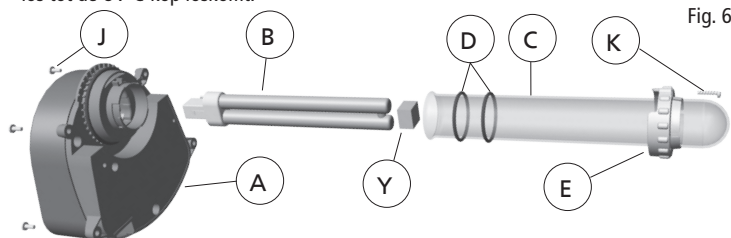


Fig. 6

- In deze fase is het mogelijk om de kwartsbuis (C) te reinigen, als dat nodig blijkt. **Gebruik een vochtige, zachte doek om kalkaanslag en puin weg te vegen. Voor hardnekkig vuil mag wat azijn worden gebruikt. Gebruik geen detergenten of andere chemische schoonmaakmiddelen. Als het niet nodig is om de UV-C-lamp te vervangen, ga dan meteen naar punt #10.**
- Om aan de UV-C-lamp (B) te kunnen, verwijdert u de kwartsbuis (C) door eerst de veiligheidsschroef (K) van de opsluitflens (E) waarmee de buis vastzit aan de UV-C-kop, zo'n 3 slagen los te draaien. Draai vervolgens de opsluitflens zo'n 30° naar links tot de schroef gelijkstaat met de pijl in de UV-C-kop en trek om ze los te maken. Belangrijk: de opsluitflens is uitgerust met één anti-verliesschroef. De schroef hoeft er niet helemaal te worden uitgedraaid. Draai ze gewoon los tot de opsluitflens vrij kan worden gedraaid en losgemaakt.
- Verwijder de kwartsbuis met de O-ringen door ze lichtjes rond te draaien.
- Trek vervolgens de UV-C-lamp (B) uit de lamphouder (als u de filter niet voor het eerst start) en vervang ze door een nieuwe. **WAARSCHUWING - PROBEER NIET OM NAAR DE LAMP TE KIJKEN TERWIJL ZE BRANDT!** Door de directe blootstelling aan het UV-licht kunnen uw ogen en huid beschadigd worden. Test de UV-C-lamp niet tenzij de filter helemaal gemonteerd en gesloten is. **BELANGRIJK** – Gebruik alleen originele Laguna-vervangstukken. Het juiste nummer van elk onderdeel vindt u in de lijst van vervangstukken.

- Breng de kwartsbuis (C) en de twee O-ringen (D) terug aan op hun oorspronkelijke plaats. Het is aanbevolen om de O-ringen met een gepast smeermiddel te smeren. **BELANGRIJK** – De lampdemper (Y) binnen in de kwartsbuis moet zich tussen de lamp en de bodem van de kwartsbuis bevinden. Verwijder hem niet. **BELANGRIJK** – De twee O-ringen (D) van de kwartsbuis (C) moeten worden vervangen telkens als de eenheid wordt geopend.

- Plaats de opsluitflens (E) in haar oorspronkelijke positie. Breng de schroef gewoon gelijk met de pijl en druk de flens naar de UV-C-kop toe, draai vervolgens de opsluitflens ongeveer 30° naar rechts in de richting van de veiligheidsschroef (K). Zet dan de opsluitflens vast door de veiligheidsschroef (K) aan te draaien (Fig. 7 - Fig. 8 - Fig. 9).

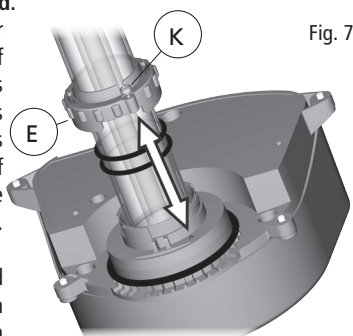


Fig. 7

- Kijk of de kwartsbuis (C) niet beschadigd is. Zorg dat alle onderdelen aanwezig zijn en op de juiste manier terug zijn aangebracht. Wend u tot uw Laguna-verdeler als u twijfelt.

- Plaats de UV-C-kop (A) terug op het filterdeksel (G), en zorg dat de binnenste O-ring (F) juist op zijn plaats zit alvorens de UV-C-kop vast te zetten met de schroeven (J).

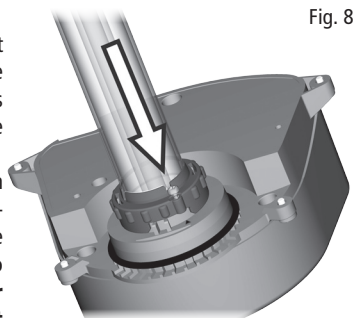


Fig. 8

- Bevestig de UV-C-kop (A) aan het filterdeksel door de 4 anti-verliesschroeven (J) terug aan te brengen. **WAARSCHUWING – Risico op elektrische schok: zorg voor het aansteken van de lamp dat ALLE O-ringen terug op hun oorspronkelijke plaats zitten, dat ALLE schroeven zijn vastgedraaid en dat de eenheid geen enkele schade heeft opgelopen. Voer de natte filtertest uit alvorens de eenheid aan te sluiten op het elektriciteitsnet (zie hierna).**

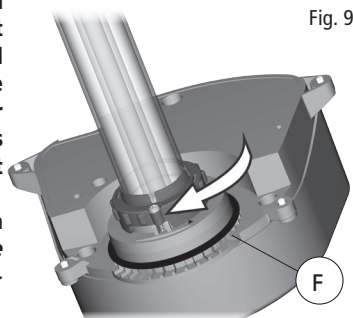


Fig. 9

- De filter kan nu worden gestart. Lees en volg alle richtlijnen in **Starten van de filter, bediening en terugloop-reiniging**.

## KLAARMAKEN VOOR DE WINTER

De eenheid moet worden beschermd tegen de vorst. Bij koud winterweer mag de eenheid worden uitgeschakeld. Ze moet dan worden geledigd, uit haar installatie worden gehaald en opgeslagen in een droge, weerbestendige ruimte. Het is aanbevolen om het deksel van de eenheid open te laten tijdens de opslag.

## NATTE FILTERTEST

Zodra de eenheid helemaal in mekaar steekt, moet ze nat getest worden alvorens ze aan te sluiten op het elektriciteitsnet. Deze test moet worden herhaald telkens als de lamp en de kwartsbuis vervangen of gedemonteerd worden.

- Installeer de filter en sluit hem aan op de pomp volgens de instructies. Schakel de filter NIET in. Zet alleen de pomp aan en laat die 24 uur werken.
- Schakel na 24 uur de pomp uit en haal de UV-C-kop (A) van de filter door de 4 schroeven (J) los te draaien. Demonteer niet meer onderdelen.
- Controleer de kwartsbuis (C) binnenin op lekken. Als u water in de buis en rond

de lamp ziet, sluit de eenheid dan NIET aan op het elektriciteitsnet, maar laat ze nakijken door een erkende Laguna-vestiging of neem contact op met de Laguna-klantendienst.

Als echter geen water te zien is in de kwartsbuis (C), steek dan de eenheid voorzichtig terug in mekaar en gebruik ze op de normale manier volgens de richtlijnen in deze Installatie- en onderhoudshandleiding.

UVC vervangstukken - 230-240V 50Hz					
		PT1715 PF 3000L	PT1716 PF 6000L	PT1717 PF 10000L	PT1718 PF 14000L
UV-C-lamp + 2 stuks O-ringen	B	PT1601	PT1601	PT1602	PT1603
Kwartsbuis + 2 stuks O-ringen	C D	PT1605	PT1605	PT1606	PT1607

UVC vervangstukken - 120V 60Hz					
		PT1725 PF 1000 US GAL	PT1726 PF 2000 US GAL	PT1727 PF 3000 US GAL	PT1728 PF 4000 US GAL
UV-C-lamp + 2 stuks O-ringen	B	PT1701	PT1701	PT1603	PT1703
Kwartsbuis + 2 stuks O-ringen	C D	PT1704	PT1704	PT1607	PT1706

Universele vervangstukken (zie productillustraties)					
		Pressure Flo 1000/3000	Pressure Flo 2000/6000	Pressure Flo 3000/10000	Pressure Flo 4000/14000
O-ringen kwartsbuis (2 stuks)	D	PT1707	PT1707	PT1708	PT1708
Flens kwartsbuis	E	PT1711	PT1711	PT1712	PT1712
O-ring UV-C-kop	F	PT1530	PT1530	PT1530	PT1530
Universele Click-Fit	H	PT640	PT640	PT640	PT640
Click-Fit afsluitdop	I	PT1543	PT1543	PT1543	PT1543
Schuimreinigingsschoepen (2 stuks)	L	PT1513	PT1513	PT1514	PT1514
Schuimfilters	M	PT1735	PT1736	PT1737	PT1738
O-ring voor dekseldichting	P	PT1535	PT1535	PT1536	PT1536
Rubber O-ringen	aa	PT743	PT743	PT743	PT743

\* Zie productillustraties

## GARANTIE

**Om uw garantie te registreren, of voor meer informatie, surf u naar [www.hagen.com](http://www.hagen.com).** Dit product is gewaarborgd tegen materiaal- en productiefouten gedurende een periode van drie (3) jaar vanaf de aankoopdatum. Deze garantie is alleen geldig wanneer het product werkt in de normale omstandigheden waarvoor het bedoeld is. Deze garantie is niet van toepassing op toestellen die onderhevig waren aan verkeerd gebruik, nalatigheid, schokken, accidentele schade of schade als gevolg van een verkeerde verpakking of hantering tijdens het transport. Deze garantie dekt geen normale slijtage van onderdelen, en is niet van toepassing op toestellen die zijn gebruikt voor commerciële doeleinden. De UV-C-lamp valt niet onder de garantie. Bij verlies of schade aan dieren of persoonlijke bezittingen is aansprakelijkheid uitgesloten, ongeacht de oorzaak ervan. Deze garantie heeft geen effect op uw statutaire rechten. Deze garantie dekt geen schade of defecten die worden veroorzaakt door of het resultaat zijn van schade door transport of herstellingen, bijstand of wijzigingen aan het product of onderdelen ervan, die zijn uitgevoerd door een hersteller die hiervoor geen toelating heeft van Rolf. C. Hagen Inc.

## RECYCLAGE

Op dit toestel staat het symbool van de selectieve afvalsortering van elektrische en elektronische apparaten (WEEE). Dit betekent dat het product moet worden verwerkt conform de Europese Richtlijn 2002/96/EG om te worden gerecycleerd of ontmanteld met het oog op een minimale impact op het milieu. Voor meer informatie kunt u terecht bij uw lokale of regionale overheid. Elektronische producten die niet worden opgenomen in het afvalsorteerproces, kunnen gevaarlijk zijn voor het milieu en de gezondheid door de aanwezigheid van schadelijke stoffen.



## SERVICE

If you have a problem or question about the operation of this product, please let us try to help you before you return the product. Most problems can be handled promptly over the phone. When you call, please have all relevant information, such as model number and/or part numbers.

### Call our Customer Service Department:

**CANADA ONLY:** Toll Free Number 1-800-55HAGEN (1-800-554-2436) Between 9:00 AM and 4:30 PM Eastern Time.

**U.S. ONLY:** Toll Free Number 1-800-724-2436 Between 9:00 AM and 4:00 PM Eastern Time.

**U.K. ONLY:** Freephone Number 01977 556622 Between 9:00 AM and 5:00 PM.

### AUTHORIZED WARRANTY REPAIR SERVICE

If this product is defective, return it along with proof of purchase to either the store where you bought it or to:

**Canada:** Rolf C Hagen Inc., 20500 Trans Canada Hwy, Baie d'Urfé, QC H9X 0A2

**Rolf C. Hagen Inc.:** 8770-24th Street, Edmonton AB T6P 1X8

**U.S.A.:** Rolf C. Hagen (U.S.A.) Corp., 305 Forbes Blvd, Mansfield, MA. 02048

**U.K.:** Rolf C. Hagen (UK) Ltd., California Dr, Whitwood Industrial Estate, Castleford, West Yorkshire WF10 5QH

**Malaysia:** Rolf C. Hagen (SEA) Sdn Bhd 43200 Cheras, Selangor D.E

### SERVICE APRÈS-VENTE

Si cet appareil vous semble défectueux ou que vous vous posez des questions quant à son fonctionnement, n'hésitez pas à communiquer avec nous avant de le retourner au marchand. Notre ligne téléphonique nous permet de régler la plupart des problèmes. S.V.P. ayez en main tous les renseignements pertinents (p. ex. le numéro du modèle ou de la pièce).

### Pour contacter notre service à la clientèle:

**SEULEMENT AU CANADA:** numéro sans frais 1 800 55HAGEN (1 800 554-2436)

Entre 9 h et 16 h 30 (HNE)

**SEULEMENT EN FRANCE :** 01 64 88 14 18 Entre 9 h et 16 h 45

### RÉPARATION D'UN ARTICLE SOUS GARANTIE

Si l'appareil est défectueux, le retourner avec une preuve d'achat à l'animalerie de votre région ou à:

**Canada :** Rolf C Hagen inc., 20500, Trans Canada Hwy, Baie d'Urfé, QC H9X 0A2

**France:** Hagen France SA., F-77388 Combs la Ville.

### KUNDENDIENST

Bei Problemen wenden Sie sich bitte an Ihren örtlichen Zoofachhändler oder den Kundendienst von HAGEN Deutschland GmbH & Co. KG, Lehmweg 99 - 105, D-25488 Holm, zu erreichen über [www.hagenservice.de](http://www.hagenservice.de) oder die Telefonnummer: 04103 / 960-0

### SERVICIO

Si tiene algún inconveniente o preguntas acerca del funcionamiento de este producto, permítanos ayudarlo antes de devolverlo. La mayoría de los problemas puede resolverse inmediatamente mediante una llamada. Cuando llame, tenga disponible toda la información importante, como el número del modelo o los números de las piezas.

### Llame a nuestro departamento de Servicio a la clientela.

**SOLO EN CANADÁ:** Línea gratuita 1-800-55HAGEN (1-800-554-2436)

Entre las 9.00 y las 16.30, hora del Este.

**SOLO EN EE. UU.:** Línea gratuita 1-800-724-2436

Entre las 9.00 y las 16.00, hora del Este.

**SOLO EN EL REINO UNIDO:** Línea gratuita 01977 556622

Entre las 9.00 y las 17.00 horas.

### SERVICIO DE REPARACIÓN AUTORIZADO CON GARANTÍA

Si este producto resultase defectuoso, devuélvalo junto con la prueba de compra a la tienda donde fue adquirido o bien a:

**CANADÁ:** Rolf C Hagen Inc., 20500 Trans Canada Hwy, Baie d'Urfé, QC H9X 0A2.

**Rolf C. Hagen (USA) Corp.:** 8770-24th Street, Edmonton AB T6P 1X8.

**EE. UU.:** Rolf C. Hagen (U.S.A.) Corp., 305 Forbes Blvd, Mansfield, MA. 02048.

**REINO UNIDO:** Rolf C. Hagen (UK) Ltd., California, Dr. Whitwood Industrial Estate Castleford, West Yorkshire WF10 5QH.

**Spain:** Rolf C. Hagen España S.A., Av. de Beniparrell n. 11 y 13, 46460 Silla, Valencia.

For more information on service for your local area please visit: [www.lagunaponds.com](http://www.lagunaponds.com) and/or

[www.hagen.com](http://www.hagen.com)

Pour plus d'information sur les services accessibles dans votre région, veuillez visiter:

[www.lagunaponds.com](http://www.lagunaponds.com) ou [www.hagen.com](http://www.hagen.com)

Weitere Informationen erhalten Sie auf [www.lagunaponds.com](http://www.lagunaponds.com): [www.hagen.com](http://www.hagen.com) oder auf

[www.hagenservice.de](http://www.hagenservice.de)

Para obtener más información sobre el servicio para su área local, visite: [www.lagunaponds.com](http://www.lagunaponds.com)

y/o [www.hagen.com](http://www.hagen.com)

Para mais informações no serviço da sua área local visite: [www.lagunaponds.com](http://www.lagunaponds.com) e/ou

[www.hagen.com](http://www.hagen.com)

Meer informatie over de service voor uw regio vindt u op: [www.lagunaponds.com](http://www.lagunaponds.com) en/of

[www.hagen.com](http://www.hagen.com)



Distributed by:

Canada: Rolf C. Hagen Inc., Montreal, QC H9X 0A2

U.S.A.: Rolf C. Hagen (U.S.A.) Corp., Mansfield, MA. 02048

U.K.: Rolf C. Hagen (U.K.) Ltd., Castleford, W. Yorkshire WF10 5QH

France: Hagen France SA., F-77388 Combs la Ville.

Germany: Hagen Deutschland GmbH & Co. KG, 25488 Holm

Spain: Rolf C. Hagen España S.A., Av. de Beniparrell n. 11 y 13,

46460 Silla, Valencia

Malaysia: Rolf C. Hagen (SEA) Sdn Bhd 43200 Cheras, Selangor D.E.

Printed in Italy

Laguna and Hagen are registered trademarks of Rolf C. Hagen Inc.

[www.lagunaponds.com](http://www.lagunaponds.com)