



GLO[®]

T5 HO

**GLO T5 HO LINEAR HIGH OUTPUT FLUORESCENT LIGHTING SYSTEM
INSTRUCTION MANUAL**

**MODE D'EMPLOI DU SYSTÈME
D'ÉCLAIRAGE FLUORESCENT LINÉAIRE GLO T5 HO DE HAUTE PERFORMANCE**

**GLO T5 HO LEISTUNGSSTARKES, LINEARES LEUCHTSTOFFRÖHREN-LICHTSYSTEM
GEBRAUCHSANLEITUNG**

**SISTEMA DE ILUMINACIÓN FLUORESCENTE LINEAL GLO T5 HO DE ALTO RENDIMIENTO
MANUAL DE INSTRUCCIONES**



GLO® T5 HO Linear Fluorescent Lighting System

Thank you for having purchased a GLO T5 HO High Output Linear Fluorescent Lighting System, we are positive you will appreciate your purchase decision.

This T5 HO High Output Linear Fluorescent Lighting System represent an excellent lighting choice for a variety of aquariums, both fresh and saltwater. Equipped with a T5 HO electronic ballast and polished aluminum reflector, high light levels are achieved by the GLO T5 HO Linear Fluorescent Lighting System. The integrated polished reflector will significantly increase light input into the aquarium. Planted aquariums employing CO₂ will enjoy spectacular plant growth rates with appropriate bulb spectrums such as Life Glo. Marine aquariums, including reef aquariums (note: Short polyp stony corals may require even higher light levels and intensities) will also benefit from this powerful lighting.

T5 HO lighting delivers the advantage of relatively low heat levels when considering the light generated while distributing light over a large area. Furthermore, this specific form of high

output lighting usually provides better long-term performance versus very high output fluorescent bulbs. The electronic ballast included within the GLO T5 HO Linear Fluorescent Lighting System not only contributes to optimal lighting performance but also to longevity of both the ballast itself and the bulb(s).

This GLO lighting system has been designed to enhance both your aquarium installation and surrounding environment.

For best results with your GLO T5 HO Linear Fluorescent Lighting System we highly recommend the use of GLO T5 HO fluorescent bulbs. GLO T5 HO fluorescent bulbs feature 3 distinct spectrums that have a proven track record, Life Glo, Power Glo and Marine Glo. Plants and corals will flourish and fish will look their best.

Please review this instruction manual to ensure the best long term performance from your new GLO T5 HO Linear Fluorescent Lighting System.

Système d'éclairage fluorescent linéaire GLO® T5 HO

Nous vous remercions d'avoir acheté un système d'éclairage fluorescent linéaire GLO® T5 HO de haute performance. Nous sommes assurés que vous apprécierez cet achat.

Le système d'éclairage fluorescent linéaire GLO® T5 HO de haute performance représente un excellent choix d'éclairage pour une variété d'aquariums, en eau douce ou en eau de mer. Le système d'éclairage fluorescent linéaire GLO® T5 HO équipé d'un ballast électronique T5 HO et d'un réflecteur brillant en aluminium fournira un niveau élevé d'éclairage. Le réflecteur brillant intégré augmentera l'éclairage de façon importante dans l'aquarium. Les aquariums avec plantes dans lesquels on utilise du CO₂ profiteront d'une croissance spectaculaire des plantes avec des tubes au spectre approprié tels que Life Glo. Les aquariums d'eau de mer, y compris les aquariums de récifs (note : les coraux durs à petits polypes peuvent avoir besoin d'une intensité très élevée de lumière) bénéficieront également de cet éclairage puissant.

L'éclairage T5 HO procure l'avantage d'une chaleur relativement peu élevée si on tient compte de la lumière produite quand elle est distribuée sur une grande surface.

De plus, cette forme précise d'éclairage haute performance fournit habituellement une meilleure performance à long terme vs des tubes fluorescents à très haute performance. Le ballast électronique inclus dans le système d'éclairage fluorescent linéaire GLO® T5 HO contribue non seulement à un rendement optimal de l'éclairage mais encore à la durée du ballast et du tube ou des tubes.

Ce système d'éclairage GLO a été conçu pour mettre en valeur votre aquarium et le milieu environnant.

Pour de meilleurs résultats avec votre système d'éclairage fluorescent linéaire GLO® T5 HO, nous recommandons fortement l'utilisation de tubes fluorescents GLO T5 HO. Ces tubes sont offerts en trois spectres distincts ayant fait leurs preuves : Life Glo, Power Glo et Marine Glo. Les plantes et les coraux s'épanouiront et les poissons seront à leur meilleur.

Prière de consulter ce mode d'emploi pour vous assurer du meilleur rendement à long terme de votre nouveau système d'éclairage fluorescent linéaire GLO® T5 HO.

GLO® T5 HO Lineares Leuchtstoffröhren-Lichtsystem

Vielen Dank für den Kauf eines GLO T5 HO leistungsstarken, linearen Leuchtstoffröhren-Lichtsystems. Mit diesem Lichtsystem werden Sie viel Freude haben.

Das T5 HO leistungsstarke, lineare Leuchtstoffröhren-Lichtsystem ist ein exzellentes Beleuchtungssystem für eine Vielzahl an Aquarien – sowohl Süß- als auch Meerwasseraquarien – das für einen hohen Lichtausstoß sorgt. Dieses System ist mit einem T5 HO Vorschaltgerät und einem hochglanzpolierten Aluminiumreflektor ausgerüstet. Der integrierte, hochglanzpolierte Reflektor erhöht den Lichtausstoß, der in das Aquarium geht, erheblich. Bepflanzte Aquarien, die mit CO₂-Systemen arbeiten, werden sich mit Aquarienleuchtstoffröhren mit einem passenden Spektrum, wie Life Glo, einem prächtigen Pflanzenwachstum erfreuen. Sowohl Meerwasseraquarien als auch Riffaquarien (Hinweis: Kleinpolypige Steinkorallen brauchen eventuell ein noch höheres Lichtniveau und –intensität) profitieren ebenfalls von dieser starken Lichtquelle.

Die T5 HO Beleuchtungssysteme bieten den Vorteil, dass sie viel Licht über eine große Fläche verteilen. Obwohl Sie jedoch so viel Licht produzieren, entsteht relativ wenig Wärme. Ferner

bietet diese spezielle Art der Hochleistungsbeleuchtung in der Regel eine bessere Langzeitleistung verglichen mit Leuchtstoffröhren mit einem hohen Ausstoß. Das im GLO T5 HO linearen Leuchtstoffröhren-Lichtsystem eingebaute elektronische Vorschaltgerät trägt nicht nur zur optimalen Beleuchtung, sondern auch zur Langlebigkeit sowohl des Vorschaltgerätes selbst als auch der Röhren bei.

Dieses GLO Beleuchtungssystem wurde konstruiert, um sowohl Ihre Aquarieninstallationen als auch die Aquarienumgebung zu verbessern.

Um beste Ergebnisse mit Ihrem GLO T5 HO linearen Leuchtstoffröhren-Lichtsystem zu erzielen, empfehlen wir Ihnen, GLO T5 HO Leuchtstoffröhren zu verwenden. Die GLO T5 HO Leuchtstoffröhren haben 3 deutlich ausgeprägte Spektren, die eine Erfolgsgeschichte aufweisen können: Life Glo, Power Glo und Marine Glo. Pflanzen und Korallen werden gedeihen und Fische werden in ihren prächtigsten Farben schillern.

Bitte halten Sie sich an die Gebrauchsanleitung, um die beste Langzeitleistung Ihres neuen GLO T5 HO linearen Leuchtstoffröhren-Lichtsystems zu gewährleisten.

Sistema de iluminación fluorescente lineal GLO® T5 HO de alto rendimiento

Gracias por haber adquirido un Sistema de iluminación fluorescente lineal GLO T5 HO de alto rendimiento. Estamos seguros que esta compra será de su entera satisfacción.

El Sistema de iluminación fluorescente lineal GLO T5 HO de alto rendimiento es una excelente elección para la iluminación de diversos acuarios de agua dulce y salada. Equipado con un reostato electrónico T5 HO de alto rendimiento y un reflector de aluminio pulido, el sistema emite niveles de luz de alta calidad. El reflector pulido integrado incrementará significativamente la emisión de luz en el acuario. Las plantas de acuario, que usan el CO₂, gozarán de niveles espectaculares de crecimiento gracias a los adecuados espectros luminosos de las bombillas de Life Glo. Los acuarios Marina, incluyendo los acuarios de arrecife (nota: los corales duros de pólipos cortos pueden requerir niveles de luz más altos e intensivos), también se beneficiarán con esta potente iluminación.

La iluminación T5 HO de alto rendimiento tiene la ventaja de emitir niveles de calor relativamente bajos, considerando que la luz generada se distribuye en un área extensa. Además, este tipo de iluminación brinda normalmente

un mejor rendimiento a largo plazo comparado con los tubos fluorescentes de muy alto rendimiento. El reostato electrónico incluido con el Sistema de iluminación no sólo contribuye a un rendimiento de iluminación óptimo, sino a la larga duración del reostato y de lo(s) tubo(s) fluorescente(s).

Este sistema de iluminación ha sido diseñado para realzar la apariencia de la instalación del acuario y el ambiente circundante.

Para mejores resultados con su Sistema de iluminación fluorescente lineal GLO T5 HO de alto rendimiento, le recomendamos el uso de tubos fluorescentes GLO T5 HO de alto rendimiento. Estos tubos fluorescentes traen 3 distintos espectros con rendimiento probado: Life GLO, Power GLO y Marina GLO. Las plantas y los corales florecerán mejor y los peces lucirán de maravilla.

Sírvase revisar y seguir lo indicado en el Manual de instrucciones para obtener el mejor rendimiento a largo plazo de su nuevo Sistema de iluminación fluorescente GLO T5 HO de alto rendimiento.

IMPORTANT SAFETY INSTRUCTIONS

WARNING: To guard against injury, basic safety precautions should be observed when handling the **GLO® T5 HO High Output Linear Fluorescent Lighting system** including the following:



1. For the complete enjoyment, use and understanding of this product **READ AND FOLLOW ALL SAFETY INSTRUCTIONS** and all important notices on the appliance before using. Failure to do so may result in damage to the unit.

WARNING: This appliance is **NOT** waterproof and **MUST** be protected from coming in contact with water.

2. **DANGER** – To avoid possible electrical shock, special care should be taken since water can be in close proximity to this equipment. For each of the following situations, do not attempt repairs yourself; return the appliance to an authorized service facility for service or discard the appliance.

A. If the appliance falls into the water, **DON'T** reach for it! First unplug it and then retrieve it. If the electrical components of the appliance get wet, unplug the appliance immediately.

B. Carefully examine the appliance after installation. It should not be plugged in if there is water on parts not intended to be wet.

C. Do not operate any appliance if it has a damaged electrical cord or plug, or if it is malfunctioning or if it is dropped or damaged in any manner. The electrical cord of this appliance cannot be replaced: if the electrical cord is damaged, the appliance should be discarded. Never cut the cord.

D. To avoid the possibility of the appliance plug or receptacle getting wet, position the appliance to one side of a wall mounted receptacle to prevent water from dripping onto the receptacle or plug. A “drip loop” (see illustration A) should be arranged by the user for the cord connecting appliance to a receptacle. The “drip loop” is that part of the cord below the level of the receptacle or the connector if an extension cord is used, to prevent water traveling along the cord and coming in contact with the receptacle. If the plug or receptacle does get wet, **DON'T** unplug the cord. Disconnect the fuse or circuit breaker that supplies power to the appliance. Then unplug and examine for presence of water in receptacle.

If an extension cord is necessary, a cord with a proper rating should be used. A cord rated for less amperes or watts than the appliance rating may overheat. Care should be taken to arrange the cord so that it will not be tripped over or pulled.

E. This fluorescent lighting system is supplied with a grounded plug and must only be connected to a properly grounded receptacle.

3. Close supervision is necessary when an appliance is used by or near children.

4. To avoid injury, do not contact moving parts or hot parts such as heaters, reflectors and lamp bulbs.

5. Always unplug an appliance from an outlet when not in use, before putting on or taking off parts, and before cleaning. Never yank cord to pull plug from outlet. Grasp the plug and pull to disconnect.

6. Do not use an appliance for other than intended use (i.e. don't use on swimming pools, garden ponds, bathrooms, etc.). The use of attachments not recommended or sold by the appliance manufacturer may cause an unsafe condition.

7. Do not install or store the appliance where it will be exposed to weather or to temperatures below freezing.

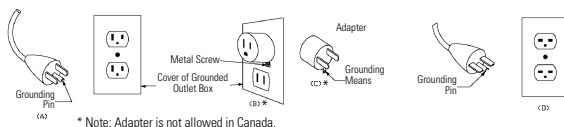
8. Make sure an appliance mounted on a tank is securely installed before operating it.

WARNING: Do not plug in the **GLO® T5 HO High Output Linear Fluorescent Lighting System** if there is water on parts not intended to be wet. Ensure sufficient air space around the **GLO® T5 HO High Output Linear Fluorescent Lighting System**. The safety of this appliance is granted only provided that the bulb(s) are properly installed.

9. Read and observe all the important notices on the appliance.

10. **GROUNDING INSTRUCTION:** This appliance should be grounded to minimize the possibility of electric shock. This appliance is equipped with an electric cord having an equipment grounding conductor and a grounding type plug. The plug must be plugged into an outlet that is installed and grounded in accordance with all appropriate codes and ordinances.

This appliance is for use on a nominal 120-volt circuit, and has a grounding plug that looks like the plug illustrated in (A) below. A temporary adapter which like the adapter illustrated in (B) and (C) below may be used to connect this plug to a two-pole receptacle as shown in (B) if a grounded outlet is not available. The temporary adapter should be used only until a grounded outlet can be installed by a qualified electrician. The green-colored rigid ear (lug, and the like) extending from the adapter must be fastened to a permanent ground such as a grounded outlet.



11. **SAVE THESE INSTRUCTIONS.** For the complete use and understanding of this High Output Linear Fluorescent Lighting System, it is recommended that this manual is thoroughly read and understood. Failure to do so may result in damage to this unit.

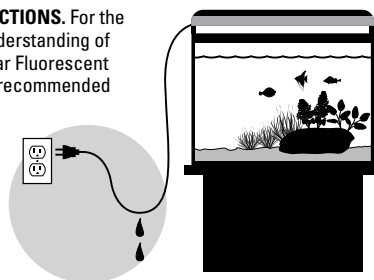


Illustration A

INSTALLATION

RECOMMENDATION: USE ONLY T5 HO FLUORESCENT BULBS. This equipment is FOR INDOOR USE ONLY. For convenient and controlled operations of this unit, it is recommended that you connect it to an approved grounded electric timer.

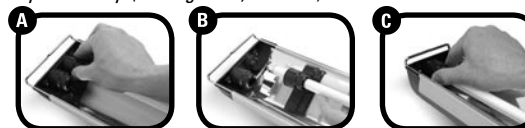
WARNING: Disconnect the plug of this unit and all other electrical equipment used for the aquarium, before placing your hands in aquarium water and/or performing any maintenance of any kind.

WARNING: Whenever installing, removing or changing fluorescent tubes or maintaining, installing or removing the **GLO® T5 HO High Output Linear Fluorescent Lighting System** or any other equipment, always ensure that it is unplugged.



Installing Tube

1. To install fluorescent tubes of the correct diameter and wattage, first unthread the water resistant end cap and slide it over each end of the bulb to be installed, then insert the bulb pins into the socket of the water resistant end cap. Carefully rotate the bulb within the water resistant socket until it positively locates at the quarter turn position. Slide the water resistant end cap onto the socket end where the bulbs ends are positioned and thread down the end caps securely, by hand only. (See figure A, B and C)



2. To install your **GLO® T5 HO Linear Fluorescent Lighting System** please be aware of the following options that are possible due to the included installation hardware:

Installation using the supplied Aquarium Mounting Brackets



1

WARNING: Ensure that the threaded end caps are hand tightened onto the threaded socket for a secure installation.

Included with your **GLO® T5 HO Linear Fluorescent Lighting System** are two aquarium mounting brackets. Place a mounting bracket on each end of your aquarium and secure by hand tightening. Unclick each bracket and install the metal bracket end of the lighting system, while supporting the unit adequately and maintaining it in a straight horizontal fashion, into one of the slots present located within the mounting bracket. Close the aquarium mounting brackets. (See figure 1)

Important Instructions

It is very important when changing the tube(s) (see Installing Tube section) that the socket end caps be reassembled correctly in order to ensure the integrity of the water resistant end cap.

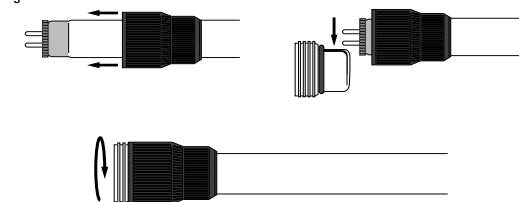
The diagrams below depict the correct assembly sequence for the water resistant end cap assembly. It is important that the O-rings and tube gaskets be assembled in the correct orientation and sequence.



Fig. 1



Fig. 2



When reassembling the water resistant end caps:

1. The socket seal O-ring must be in place on the socket receptacle as per the illustration. (See figure 1A)
2. Ensure that the end cap seal gasket is inserted into the end cap with the beveled edge facing outward. Seal gasket should be moistened with water before assembly. (See figure 1B)
3. If the inner retainer sleeve is removed during the disassembly of the end cap, it should then be re-inserted into the socket end cap. (See figure 1C)
4. The end cap assembly should then be placed over the bulb. The bulb should then be inserted into the socket receptacle. Then slide the end cap assembly down the fluorescent tube and thread onto the socket receptacle housing, hand tightened securely. Do not cross thread. (See figure 2)

INSTALLATION



Installation using Integrated Extension Brackets



2

Integrated into each end of your **GLO® T5 HO Linear Fluorescent Lighting System** is an extendable metal bracket with stopper, do not attempt to remove the brackets from your lighting system. You may install your lighting system as shown above or directly rest the metal brackets on each end of the aquarium. It is mandatory that the downward bent portion of the metal bracket is positioned against the outside of the aquarium. (See figure 2)

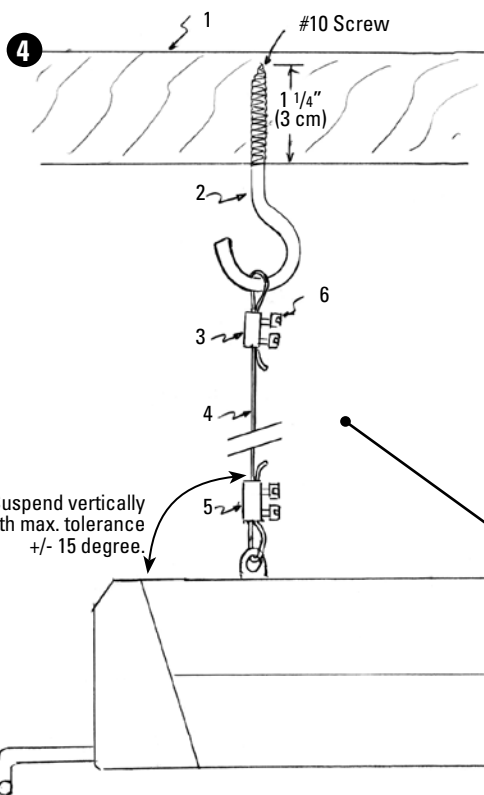
Installation using the supplied Suspension Kit



3

Incorporated into a channel situated at the top of your lighting system are two hanging tabs designed to support a suspended installation. Lift the tabs so that they are perpendicular to the lighting units. You may need to carefully pry up the tabs with a small suitably sized flathead screw driver.

When suspending the light unit first locate a solid wood surface of minimum 1 1/4" (3 cm) thickness above your aquarium. Please consult (figure 4) when following the installation instructions.



Screw the supplied hook screw into the wood so that the thread is fully immersed.

Attach the supplied suspension cable (fig.4 #4) to the lighting unit by sliding it through the supplied retention guides (fig.4 #3) and continuing through the integrated suspension tabs of the lighting unit. Then slide the supplied suspension cable (fig.4 #4) back through the retention guides (fig.4 #3) and securely fasten the retention guide (fig.4 #3) using the two supplied retention screws (fig.4 #5). To ensure a secure installation it is recommended that approximately 1/2" (1.27 cm) of suspension cable protrudes beyond the retention guide after the retention screws are securely fastened.

Use hook to support chain, not the electrical cord.

Repeat the same process as above without sliding the suspension cable through the integrated suspension tabs of the light unit and use the resulting loops to suspend the lighting unit from the supplied screw hook (fig.4 #2) above your aquarium.

The **GLO T5 HO Linear Fluorescent Lighting System** must be installed when suspending the unit using only the supplied suspension kit hardware.

It is strongly recommended that the supplied hook screw is mounted into a solid wood surface that is a minimum of 1 1/4" (3 cm) thick. Do not install on radiant heating type ceiling.

Suspension Kit Components-(Part 2 to 5)

1. Solid wood surface of minimum 1 1/4" (3 cm) thickness.
2. Supplied hook screw.
3. Supplied retention guides.
4. Supplied steel suspension cable.
5. Supplied retention screws.
6. Hanging tabs are adjustable to allow proper alignment with supplied screw hooks.

INSTALLATION



3. **GLO® T5 HO Linear Fluorescent Lighting Systems** are suitable for installation on the following aquarium lengths only:
 - 24" (61cm) single and double **GLO® T5 HO Linear Fluorescent Lighting System**: Aquariums 23" (58cm) to 40" (102cm).
 - 36" (91cm) single and double **GLO® T5 HO Linear Fluorescent Lighting System**: Aquariums 35" (89cm) to 52" (132cm).
 - 48" (122cm) single and double **GLO® T5 HO Linear Fluorescent Lighting System**: Aquariums 46" (117cm) to 64" (163cm).

MAINTENANCE:

WARNING: Always unplug all electrical aquarium accessories when placing hands, etc., in water. The electrical supply cords of this lighting system cannot be replaced. **This fluorescent lighting system has no user serviceable parts.**

CLEANING THE UNIT:

1. Do not place the **GLO® T5 HO High Output Linear Fluorescent Lighting System** near aquarium filter outputs or expose it to water spray or humidity. Do not submerge in water.
2. No special maintenance is required for the **GLO® T5 HO High Output Linear Fluorescent Lighting System**, other than periodic cleaning with a cloth (never use harsh chemical products or detergents). To remove calcareous deposits, it is recommended to use a mild acid such as vinegar, followed by a thorough wipe down with a damp cloth to remove any residues.
3. It is strongly recommended to always follow all the precautions and procedures outlined in both the Important Safe Guards and Installation Instructions.

MESURES DE SÉCURITÉ IMPORTANTES

AVERTISSEMENT : Pour éviter toute blessure, il faut observer des précautions élémentaires de sécurité lors de la manipulation du système d'éclairage fluorescent linéaire GLO® T5 HO, notamment les suivantes :



1. Afin de profiter pleinement de cet appareil, de l'utiliser et de le comprendre, il faut **LIRE ET RESPECTER TOUTES LES CONSIGNES DE SÉCURITÉ** avant usage, ainsi que tous les avis importants apparaissant sur l'appareil. Tout manquement à ces précautions pourrait entraîner des dommages à l'appareil.

MISE EN GARDE : Cet appareil **N'EST PAS** étanche et **DOIT** être protégé de tout contact avec l'eau.

2. **DANGER** – Pour éviter tout risque d'électrocution, une attention spéciale doit être portée en raison de l'utilisation d'eau avec l'aquarium. Dans chacune des situations suivantes, ne pas essayer de réparer l'appareil soi-même; le retourner plutôt à un service de réparations autorisé ou le jeter.

A. Si l'appareil tombe dans l'eau, **NE PAS** le ramasser! Il faut d'abord le débrancher puis le récupérer. Si des pièces électriques de l'appareil se mouillent, débrancher immédiatement l'appareil.

B. Examiner avec attention l'appareil après l'installation. Il ne devrait pas être branché en présence d'eau sur des pièces ne devant pas être mouillées.

C. Ne pas faire fonctionner un appareil dont le cordon ou la fiche est endommagé, qui ne fonctionne pas correctement ou qui est tombé ou a été endommagé d'une quelconque manière. Le cordon d'alimentation de cet appareil ne peut pas être remplacé; si le cordon est endommagé, il faut jeter l'appareil. Ne jamais couper le cordon.

D. Afin d'éviter que la fiche ou la prise de courant de l'appareil soit mouillée, placer l'appareil d'un côté de la prise de courant murale et faire en sorte que l'eau ne s'égoutte pas sur la prise ou la fiche. Une « boucle d'égouttement » (voir illustration A) devrait être formée pour joindre l'appareil à la prise de courant. La « boucle d'égouttement » est la partie du cordon se trouvant sous la prise de courant ou le raccord, si une rallonge est utilisée, afin d'empêcher l'eau de glisser le long du cordon et d'entrer en contact avec la prise de courant. Si la fiche ou la prise de courant est mouillée, **NE PAS** débrancher l'appareil. Mettre d'abord hors circuit le fusible ou le disjoncteur qui fournit l'électricité au filtre et le débrancher ensuite. Vérifier qu'il n'y a pas d'eau dans la prise.

Si une rallonge électrique est nécessaire, vérifier qu'elle est d'un calibre suffisant. Un cordon électrique de moins d'ampères ou de watts que l'appareil peut surchauffer. Des précautions doivent être prises afin d'éviter qu'on tire la rallonge ou qu'on trébuché dessus.

E. Ce système d'éclairage fluorescent est équipé d'une fiche de mise à la terre et ne doit être branché qu'à une prise de courant correctement mise à la terre.

3. Il est nécessaire de surveiller étroitement les enfants qui utilisent cet appareil ou qui s'en trouvent à proximité.

4. Pour éviter toute blessure, ne toucher aucune pièce mobile ou chaude telle que des chauffe-eau, réflecteurs et ampoules.

5. Toujours débrancher un appareil quand il n'est pas utilisé, avant d'insérer ou de retirer des pièces et avant de le nettoyer. Ne jamais tirer sur le cordon d'alimentation pour débrancher l'appareil mais plutôt prendre la fiche entre les doigts et tirer.

6. Ne pas employer un appareil pour un usage autre que celui prévu (c.-à-d. : ne pas l'utiliser dans des piscines, des jardins aquatiques, des salles de bains, etc.). L'emploi de fixations non recommandées ou non vendues par le fabricant de l'appareil peut être source de situations dangereuses.

7. Ne pas installer ou ranger l'appareil où il sera exposé aux intempéries ou à des températures sous le point de congélation.

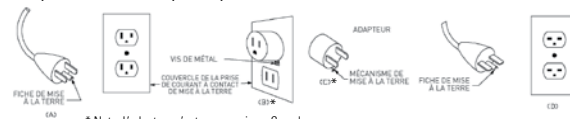
8. S'assurer qu'un appareil monté sur un aquarium est solidement installé avant de le faire fonctionner.

MISE EN GARDE : ne pas brancher le système d'éclairage fluorescent linéaire GLO® T5 HO de haute performance en présence d'eau sur des pièces ne devant pas être mouillées. Vérifier qu'il y a suffisamment d'espace pour l'air autour du système d'éclairage fluorescent linéaire GLO® T5 HO de haute performance. La sécurité de cet appareil est acquise seulement à condition que le tube ou les tubes soient correctement installés.

9. Lire et observer tous les avis importants apparaissant sur l'appareil.

10. **INSTRUCTIONS DE MISE À LA TERRE :** cet appareil devrait être mis à la terre afin de minimiser la possibilité de choc électrique. Il est équipé d'un cordon électrique ayant un conducteur de terre et une fiche de mise à la terre. Celle-ci doit être branchée dans une prise de courant installée et mise à la terre conformément à tous les codes et les ordonnances appropriés.

Cet appareil doit être utilisé avec un circuit nominal de 120 volts et est muni d'une fiche de mise à la terre semblable à celle qui est illustrée ci-dessous à (A). Un adaptateur temporaire identique à celui qui est montré ci-dessous à (B) et (C) peut être employé pour brancher cette fiche à une prise de courant à deux pôles tel qu'il est décrit à (B) si une prise de courant à contact de mise à la terre n'est pas disponible. L'adaptateur temporaire ne devrait être utilisé que jusqu'à ce qu'une prise de courant à contact de mise à la terre soit installée par un électricien qualifié. La languette rigide verte (languette de contact et autre de même type) se prolongeant à partir de l'adaptateur doit être attachée à une mise à la terre permanente telle qu'une prise de courant à contact de mise à la terre.



* Note: L'adaptateur n'est pas permis au Canada.

11. **CONSERVER CES INSTRUCTIONS.** Afin d'utiliser et de comprendre entièrement ce système d'éclairage fluorescent linéaire de haute performance, il est recommandé de lire minutieusement et de comprendre ce manuel. Tout manquement à ces précautions pourrait entraîner des dommages à l'appareil.

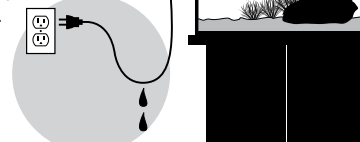


Illustration A

INSTALLATION

RECOMMANDATION : UTILISER SEULEMENT DES TUBES FLUORESCENTS T5 HO. Cet équipement est POUR USAGE À L'INTÉRIEUR SEULEMENT. Pour un fonctionnement commode et contrôlé de cet appareil, il est recommandé de le brancher à une minuterie électrique de mise à la terre approuvée.

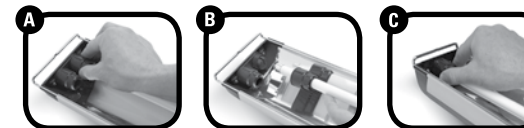
MISE EN GARDE : Débrancher cet appareil et tout l'équipement électrique utilisé pour l'aquarium avant de mettre les mains dans l'eau d'aquarium ou d'effectuer quelque entretien que ce soit.

MISE EN GARDE : Avant d'installer, d'enlever ou de changer des tubes fluorescents ou d'entretenir, d'installer ou de retirer le système d'éclairage fluorescent linéaire GLO® T5 HO de haute performance ou tout autre équipement, toujours s'assurer que le tout est débranché.



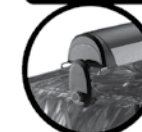
Installation des tubes

1. **Pour installer des tubes fluorescents** d'un diamètre et d'une puissance en watts conformes, dévisser d'abord les bouchons de fermeture imperméables et les glisser ensuite à chaque extrémité du tube à installer; après, insérer les broches du tube dans les douilles des bouchons de fermeture imperméables. Tourner soigneusement le tube dans la douille imperméable jusqu'à ce qu'il se place convenablement au quart de tour. Glisser les bouchons de fermeture imperméables sur les douilles des tubes et les visser solidement, à la main seulement. (Voir fig. A, B et C.)



2. Pour installer votre système d'éclairage fluorescent linéaire GLO® T5 HO de haute performance veuillez vous renseigner sur les options suivantes en raison de la quincaillerie incluse :

Installation à l'aide des supports de montage à l'aquarium



1

Votre système d'éclairage fluorescent linéaire GLO® T5 HO comprend deux supports de montage à l'aquarium. Placer un support de montage à chaque extrémité de votre aquarium et le fixer solidement en serrant à la main. Ouvrir chaque support et y installer les rallonges de métal du système d'éclairage tout en le supportant convenablement et en le gardant en position horizontale; déposer les rallonges dans les ouvertures présentes dans les supports. Fermer ces derniers. (Voir fig. 1.)

MISE EN GARDE : S'assurer que les bouchons de fermeture filetés sont serrés à la main sur les douilles filetées pour une installation solide.

Instructions importantes

Il est très important, lorsqu'on change le tube ou les tubes (voir la section Installation des tubes fluorescents), d'assembler de nouveau correctement les bouchons de fermeture imperméables des douilles afin d'assurer leur entière efficacité.

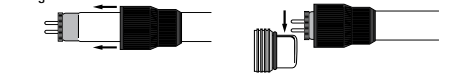
Les schémas ci-dessous représentent l'assemblage correct d'un bouchon de fermeture imperméable. Il importe que les joints d'étanchéité et les bouchons recouvrant les tubes soient assemblés dans le bon ordre.



Fig. 1



Fig. 2



Quand on assemble de nouveau les bouchons de fermeture imperméables :

1. Le joint d'étanchéité de la douille doit être en place sur celle-ci tel qu'il est illustré. (voir fig. 1A)
2. S'assurer que le joint d'étanchéité du bouchon de fermeture est inséré dans celui-ci avec son bord biseauté dirigé vers l'extérieur. Le joint d'étanchéité devrait être humecté avec de l'eau avant l'assemblage. (voir fig. 1B)
3. Si le manchon intérieur de retenue est enlevé au cours du désassemblage du bouchon de fermeture, il devrait être réinséré dans le bouchon de fermeture de la douille. (voir fig. 1C)
4. L'assemblage du bouchon de fermeture devrait ensuite être placé sur le tube et celui-ci devrait être inséré dans la douille. Il faut par la suite glisser l'assemblage du bouchon de fermeture sur le tube fluorescent et visser le tout sur la douille, en serrant solidement à la main. Il ne faut pas fausser le filetage. (voir fig. 2)

INSTALLATION



Installation à l'aide des supports de rallonge intégrés



2

À chaque extrémité de votre système d'éclairage fluorescent linéaire GLO® T5 HO se trouvent un support de métal servant de rallonge et un butoir. On ne doit pas essayer d'enlever les supports du système d'éclairage. On peut installer le système d'éclairage tel qu'il est montré ci-dessus ou déposer les supports de métal directement sur chaque extrémité de l'aquarium. Il est obligatoire que la portion courbée vers le bas du support de métal touche à l'extérieur de l'aquarium. (Voir fig. 2.)

Installation à l'aide de la trousse de suspension incluse



3

Deux œillets de suspension conçus pour suspendre le système sont incorporés dans une rainure située sur le dessus du système d'éclairage. Soulever les œillets pour qu'ils soient perpendiculaires au système. Vous aurez probablement à soulever soigneusement les œillets avec un petit tournevis à tête plate. **Lorsqu'on suspend le système d'éclairage, on doit d'abord localiser une surface en bois solide d'un minimum de 3 cm (1 1/4") d'épaisseur au-dessus de l'aquarium. Prière de consulter la figure 4 pour suivre les instructions d'installation.**

Visser la vis à crochet fournie dans le bois de telle sorte que son filetage soit complètement à l'intérieur.

Attacher le câble de suspension fourni (fig. 4 n° 4) au système d'éclairage en le glissant dans le guide de maintien fourni (fig. 4 n° 3) et ensuite dans l'œillet de suspension intégré dans le système d'éclairage. Glisser de nouveau le câble de suspension fourni (fig. 4 n° 4) dans le guide de maintien (fig. 4 n° 3) et attacher solidement le guide de maintien (fig. 4 n° 3) à l'aide des deux vis de maintien fournies (fig. 4 n° 5). Afin d'assurer une installation solide, il est recommandé de faire dépasser environ 1,27 cm (1/2") du câble de suspension en dehors du guide de maintien, une fois les vis de maintien solidement attachées.

Utiliser le crochet pour soutenir le câble et non le cordon électrique.

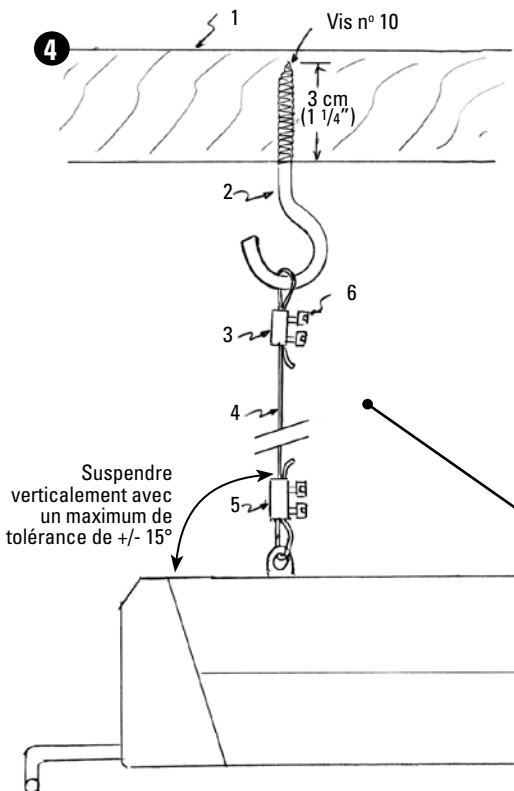
Répéter la même procédure que ci-dessus sans glisser le câble de suspension dans l'œillet de suspension intégré du système d'éclairage et employer la boucle ainsi formée pour suspendre le système à l'aide de la vis à crochet fournie (fig. 4 n° 2) au-dessus de votre aquarium.

Le système d'éclairage fluorescent linéaire GLO® T5 HO doit être suspendu uniquement à l'aide de la trousse de suspension fournie.

Il est fortement recommandé de monter la vis à crochet fournie sur une surface en bois solide d'un minimum de 3 cm (1 1/4") d'épaisseur. Ne pas installer sur un plafond de chaleur rayonnante.

Pièces de la trousse de suspension (pièces 2 à 5)

1. Surface en bois solide d'un minimum de 3 cm (1 1/4") d'épaisseur.
2. Vis à crochet fournie.
3. Guides de maintien fournis.
4. Câble de suspension en acier fourni.
5. Vis de maintien fournies.
6. Les œillets de suspension sont réglables pour permettre un alignement correct avec les vis à crochet fournies.



INSTALLATION



3. Les systèmes d'éclairage fluorescent linéaire GLO® T5 HO conviennent à l'installation sur les longueurs d'aquarium suivantes seulement :
 - **Système d'éclairage fluorescent linéaire GLO® T5 HO** de 61 cm (24") à un tube et à deux tubes : pour aquariums de 58 cm (23") à 102 cm (40");
 - **Système d'éclairage fluorescent linéaire GLO® T5 HO** de 91 cm (36") à un tube et à deux tubes : pour aquariums de 89 cm (35") à 132 cm (52");
 - **Système d'éclairage fluorescent linéaire GLO® T5 HO** de 122 cm (48") à un tube et à deux tubes : pour aquariums de 117 cm (46") à 163 cm (64").

ENTRETIEN :

MISE EN GARDE : Toujours débrancher tous les accessoires électriques de l'aquarium avant de placer les mains, etc., dans l'eau. Le cordon électrique de ce système d'éclairage ne peut être remplacé. **Ce système d'éclairage fluorescent ne contient aucune pièce pouvant être réparée par l'utilisateur.**

NETTOYAGE DE L'APPAREIL :

1. Ne pas placer le système d'éclairage fluorescent linéaire GLO® T5 HO de haute performance près des sorties d'eau d'un filtre pour aquarium ni l'exposer à de l'eau diffusée ou à de l'humidité. Ne pas le submerger dans l'eau.
2. Aucun entretien spécial n'est requis pour le système d'éclairage fluorescent linéaire GLO® T5 HO de haute performance sauf un nettoyage périodique avec un linge (ne jamais utiliser des produits chimiques ou des détergents corrosifs). Afin d'enlever les dépôts calcaires, il est recommandé d'utiliser un acide doux tel que du vinaigre et de bien essuyer ensuite avec un linge humide pour retirer tout résidu.
3. Il est vivement conseillé de toujours observer toutes les précautions et les procédures décrites dans les Mesures de sécurité importantes et dans les Instructions d'installation.

WICHTIGE SICHERHEITSHINWEISE

WARNUNG: Zum Schutz vor Verletzungen sind grundlegende Sicherheitsvorkehrungen zu beachten, einschließlich der folgenden Hinweise:



1. Um dieses Produkt voll genießen, benutzen und verstehen zu können, **LESEN UND BEFOLGEN SIE ALLE SICHERHEITSHINWEISE** und alle wichtigen Hinweise auf dem Gerät vor der Inbetriebnahme des Gerätes. Bei Nichtbeachtung kann dies zu Schäden an diesem Gerät führen.

WARNUNG: Dieses Gerät ist **NICHT** wasserdicht und darf nicht mit Wasser in Berührung kommen.

2. **GEFAHR** – Um einen möglichen elektrischen Schlag zu vermeiden, sollten Sie besonders vorsichtig sein, weil bei der Benutzung dieses Gerätes in dessen Nähe Wasser verwendet wird. Wenn eine der nachfolgenden Situationen eintritt, sollten Sie nicht versuchen, das Gerät selber zu reparieren, sondern dieses an eine autorisierte Kundendienststelle zur Reparatur geben oder das Gerät entsorgen.

A. Wenn das Gerät ins Wasser fällt, **NICHT** danach greifen! Erst die Netzsteckverbindung lösen und dann das Gerät herausnehmen. Wenn die elektrischen Teile des Gerätes nass werden, sofort die Netzsteckverbindung lösen.

B. Gerät nach dem Einbau sorgfältig überprüfen. Es darf nicht an das Stromnetz angeschlossen werden, wenn sich Wasser auf Teilen befindet, die nicht nass werden dürfen.

C. Kein Gerät mit beschädigtem Netzkabel oder beschädigtem Stecker benutzen oder wenn dieses nicht richtig funktioniert oder heruntergefallen oder anderweitig beschädigt wurde. Die Netzschnur dieses Gerätes kann nicht ausgetauscht werden; wenn die Schnur beschädigt ist, sollte das Gerät weggeworfen werden. Niemals die Schnur abschneiden.

D. Um die Möglichkeit auszuschließen, dass der Gerätestecker oder die Steckdose nass werden, soll das Gerät neben einer Wandsteckdose so angeordnet werden, dass kein Wasser auf Steckdose oder Stecker tropfen kann. Eine „Tropfschleife“ (siehe Abbildung A) sollte zur Steckdose hin gebildet werden. Die „Tropfschleife“ ist der Teil des Netzkabels, der unter dem Niveau der Steckdose oder der Anschlussdose bei Verwendung einer Verlängerungsschnur liegt. Damit wird verhindert, dass Wasser die Schnur entlang wandert und mit der Steckdose in Berührung kommt. Wenn der Stecker oder Steckdose nass werden, Netzkabel **NICHT** aus der Steckdose ziehen. Sicherung oder Sicherungsschalter des Stromkreises für das Gerät ausschalten. Erst danach das Netzkabel herausziehen und die Steckdose auf Vorhandensein von Wasser überprüfen.

Wenn ein Verlängerungskabel benötigt wird, muss ein Kabel geeigneter Leistung benutzt werden. Ein Verlängerungskabel mit einer kleineren Ampere- oder Wattzahl als das Gerät kann sich überhitzen. Achten Sie darauf, das Verlängerungskabel so zu verlegen, dass man nicht darüber stolpert oder es herauszieht.

E. Dieses Leuchtstoffröhren-Lichtsystem ist mit einem geerdeten Stecker ausgerüstet und darf nur mit einer ordnungsgemäß geerdeten Steckdose verbunden werden.

- Sorgfältige Aufsicht ist notwendig, wenn das Gerät von Kindern oder in der Nähe von Kindern benutzt wird.
- Zur Vermeidung von Verletzungen keine heißen oder beweglichen Teile, wie Heizer, Reflektoren oder Lampen, berühren.
- Trennen Sie immer alle Geräte vom Stromnetz, wenn sie nicht in Gebrauch sind, bevor Teile angebracht oder entfernt werden und vor der Reinigung. Nicht am Netzkabel ziehen, um den Stecker aus der Steckdose zu lösen. Immer am Stecker anfassen und herausziehen.
- Benutzen Sie das Gerät nur für den vorgesehenen Verwendungszweck (d.h. nicht für Swimming Pools, Gartenteiche, Badezimmer usw.). Die Verwendung von Anbauteilen, die nicht vom Gerätehersteller empfohlen oder verkauft werden, kann zu einem unsicheren Betriebszustand führen.
- Installieren oder lagern Sie das Gerät nicht an Stellen, an denen es der Witterung oder Temperaturen unter dem Frostpunkt ausgesetzt ist.
- Achten Sie darauf, dass das Gerät sicher am Becken installiert ist, bevor es in Betrieb genommen wird.

WARNUNG: Das GLO® T5 HO leistungsstarke, lineare Leuchtstoffröhren-Lichtsystem darf nicht an das Stromnetz angeschlossen werden, wenn sich Wasser auf Teilen befindet, die nicht nass werden dürfen. Achten Sie darauf, dass sich um das GLO® T5 HO leistungsstarke, lineare Leuchtstoffröhren-Lichtsystem ausreichend Luftraum befindet. Die Sicherheit des Gerätes ist nur gewährleistet, wenn die Leuchtstoffröhren korrekt installiert sind.

- Lesen und beachten Sie alle wichtigen Hinweise auf dem Gerät.
- ERDUNG:** Das Gerät sollte zur Vermeidung von elektrischen Schlägen geerdet sein. Das Netzkabel dieses Gerätes ist sowohl mit einem Schutzleiter als auch mit einem Schukostecker ausgestattet. Der Stecker muss mit einer Steckdose verbunden werden, die ordnungsgemäß installiert und geerdet ist.
- BEWAHREN SIE DIESE ANLEITUNG AUF.** Zur vollständigen Nutzung und zum Verständnis dieses GLO® T5 HO leistungsstarken, linearen Leuchtstoffröhren-Lichtsystems wird empfohlen, diese Anleitung gründlich zu lesen und zu verstehen, da sonst Schäden an der Einheit entstehen können.

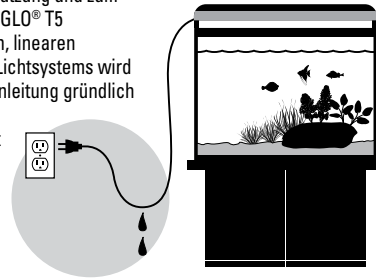


Abbildung A

INSTALLATION

EMPFEHLUNG: Verwenden Sie nur **T5 HO Leuchtstoffröhren**. Dieses Gerät ist nur für den Gebrauch in **GESCHLOSSENEN RÄUMEN** geeignet. Für einen praktischen und ordnungsgemäßen Betrieb dieser Einheit ist es empfehlenswert, das Lichtsystem mit einer zugelassenen, geerdeten, elektrischen Zeitschaltuhr zu verbinden.

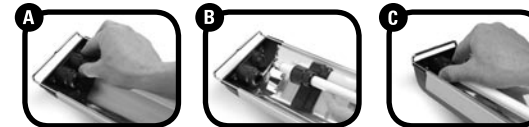
WARNUNG: Trennen Sie immer dieses Gerät und alle anderen, die im Aquarium in Gebrauch sind, vom Stromnetz, bevor Sie die Hände ins Wasser halten und/oder bevor Sie eine Wartung durchführen.

WARNUNG: Achten Sie darauf, dass elektrische Geräte vom Stromnetz getrennt sind, wenn Sie eine Leuchtstoffröhre montieren, entfernen oder auswechseln oder wenn Sie das **GLO T5 HO leistungsstarke, lineare Leuchtstoffröhren-Lichtsystem** oder andere Geräte warten, montieren oder entfernen.



Installation einer Leuchtstoffröhre

- Um eine Leuchtstoffröhre mit dem korrekten Durchmesser und der korrekten Wattzahl zu installieren, müssen Sie zuerst die wasserdichten Endkappen herausdrehen und diese dann über die Enden der zu installierenden Leuchtstoffröhre schieben; die Anschlussstifte der Leuchtstoffröhre müssen in die wasserdichten Endkappen gesteckt werden. Drehen Sie die Leuchtstoffröhre dann vorsichtig in den wasserdichten Endkappen, bis sie nach einer viertel Umdrehung ordnungsgemäß sitzt. Schieben Sie die wasserdichten Endkappen in den Anschluss, in denen die Enden der Leuchtstoffröhre positioniert werden und drehen Sie die Endkappen sicher mit der Hand (!) ein (s. Abbildung A, B und C).



- Um ein **GLO T5 HO lineares Leuchtstoffröhren-Lichtsystem** zu installieren, seien Sie sich bitte über die folgenden Optionen bewusst, die aufgrund der enthaltenen Montageteile möglich sind:

Installation mit den Aquarien-Montageklammern

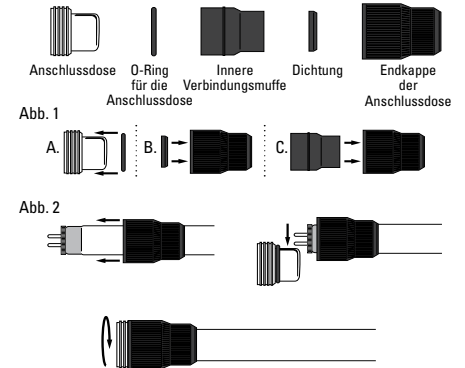
- Im Lieferumfang des GLO T5 HO linearen Leuchtstoffröhren-Lichtsystems sind zwei Aquarien-Montageklammern enthalten. Setzen Sie eine Montageklammer auf jedes Ende Ihres Aquariums und befestigen Sie diese mit der Hand. Öffnen Sie die Klammern und installieren Sie die Metallklammern an den Enden des Lichtsystems in den Kerben, die sich auf den Montageklammern befinden. Halten Sie die Einheit dabei so fest, dass sie horizontal bleibt. Danach schließen Sie die Aquarien-Montageklammern wieder (siehe Abbildung 1).

Warnung: Achten Sie darauf, dass die Endkappen für eine sichere Installation mit der Hand in der Fassung festgedreht wurden.

Wichtige Hinweise

Wenn Sie eine Leuchtstoffröhre wechseln (siehe Abschnitt „Installation einer Leuchtstoffröhre“), ist es sehr wichtig, dass die Endkappen in der Anschlussdose ordnungsgemäß angebracht sind, damit die Integrität der wasserdichten Endkappen sichergestellt ist.

Die Abbildungen unten stellen die korrekte Anordnung für den Zusammenbau der wasserdichten Endkappen dar. Es ist wichtig, dass die O-Ringe und die Dichtung in der richtigen Ausrichtung und Anordnung angebracht werden.



Erneuter Zusammenbau der wasserdichten Endkappen:

- Der O-Ring für die Anschlussdose muss ordnungsgemäß auf der Anschlussdose sitzen (gemäß Abb. 1A).
- Achten Sie darauf, dass die Dichtung der Endkappe mit der schrägen Kante nach außen in die Endkappe gesteckt wird. Vor der Montage sollte die Dichtung mit Wasser befeuchtet werden. (siehe Abb. 1B)
- Wenn Sie die innere Verbindungsmuffe während des Auseinanderbaus von der Endkappe entfernt haben, sollte sie nun wieder auf die Endkappe der Anschlussdose gesteckt werden. (siehe Abb. 1C)
- Das Endkappenbauteil sollte nun über der Leuchtstoffröhre platziert werden. Die Leuchtstoffröhre sollte nun in die Anschlussdose gesteckt werden. Schieben Sie dann das Endkappenbauteil über die Leuchtstoffröhre und drehen Sie sie dann vorsichtig mit der Hand auf dem Gehäuse der Anschlussdose fest. Drehen Sie sie nicht schief auf. (siehe Abb. 2)

INSTALLATION



Installation mit den ausziehbaren Metallklammern



2

An jedem Ende Ihres GLO T5 HO linearen Leuchtstoffröhren-Lichtsystems befindet sich eine ausziehbare Metallklammer mit Stopper. Versuchen Sie nicht, diese Klammern von dem Lichtsystem abzunehmen. Sie können Ihr Lichtsystem wie oben gezeigt installieren oder die Metallklammern direkt auf jeder Seite Ihres Aquariums belassen. Es ist **unbedingt notwendig**, dass der nach unten gebogene Teil der Metallklammern an der Außenseite des Aquariums installiert wird (s. Abbildung 2).

Hängende Installation



3

In einem Kanal auf der Oberseite Ihres Lichtsystems befinden sich zwei Aufhängungen, um eine hängende Installation zu ermöglichen. Heben Sie die Aufhängungen an, sodass sie senkrecht zu der Lichteinheit sind. Eventuell müssen Sie die Aufhängungen vorsichtig mit einem angemessenen, kleinen Schlitzschraubendreher herausdrücken.

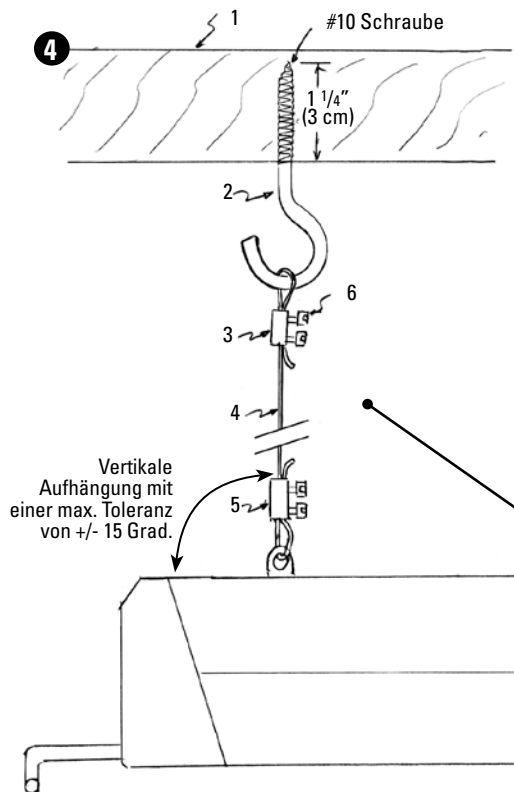
Wenn Sie das Lichtsystem hängend installieren möchten, müssen Sie zuerst eine feste, mindestens 3 cm dicke Holzfläche über Ihrem Aquarium fixieren. Siehe Abbildung 4 zur Installationsanleitung.

Drehen Sie den mitgelieferten Schraubenhaken in das Holz, bis das Gewinde vollständig eingedreht ist.

Befestigen Sie das mitgelieferte Kabel (Abb. 4 # 4) an dem Lichtsystem, indem Sie es durch die mitgelieferten Rückhalteklammern (Abb. 4 # 3) und durch die Aufhängungen an dem Lichtsystem ziehen. Ziehen Sie das Kabel (Abb. 4 # 4) dann erneut durch die Rückhalteklammern (Abb. 4 # 3). Ziehen Sie dann die Schrauben (Abb. 4 # 5) an den Rückhalteklammern (Abb. 4 # 3) fest, sodass sie sicher geschlossen sind. Für eine sichere Installation ist es empfehlenswert, dass ca. 1,5 cm des Kabels aus den Rückhalteklammern hervorstehen, nachdem die Schrauben sicher festgedreht wurden.

Benutzen Sie den Haken, um die Kette zu unterstützen und nicht das Netzkabel.

Gehen Sie wie oben beschrieben vor, ohne das Kabel durch die Aufhängungen an dem Lichtsystem zu ziehen. Mit der entstehenden Schlaufe können Sie das Lichtsystem an dem mitgelieferten Schraubenhaken (Abb. 4 # 2) über Ihrem Aquarium aufhängen.



Das lineare GLO T5 HO Leuchtstoffröhren-Lichtsystem darf aufgehängt installiert werden, wenn das mitgelieferte Material für die Aufhängung benutzt wird.

Es ist empfehlenswert, den mitgelieferten Schraubenhaken in eine feste, mindestens 3 cm dicke Holzfläche zu drehen. Installieren Sie die Einheit nicht an einer heizungsähnlichen Decke.

Material für die hängende Installation (Teil 2 bis 5)

1. Feste, mindestens 3 cm dicke Holzfläche
2. Mitgelieferte Schraubenhaken
3. Mitgelieferte Rückhalteklammern
4. Mitgeliefertes Stahlkabel
5. Mitgelieferte Rückhalteschrauben
6. Aufhängungen sind anpassbar, um sie ordnungsgemäß zu den Schraubenhaken auszurichten

INSTALLATION



3. Das lineare GLO T5 HO Leuchtstoffröhren-Lichtsystem ist nur für die Installation über den folgenden Aquarienlängen geeignet:

- 61 cm einfaches und doppeltes, lineares GLO T5 HO Leuchtstoffröhren-Lichtsystem: Aquarien zwischen 58 und 102 cm.
- 91 cm einfaches und doppeltes, lineares GLO T5 HO Leuchtstoffröhren-Lichtsystem: Aquarien zwischen 89 und 132 cm.
- 122 cm einfaches und doppeltes, lineares GLO T5 HO Leuchtstoffröhren-Lichtsystem: Aquarien zwischen 117 und 163 cm.

WARTUNG:

WARNUNG: Trennen Sie immer alle elektrischen Geräte, die im Aquarium in Gebrauch sind, vom Stromnetz, bevor Sie die Hände etc. ins Wasser halten. Die Netzschnur dieses Beleuchtungssystems kann nicht ausgewechselt werden. **Dieses Lichtsystem hat keine Teile, die vom Benutzer repariert werden können.**

REINIGUNG DER EINHEIT:

1. Positionieren Sie das GLO® T5 HO leistungsstarke, lineare Leuchtstoffröhren-Lichtsystem nicht in der Nähe von Auslässen von Aquarienfiltern und setzen Sie es keinen Wasserspritzern oder Feuchtigkeit aus. Tauchen Sie es nicht unter Wasser.
2. Für das GLO® T5 HO leistungsstarke, lineare Leuchtstoffröhren-Lichtsystem ist keine besondere Wartung notwendig. Es muss nur regelmäßig mit einem Lappen abgewischt werden (benutzen Sie niemals aggressive chemische Produkte oder Reinigungsmittel). Um kalkhaltige Ablagerungen zu entfernen, ist es empfehlenswert, eine milde Säure, z.B. Essig, zu benutzen und diese dann gründlich mit einem feuchten Lappen abzuwischen, damit keine Rückstände zurückbleiben.
3. Es wird dringend empfohlen, immer alle Vorsichtsmaßnahmen und -vorgehensweisen zu befolgen, die sowohl in den WICHTIGEN SICHERHEITSHINWEISEN als auch in den MONTAGEANLEITUNGEN hervorgehoben werden.

MEDIDAS DE SEGURIDAD IMPORTANTES

ADVERTENCIA: para prevenir cualquier daño, es necesario cumplir con todas las precauciones de seguridad básicas al manipular el **Sistema de iluminación fluorescente GLO® T5 HO** de alto rendimiento, incluyendo las siguientes:



1. A fin de poder disfrutar de este producto, usarlo y entender su funcionamiento **LEA Y SIGA TODAS ESTAS MEDIDAS DE SEGURIDAD** y todas las informaciones importantes, antes de utilizar el aparato. De lo contrario podría ocasionar daños a la unidad.

ADVERTENCIA: este aparato **NO** es resistente al agua y **DEBE** ser protegido si entra en contacto con ella.

2. **PELIGRO** – Para evitar un posible choque eléctrico, se deben tomar medidas de seguridad especiales, dado que el agua puede estar cerca de este equipo. En cada una de las situaciones siguientes, no intente realizar usted mismo las reparaciones; devuelva el aparato a un servicio autorizado o deséchelo.

A. Si el aparato se cae al agua, **NO LO RESCATE** inmediatamente. Primero desenchúfelo y luego sáquelo. Si los componentes eléctricos del aparato se mojan, desenchúfelo inmediatamente.

B. Revise cuidadosamente el aparato después de instalarlo. Si hay agua en las piezas que no deben mojarse, no lo enchufe.

C. No haga funcionar ningún aparato cuyo cable o enchufe estén dañados, que no funcione apropiadamente o que se haya caído o dañado de alguna manera. El cable de este aparato no puede ser reemplazado; si se daña, el aparato deberá desecharse. Nunca corte el cable.

D. Para evitar la posibilidad de que el enchufe o el tomacorriente se mojen, coloque el aparato al costado de un tomacorriente de pared; de esta manera, impedirá que el agua gotee en el tomacorriente o el enchufe. Deberá acomodar un "lazo de goteo" (ver la figura A) para conectar el cable del aparato al tomacorriente. El "lazo de goteo" es la parte del cable, debajo del nivel del tomacorriente o el conector (si usa una extensión), que impide que el agua se deslice por el cable y entre al tomacorriente. Si el enchufe o el tomacorriente se mojan, **NO** desenchufe el cable. Desconecte el fusible o el disyuntor que provee de energía al aparato. Luego, desenchufe y observe si hay presencia de agua en el tomacorriente.

Si necesita una extensión, utilice una con un calibre apropiado. Un cable para un amperaje o vataje inferior al de la unidad puede sobrecalentarse. Se debe tener cuidado de colocar el cable de tal manera que nadie pueda tropezar con él ni tirar del mismo.

E. Este sistema de iluminación fluorescente viene provisto con un enchufe de conexión a tierra y deberá conectarse únicamente a un receptáculo a tierra apropiado.

3. Es necesario supervisar de cerca a los niños cuando hacen funcionar un aparato o están cerca del mismo.

4. Para evitar lesiones, no toque las piezas calientes.

5. Desenchufe siempre el aparato del tomacorriente cuando no está en uso, antes de colocarlo o sacarle piezas y antes de limpiarlo. Nunca tire del cable para desenchufar el aparato. Tómelo del enchufe y jale para desconectar.

6. Siempre utilice el aparato para la función a la que haya sido destinado (no lo utilice en piscinas, en estanques de jardín, baños u otros). El empleo de accesorios no recomendados ni vendidos por el fabricante del aparato puede crear situaciones peligrosas.

7. No instale ni guarde el aparato expuesto a la intemperie o a temperaturas bajo cero.

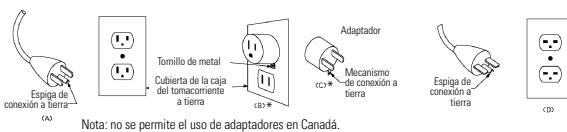
8. Cerciérese de que el aparato montado en el tanque haya sido bien instalado antes de empezar a usarlo.

ADVERTENCIA: no enchufe el **Sistema de iluminación fluorescente lineal GLO® T5 HO** de alto rendimiento si hay agua en las piezas que no deben mojarse. Asegúrese de crear suficiente espacio de aire alrededor del **Sistema de iluminación fluorescente lineal GLO® T5 HO** de alto rendimiento. Se garantiza la seguridad de este aparato únicamente si el(los) tubo(s) fluorescente(s) está(n) instalado(s) apropiadamente.

9. Lea y cumpla todos los avisos importantes detallados en la unidad.

10. **INSTRUCCIONES – CONEXIÓN A TIERRA:** Esta unidad deberá conectarse a tierra para reducir las posibilidades de un choque eléctrico. Esta unidad está equipada con un cordón eléctrico con un conductor y un enchufe con conexión a tierra. El enchufe deberá conectarse a un tomacorriente instalado y con conexión a tierra según los códigos y ordenanzas apropiadas.

Esta unidad es para uso en circuito nominal de 120 voltios y tiene un enchufe a tierra que se ve como (A). Un adaptador temporal como lo muestra (B) y (C) podría usarse para conectar este enchufe a un receptáculo de dos polos como (B) si no se dispone de un tomacorriente a tierra. El adaptador temporal deberá usarse únicamente hasta que un electricista calificado pueda instalar un tomacorriente a tierra. La oreja rígida de color verde (como agarradera) que se extiende desde el adaptador deberá sujetarse por ejemplo a un tomacorriente de tierra.



Nota: no se permite el uso de adaptadores en Canadá.

11. CONSERVE ESTAS INSTRUCCIONES.

Para usar y entender adecuadamente el funcionamiento de este Sistema de iluminación fluorescente, se recomienda leer con atención todo este manual. De lo contrario podría ocasionar daños a la unidad.



Figura A

INSTALACIÓN

RECOMENDACIÓN: USE ÚNICAMENTE CON TUBOS FLUORESCENTES T5 DE ALTO RENDIMIENTO. Este equipo es PARA USO EN INTERIORES ÚNICAMENTE. Para el funcionamiento apropiado y controlado de esta unidad, se recomienda que la conecte a un dispositivo de tiempo eléctrico a tierra aprobado.

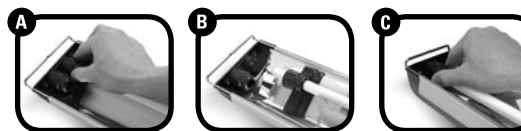
ADVERTENCIA: desconecte el enchufe de la unidad o de cualquier otro equipo eléctrico para acuario, antes de introducir las manos en el acuario o realizar cualquier tipo de mantenimiento.

ADVERTENCIA: cerciérese de que el equipo esté desenchufado al realizar la instalación, desinstalación y el cambio de los tubos fluorescentes o el mantenimiento, la instalación y desinstalación del **Sistema de iluminación fluorescente lineal GLO T5 HO** de alto rendimiento o cualquier otro equipo.



Instalación de los tubos fluorescentes

1. Para instalar los tubos fluorescentes de diámetro y vataje correctos; primero, desenrosque los tapones herméticos y colóquelos en cada extremo del tubo fluorescente que será instalado. Luego, inserte las espigas del tubo en los zócalos de los tapones herméticos. Con cuidado, gire el tubo fluorescente en un cuarto de vuelta, hasta que encaje correctamente en los zócalos. Coloque los tapones herméticos en los zócalos, en cada extremo del tubo, y enrósque los tapones, asegurándolos únicamente con la mano. (Ver las figuras A, B y C)



2. Para instalar el **Sistema de iluminación fluorescente lineal GLO T5 HO** de alto rendimiento, considere las siguientes opciones posibles gracias a los herrajes de instalación provistos que se describen a continuación:

Instalación con los soportes para montar en acuario provistos

Se incluyen dos soportes para montar en acuario con su **Sistema de iluminación fluorescente lineal GLO T5 HO** de alto rendimiento. Coloque un soporte en cada extremo de su acuario y asegúrelo manualmente. Abra cada soporte e instale la pieza de sujeción de metal del sistema de iluminación en cada una de las ranuras del soporte; mientras sostiene la unidad adecuadamente y la mantiene en posición horizontal. Cierre los soportes para montar en acuario. (Ver figura 1)

ADVERTENCIA: para lograr una instalación segura, cerciérese de que los tapones roscados estén bien asegurados a los portatapones.

Instrucciones importantes

Cuando se cambia(n) el(los) fluorescente(s) (ver la Sección "Instalar los fluorescentes"), es muy importante que los tapones del portalámpara se vuelvan a ensamblar correctamente para asegurar la hermeticidad del tapón.

Las ilustraciones siguientes describen la apropiada secuencia de montaje del tapón hermético. Es imprescindible que las juntas tóricas y las juntas herméticas del fluorescente se coloquen en la dirección y secuencia correctas.



Fig. 1



Fig. 2



Cuando ensamble de nuevo los tapones herméticos:

1. Deberá colocar la junta tórica en el receptáculo del portalámpara como se muestra en la ilustración. (Ver fig. 1A)
2. Cerciérese de que la junta hermética esté insertada en el tapón del portalámpara con el borde biselado hacia afuera y que se le haya humedecido con agua antes del ensamble. (Ver fig. 1B)
3. Si durante el desmontaje del tapón se ha sacado el manguito de retención interno, deberá insertarlo nuevamente en el tapón del portalámpara. (Ver fig. 1C)
4. Deberá pasar el montaje por el fluorescente y luego insertar el fluorescente en el receptáculo del portalámpara. Deslice el montaje del tapón hacia el extremo del fluorescente y enrósquelo en la caja del receptáculo, ajustando bien con la mano. Siga la orientación de los filetes. (Ver fig. 2)

INSTALACIÓN



Instalación con el soporte de extensión integrado



Integrado en cada extremo de su **Sistema de iluminación fluorescente lineal GLO T5 HO** de alto rendimiento, se encuentra un soporte de metal extensible con un tapón. No intente sacar las piezas del sistema de iluminación. Puede instalar su sistema de iluminación como se muestra en la ilustración anterior o colocar las piezas de metal directamente en cada extremo del acuario. Es indispensable que la parte del soporte de metal doblada hacia abajo se coloque mirando hacia afuera del acuario. (Ver figura 2)

2

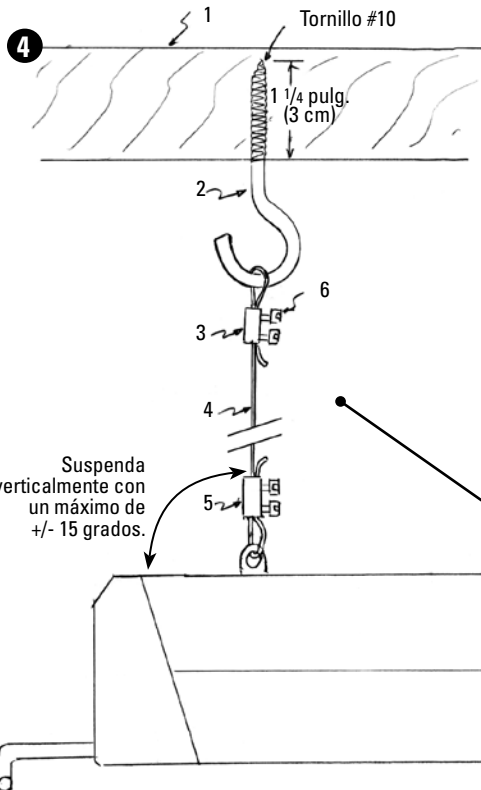
Instalación con el Kit de suspensión provisto



Dos lengüetas para colgar, incorporadas en el canal de la parte superior del sistema de iluminación y diseñadas para sostener una instalación suspendida. Levante las lengüetas de manera que estén perpendiculares a la unidad. Para levantarlas con cuidado, necesitará usar un destornillador plano de tamaño adecuado.

Cuando suspenda la unidad, primero localice una superficie de madera sólida de un grosor mínimo de 1 1/4 pulg. (3 cm) sobre el acuario. Consulte la figura 4 cuando siga las instrucciones de instalación.

3



Atornille el gancho de tornillo en la madera, de manera que la rosca se introduzca completamente. Sujete el cable de suspensión provisto (fig. 4 #4) a la unidad, al deslizarlo a través de las guías de retención provistas (fig. 4 #3) y las lengüetas de suspensión integradas de la unidad de iluminación. Luego, pase de regreso el cable de suspensión (fig. 4 #4) por las guías (fig. 4 #3) y sujételas (fig. 4 #3) con los dos tornillos de retención provistos (fig. 4 #5). Para obtener una instalación segura, se recomienda que aproximadamente 1/2 pulg. (1,27 cm) del cable de suspensión sobresalga por la guía luego de asegurar muy bien los tornillos.

Utilice el gancho para sostener la cadena, no el cordón eléctrico.

Repita el mismo procedimiento que se muestra abajo, sin deslizar el cable de suspensión a través de las lengüetas de la unidad y use los lazos resultantes para suspender la unidad del gancho de tornillo (fig. 4 #2) sobre su acuario.

El **Sistema de iluminación fluorescente lineal GLO T5 HO** de alto rendimiento deberá instalarse, cuando suspenda la unidad, únicamente con el herraje de suspensión provisto.

Se recomienda que el gancho de tornillo se coloque en una superficie de madera sólida con un mínimo de grosor de 1 1/4 pulg. (3 cm). No instale a un techo tipo radiante.

Piezas para el Kit de suspensión (2 a 5)

1. Superficie de madera sólida con un grosor mínimo de 1 1/4 pulg. (3 cm).
2. Gancho tornillo provisto.
3. Guías de retención provistas.
4. Cable de suspensión de acero provisto.
5. Tornillos de retención provistos.
6. Las lengüetas de suspensión se regulan para permitir una alineación adecuada con los ganchos de tornillo.

INSTALACIÓN



3. Los **Sistemas de iluminación fluorescente lineal GLO T5 HO** de alto rendimiento deberán instalarse únicamente en los siguientes tamaños de acuarios:

- 24 pulg. (61 cm) **Sistema de iluminación lineal simple y doble T5 HO GLO®**: Acuarios de 23 pulg. (58 cm) a 40 pulg. (102 cm).
- 36 pulg. (91 cm) **Sistema de iluminación lineal simple y doble T5 HO GLO®**: Acuarios de 35 pulg. (89 cm) a 52 pulg. (132 cm).
- 48 pulg. (122 cm) **Sistema de iluminación lineal simple y doble T5 HO GLO®**: Acuarios 46 pulg. (117 cm) a 64 pulg. (163 cm).

MANTENIMIENTO:

ADVERTENCIA: siempre desenchufe todos los accesorios eléctricos del acuario cuando introduzca las manos en el agua. Los cables eléctricos de este sistema de iluminación no pueden reemplazarse.

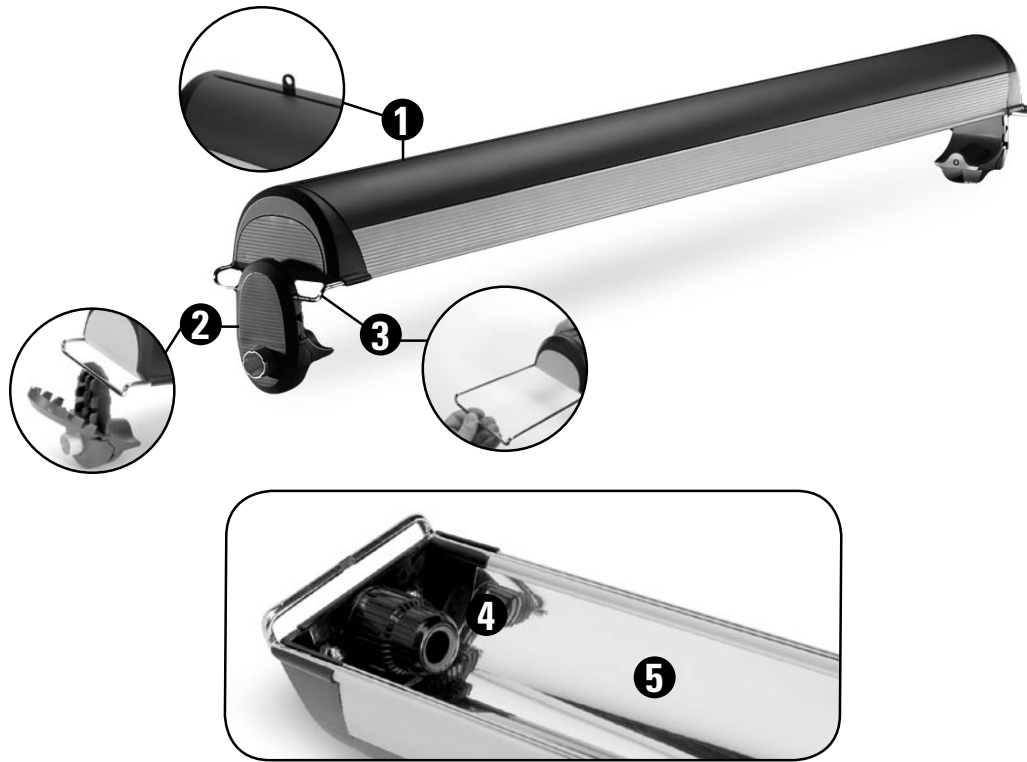
Este sistema de iluminación fluorescente no tiene piezas que el usuario pueda reparar.

LIMPIEZA DE LA UNIDAD:

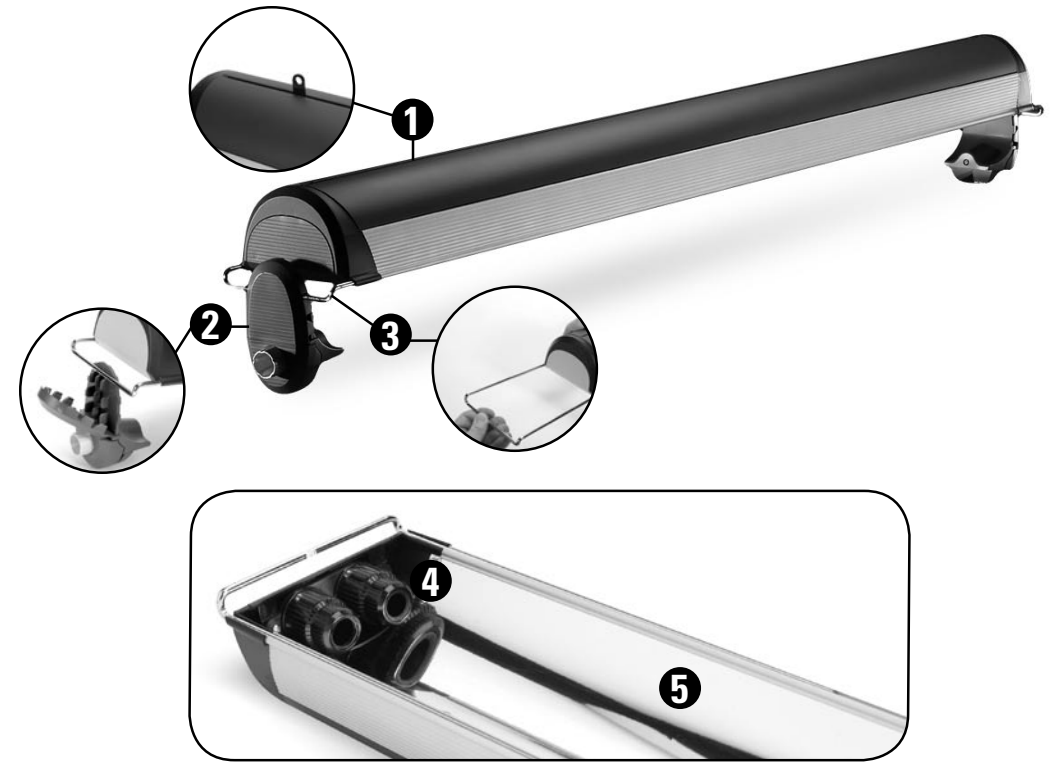
1. No coloque el **Sistema de iluminación fluorescente lineal GLO® T5 HO** de alto rendimiento cerca de salidas filtrantes del acuario ni lo exponga a salpicaduras de agua ni a humedad. No lo sumerja en el agua.
2. El **Sistema de iluminación fluorescente lineal GLO® T5 HO** de alto rendimiento no requiere mantenimiento especial más que el de una limpieza periódica con un paño (nunca utilice productos químicos o detergentes abrasivos). Para quitar depósitos calcáreos, es recomendable utilizar un ácido suave, como el vinagre; seguido de una limpieza con un paño húmedo para retirar cualquier residuo.
3. Es muy recomendable seguir todas las precauciones y procedimientos indicados tanto en las Medidas de seguridad importantes como en las secciones de Instrucciones de instalación.



SINGLE LIGHT HIGH OUTPUT
UN TUBE À ÉCLAIRAGE HAUTE PERFORMANCE
LEISTUNGSSTARKES, LINEARES LEUCHTSTOFFRÖHREN-LICHTSYSTEM
LUZ SIMPLE DE ALTO RENDIMIENTO



DOUBLE LIGHT HIGH OUTPUT
DEUX TUBES À ÉCLAIRAGE HAUTE PERFORMANCE
LEISTUNGSSTARKES LINEARES LEUCHTSTOFFRÖHREN-LICHTSYSTEM
LUZ DOBLE DE ALTO RENDIMIENTO



| | ENGLISH | FRANÇAIS | DEUTSCH | ESPAÑOL |
|----------|-------------------------------|------------------------------------|---|----------------------------------|
| 1 | Hanging Tabs | Pattes de suspension | Aufhängung | Lengüetas de suspensión |
| 2 | Mounting Brackets | Supports de montage | Montageklammern | Soportes para montar |
| 3 | Integrated Extension Brackets | Supports de rallonge intégrés | Integrierte, ausziehbare Metallklammern | Soportes de extensión integrados |
| 4 | Water Resistant End Caps | Bouchons de fermeture imperméables | Wasserdichte Endkappen | Tapones herméticos |
| 5 | Highly Polished Reflector | Réflecteur extrêmement brillant | Hochglanzverspiegelter Lichtreflektor | Reflector altamente pulido |

| | ENGLISH | FRANÇAIS | DEUTSCH | ESPAÑOL |
|----------|-------------------------------|------------------------------------|---|----------------------------------|
| 1 | Hanging Tabs | Pattes de suspension | Aufhängung | Lengüetas de suspensión |
| 2 | Mounting Brackets | Supports de montage | Montageklammern | Soportes para montar |
| 3 | Integrated Extension Brackets | Supports de rallonge intégrés | Integrierte, ausziehbare Metallklammern | Soportes de extensión integrados |
| 4 | Water Resistant End Caps | Bouchons de fermeture imperméables | Wasserdichte Endkappen | Tapones herméticos |
| 5 | Highly Polished Reflector | Réflecteur extrêmement brillant | Hochglanzverspiegelter Lichtreflektor | Reflector altamente pulido |



GUARANTEE:

The product is guaranteed for defects in material and workmanship for a 2 year period from date of purchase. The guarantee is limited to repair or replacement of the unit only and excludes damage to any animate or inanimate matter in contact with the unit. It excludes any damage caused by unreasonable use, improper installation or abuse of the unit. For guarantee service or spare parts contact your local pet dealer or write to the representative in your country.

GARANTIE :

L'appareil est garanti contre les défauts de matériel et de main-d'œuvre pour une période de deux ans à partir de la date d'achat. La garantie est limitée à la réparation ou au remplacement de l'appareil seulement et exclut tout dommage aux objets animés ou inanimés en contact avec l'appareil. La garantie exclut tout dommage causé par un usage abusif ou une installation incorrecte de l'appareil. Pour le service offert par la garantie ou pour des pièces de rechange, prière de contacter votre détaillant d'animalerie local ou d'écrire au représentant de votre pays.

GARANTIE:

Dieses Produkt hat eine uneingeschränkte Garantie auf Mängel in Material und Verarbeitung für die Dauer von zwei Jahren ab Kaufdatum. Diese Garantie ist begrenzt auf Reparatur oder Ersatz und schließt Schäden an Personen oder Gegenständen, die durch Berührung mit dem Vorschaltgerät entstehen, aus. Ausgeschlossen sind außerdem alle Schäden, die durch unsachgemäße Verwendung oder Missbrauch des Vorschaltgerätes verursacht werden. Für Garantieleistung oder Ersatzteile wenden Sie sich bitte an Ihren örtlichen Zoofachhändler oder schreiben Sie an den Vertreter in Ihrem Land.

GARANTÍA:

Este producto está cubierto por una garantía de 2 años a partir de la fecha de su compra, en caso de defectos en el material o en la fabricación del mismo. Esta garantía está limitada a la reparación o la sustitución del aparato únicamente y excluye daños ocasionados a seres vivos u objetos que estén en contacto con la unidad. Asimismo, excluye los daños causados por uso inadecuado, instalación inapropiada o abuso a dicho aparato. Para obtener el servicio de garantía o accesorios, comuníquese con su tienda de mascotas local o escriba al representante de su país.



WARRANTY REGISTRATION CARD / FICHE DE GARANTIE GARANTIE-REGISTRIERUNGSKARTE / TARJETA DE REGISTRO DE GARANTÍA

Return to validate warranty. To help us serve you better, please fill out and return this Registration card.
Or register your model on our web site (www.hagen.com)

Retourner pour valider la garantie. Afin de nous aider à mieux vous servir, veuillez remplir et retourner cette fiche de garantie.
Ou bien, vous pouvez enregistrer le modèle sur notre site Web (www.hagen.com)

Damit wir Sie besser betreuen können, füllen Sie bitte diese Registrierungskarte aus und schicken Sie sie an uns zurück.
Falls Sie dies vorziehen, können Sie sich stattdessen auch auf unserer Website unter www.hagen.com registrieren.

A fin de que podamos brindarle un mejor servicio, sírvase llenar y enviarnos esta Tarjeta de registro de garantía.
Puede también registrar el modelo de su producto directamente en nuestro sitio Web www.hagen.com.

Name, Nom, Name
Nombre y apellidos

Address, Adresse,
Anschrift, Dirección

City, Ville,
Stadt, Ciudad Postal/Zip Code, Code postal,
Postleitzahl, Código postal

Telephone, Téléphone,
Telefonnummer, Teléfono

Date of purchase, Date de l'achat,
Kaufdatum, Fecha de adquisición Store, Magasin,
Geschäft, Tienda

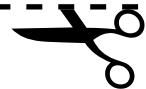
| | Art. # | 24W | Art. # | 39W | Art. # | 54W |
|---------------------|---------------------------------|-------------|---------------------------------|-------------|---------------------------------|--------------|
| SINGLE LIGHT | <input type="checkbox"/> A-3900 | 24" (61 cm) | <input type="checkbox"/> A-3901 | 36" (91 cm) | <input type="checkbox"/> A-3902 | 48" (122 cm) |
| DOUBLE LIGHT | <input type="checkbox"/> A-3910 | 24" (61 cm) | <input type="checkbox"/> A-3911 | 36" (91 cm) | <input type="checkbox"/> A-3912 | 48" (122 cm) |







Rolf C. Hagen Inc.,



Distributed by/Distribué par :

U.S.A.: **Rolf C. Hagen (U.S.A.) Corp.**, 305 Forbes Boulevard Mansfield, Massachusetts 02048

Canada: **Rolf C. Hagen Inc.**, 20500 Trans Canada Hwy, Baie D'Urfé QC H9X 0A2

U.K.: **Rolf C. Hagen (U.K.) Ltd.**, California Dr. Whitwood Industrial Estate Castleford, West Yorkshire WF10 5QH

Germany: **HAGEN Deutschland GmbH & Co. KG**, 25488 Holm

France: **Hagen France SA.**, Parisud 4, Boulevard Jean Monnet, F-77388 Combs la Ville

Spain: **Rolf C. Hagen España S.A.**, Av. De Beniparrell n. 11 y 13 Poligon Industrial L'Altero 46460 Silla, Valencia

Malaysia: **Rolf C. Hagen (SEA) Sdn.Bhd.**, Lot 14A, Jalan 3A, Kawasan Perusahaan Cheras Jaya, Balaking, 43200 Cheras, Selangor Darul Ehsan